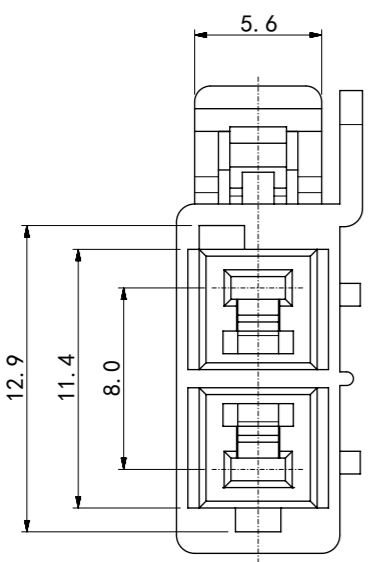
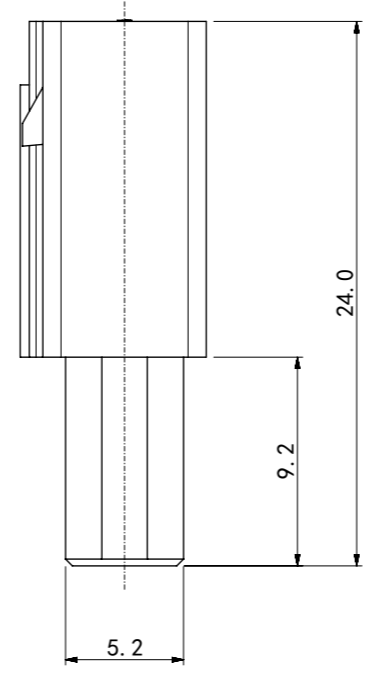
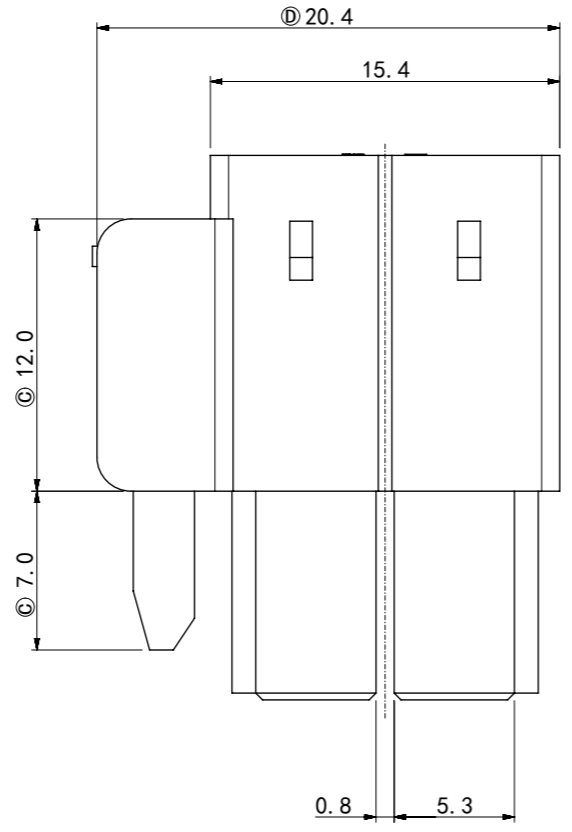
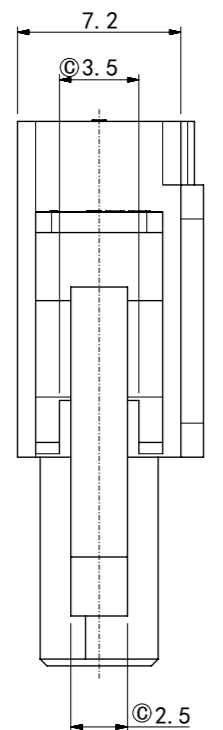
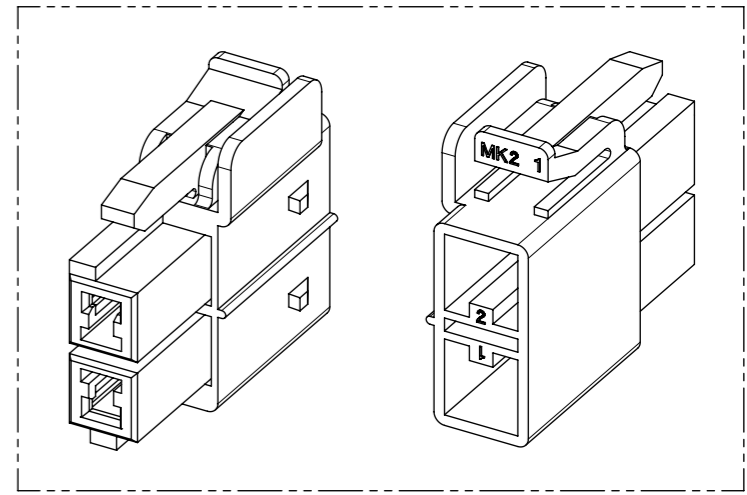


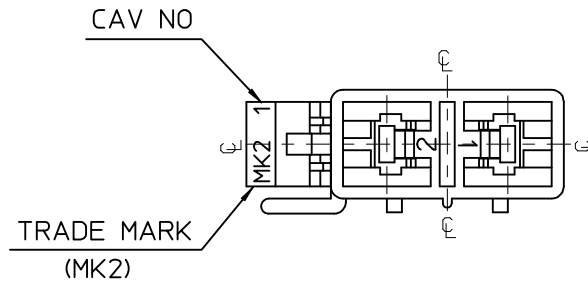
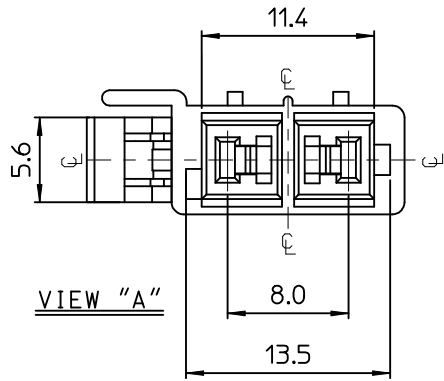
NOTE

1. MATERIAL & COLOR : SEE TABLE
2. MATED HOSUING : 35180-*40* / 35180-*60*
3. APPLICABLE TERMINAL : 35746-0*10
4. MATED TPA : 35965-029*
5. PRODUCT SPECIFICATION : PS 351800400 / 351800600
6. PACKAGING SPECIFICATION : PK-35965-001



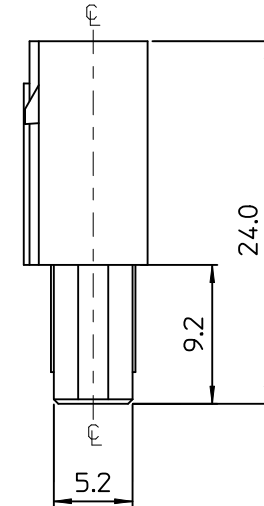
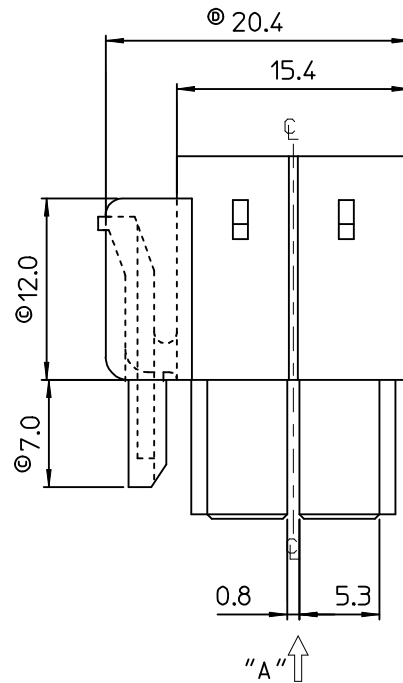
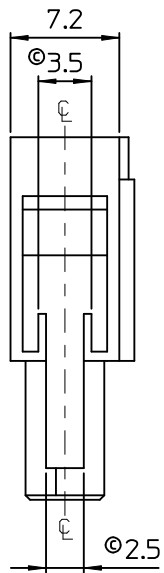
NO.	POLYESTER (PBT)	
	MATERIAL	COLOR
1	35965-0200	NATURAL
2	35965-0203	YELLOW
3	35965-0204	BLUE

SYMBOLS			THIS DRAWING CONTAINS INFORMATION THAT IS PROPRIETARY TO MOLEX ELECTRONIC TECHNOLOGIES, LLC AND SHOULD NOT BE USED WITHOUT WRITTEN PERMISSION																																										
	DIMENSION UNITS		SCALE	CURRENT REV DESC:																																									
	mm		3:1	<table border="1"> <tr><td colspan="3">molex</td></tr> <tr><td colspan="3">.070 MULTI FEMALE HSG -2P (A-TYPE)</td></tr> <tr><td colspan="3">PRODUCT CUSTOMER DRAWING</td></tr> <tr> <td colspan="2">DOCUMENT NUMBER</td> <td>DOC TYPE</td> <td>DOC PART</td> <td>REVISION</td> <td colspan="2"></td> </tr> <tr> <td colspan="2">359650200</td> <td>PSD</td> <td>000</td> <td>E</td> <td colspan="2"></td> </tr> <tr> <td colspan="2">MATERIAL NUMBER</td> <td>CUSTOMER</td> <td colspan="2">SHEET NUMBER</td> <td colspan="2"></td> </tr> <tr> <td colspan="2">SEE TABLE</td> <td>GENERAL MARKET</td> <td colspan="2">1 OF 1</td> <td colspan="2"></td> </tr> </table>					molex			.070 MULTI FEMALE HSG -2P (A-TYPE)			PRODUCT CUSTOMER DRAWING			DOCUMENT NUMBER		DOC TYPE	DOC PART	REVISION			359650200		PSD	000	E			MATERIAL NUMBER		CUSTOMER	SHEET NUMBER				SEE TABLE		GENERAL MARKET	1 OF 1			
molex																																													
.070 MULTI FEMALE HSG -2P (A-TYPE)																																													
PRODUCT CUSTOMER DRAWING																																													
DOCUMENT NUMBER		DOC TYPE	DOC PART						REVISION																																				
359650200		PSD	000						E																																				
MATERIAL NUMBER		CUSTOMER	SHEET NUMBER																																										
SEE TABLE		GENERAL MARKET	1 OF 1																																										
	GENERAL TOLERANCES (UNLESS SPECIFIED)																																												
	ANGULAR TOL ±		1.0°																																										
	4 PLACES ±																																												
	3 PLACES ±																																												
	2 PLACES ±																																												
	1 PLACE ±		0.3																																										
	0 PLACES ±		0.3																																										
	DRAFT WHERE APPLICABLE MUST REMAIN WITHIN DIMENSIONS																																												
	THIRD ANGLE PROJECTION																																												
	DRAWING																																												
	A3-SIZE																																												
	SERIES		35965																																										
MATERIAL NUMBER		CUSTOMER																																											
SEE TABLE		GENERAL MARKET																																											



NOTES.

1. MATERIAL & COLOR : SEE TABLE
2. MATED HOUSING : 35180-040*
35180-060*
3. APPLICABLE TERMINAL : 35746-0*10
4. APPLICABLE T.P.A : 35965-029*
5. PRODUCT SPECIFICATION : PS-35180-002



NO.	POLYESTER(PBT)		PC/PET(UL94V-0)	
	MATERIAL	COLOR	MATERIAL	COLOR
1	35965-0200	NATURAL	35965-9200	NATURAL
2	35965-0202	RED	35965-9202	RED
3	35965-0203	YELLOW	35965-9203	YELLOW
4	35965-0204	BLUE	35965-9204	BLUE

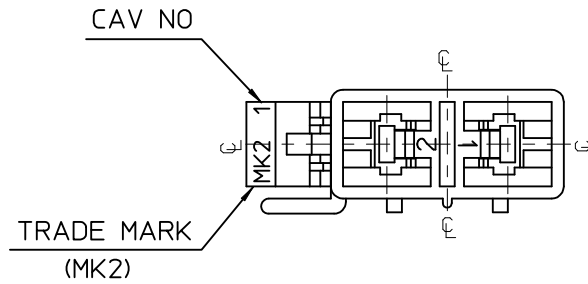
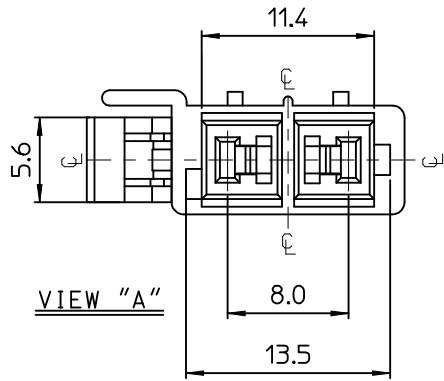
REVISED	EC NO: KOR2017-0041	2017/02/16
	DRWN: JSSHIN	2017/02/16
	CHKD: SHCHU	2017/02/16
	APPR: YSKI MO2	2017/02/17
D1	REV	DESCRIPTION

QUALITY SYMBOLS
▽=0
∇=0

GENERAL TOLERANCES (UNLESS SPECIFIED)	
	mm
4 PLACES	± 0.3
3 PLACES	± 0.4
2 PLACES	± 0.5
1 PLACE	± 0.8
ANGULAR ± 1°	
DRAFT WHERE APPLICABLE MUST REMAIN WITHIN DIMENSIONS	

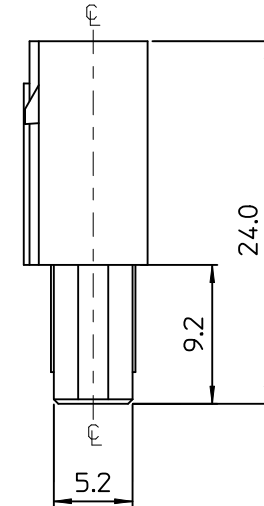
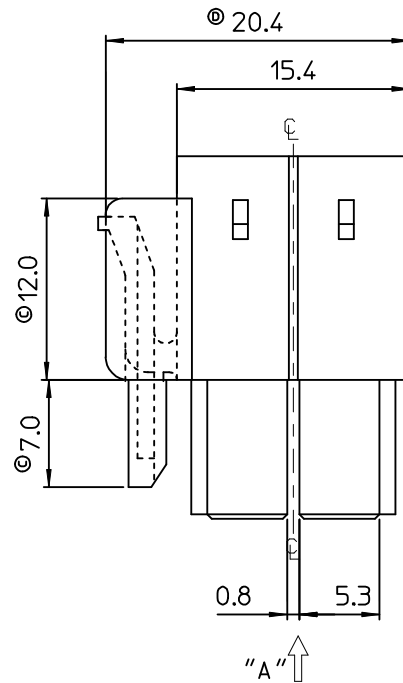
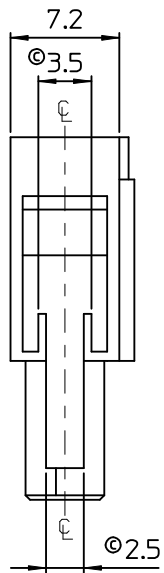
DIMENSION STYLE	
MM ONLY	
DRAWN BY	DATE
JS.KANG	1995/09/28
CHECKED BY	DATE
BK.CHOI	1995/09/28
APPROVED BY	DATE
CW.LEE	1995/09/28
MATERIAL NO.	SEE TABLE
SIZE	A3

SCALE	3/1
DESIGN UNITS	METRIC
THIRD ANGLE PROJECTION	
TITLE	
070 MULTI FEMALE HSG 2P(A)	
MOLEX INCORPORATED	
DOCUMENT NO.	SD-35965-020*
SHEET NO.	1 OF 01
THIS DRAWING CONTAINS INFORMATION THAT IS PROPRIETARY TO MOLEX INCORPORATED AND SHOULD NOT BE USED WITHOUT WRITTEN PERMISSION	



NOTES.

1. MATERIAL & COLOR : SEE TABLE
2. MATED HOUSING : 35180-040*
35180-060*
3. APPLICABLE TERMINAL : 35746-0*10
4. APPLICABLE T.P.A : 35965-029*
5. PRODUCT SPECIFICATION : PS-35180-002



NO.	POLYESTER(PBT)		PC/PET(UL94V-0)	
	MATERIAL	COLOR	MATERIAL	COLOR
1	35965-0200	NATURAL	35965-9200	NATURAL
2	35965-0202	RED	35965-9202	RED
3	35965-0203	YELLOW	35965-9203	YELLOW
4	35965-0204	BLUE	35965-9204	BLUE

REVISED	EC NO: KOR2017-0041	2017/02/16
	DRWN: JSSHIN	2017/02/16
	CHKD: SHCHU	2017/02/16
	APPR: YSKI MO2	2017/02/17
D1	REV	DESCRIPTION

QUALITY SYMBOLS	▽=0
	∇=0

GENERAL TOLERANCES (UNLESS SPECIFIED)	
	mm
4 PLACES	± 0.3
3 PLACES	± 0.4
2 PLACES	± 0.5
1 PLACE	± 0.8
ANGULAR ± 1°	
DRAFT WHERE APPLICABLE MUST REMAIN WITHIN DIMENSIONS	

DIMENSION STYLE	
MM ONLY	
DRAWN BY	DATE
JS.KANG	1995/09/28
CHECKED BY	DATE
BK.CHOI	1995/09/28
APPROVED BY	DATE
CW.LEE	1995/09/28
MATERIAL NO.	SEE TABLE
SIZE	A3

SCALE	3/1
DESIGN UNITS	METRIC
THIRD ANGLE PROJECTION	
TITLE	
070 MULTI FEMALE HSG 2P(A)	
MOLEX INCORPORATED	
DOCUMENT NO.	SD-35965-020*
SHEET NO.	1 OF 01
THIS DRAWING CONTAINS INFORMATION THAT IS PROPRIETARY TO MOLEX INCORPORATED AND SHOULD NOT BE USED WITHOUT WRITTEN PERMISSION	