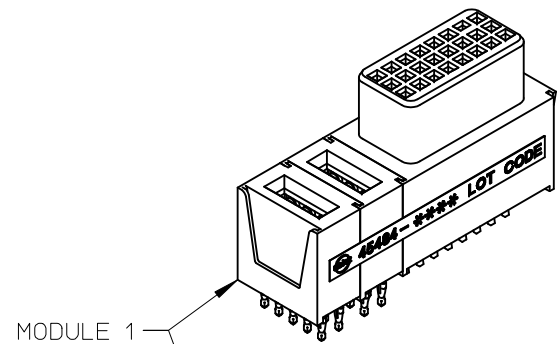
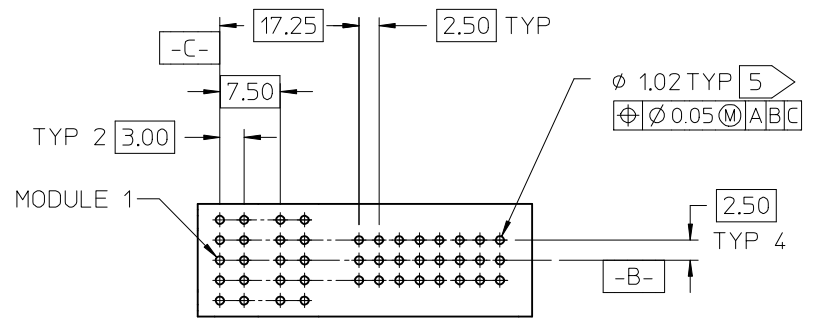
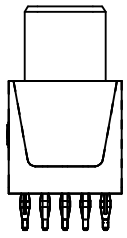
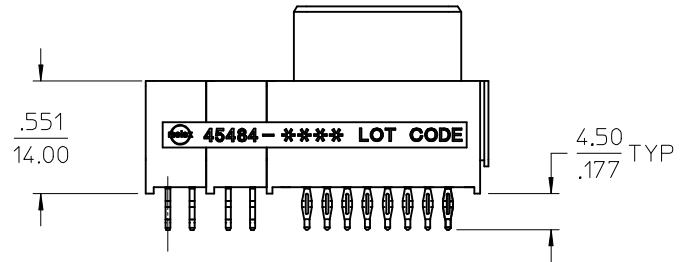
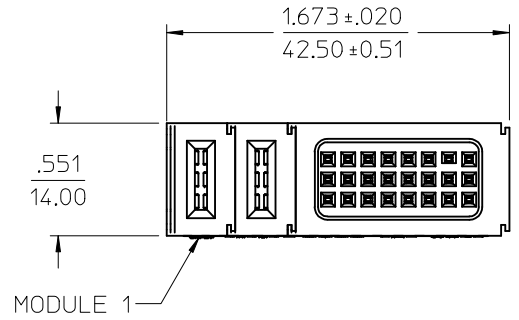


NOTES:

- MATERIAL: LCP, GLASS FILLED, UL94V-0, BLACK.  
CONTACTS: COPPER ALLOY
- FINISH: SELECT GOLD: 30 MI MIN.  
SELECT TIN: 100 MI MIN.  
BOTH OVER NICKEL
- PRODUCT SPECIFICATION: PS-45424-001.
- PACKAGING SPECIFICATION: PK-45484-001.
- PCB HOLE SPECIFICATION: PS-45424-001.



PCB LAYOUT: COMPONENT SIDE  
PCB THICKNESS: .093/2.36  
PCB TOLERANCE: ±.002/0.05

EC NO: UCP2005-2774	DESCRIPTION
DRWN: ADRA1N02005/07/07	
CHKD: KSAMIEC 2005/07/08	
APPR: APATEL 2005/07/13	
A1	REV

GENERAL TOLERANCES (UNLESS SPECIFIED)	
	mm INCH
4 PLACES	± --- ± ---
3 PLACES	± --- ± .010
2 PLACES	± 0.25 ± .015
1 PLACE	± 0.38 ± ---
ANGULAR ± 1/2°	
DRAFT WHERE APPLICABLE	
MUST REMAIN WITHIN DIMENSIONS	

SCALE	DESIGN UNITS
1:1	METRIC
DIMENSION STYLE	
IN/MM	
DRAWN BY	DATE
SCHAFFER	2004/10/13
CHECKED BY	DATE
SAMIEC	2004/10/13
APPROVED BY	DATE
MARGULIS	2004/10/13

PD 200	PD 200	PD 401	THIRD ANGLE PROJECTION	REVISE ON CAD ONLY
TITLE				
POWER DOCK ASSEMBLY SOCKET VERTICAL CPI				
MOLEX INCORPORATED				
MATERIAL NO.		DOCUMENT NO.		SHEET NO.
45484-0100		SD-45484-100		1 OF 1
THIS DRAWING CONTAINS INFORMATION THAT IS PROPRIETARY TO MOLEX INCORPORATED AND SHOULD NOT BE USED WITHOUT WRITTEN PERMISSION				