

5. 材料
 キャリアテープ: ポリプロピレン (PP)
 トップテープ: PET, PE, PEF
 リール: ポリスチレン (PS) <リサイクル材を含む>

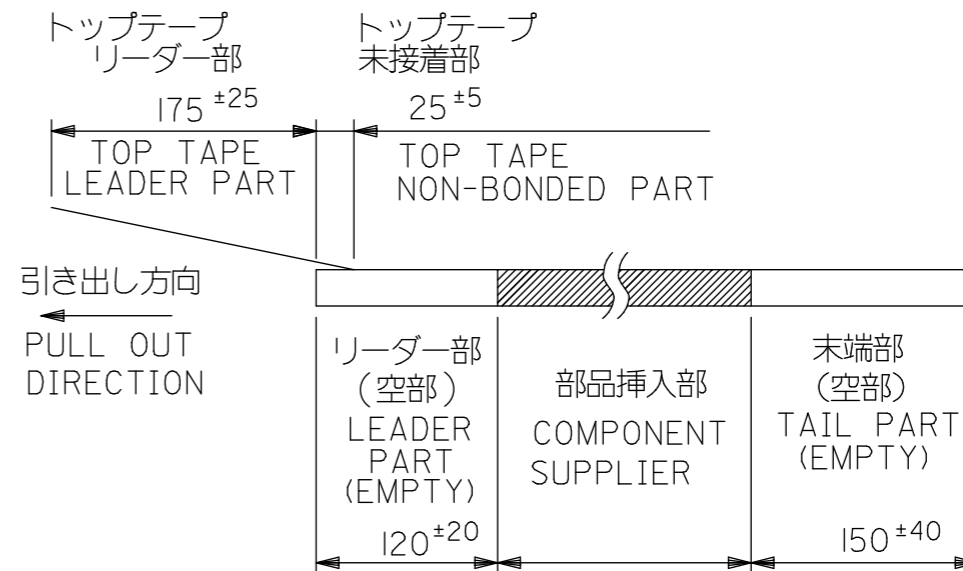
MATERIAL CARRIER TAPE: POLYPROPYLENE
 TOP TAPE: PET, PE, PEF
 REEL: POLYSTYRENE (PS)
 <RECYCLE MATERIAL CONTAINED>

6. 本製品は 52559-**-90の鉛フリー品である。
 THIS PRODUCT IS LEAD FREE OF

7. 本製品は乾燥剤入り、ハイバリア梱包仕様である。
 THIS PRODUCT IS HIGH BARRIER PACKAGE WITH DESICCANT.

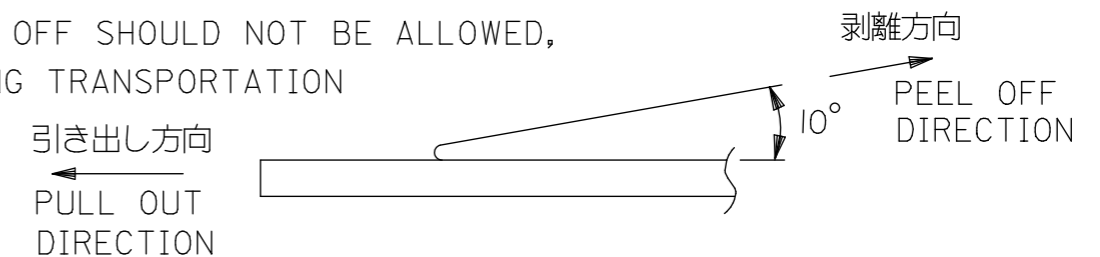
注記 NOTES

- 製品番号 52559-**-19 の梱包状態はアクチュエータがロックした状態とする。
 IN THE PACKAGE, ACTUATOR OF PART NO. 52559-**-19 SHOULD BE LOCKED
- 梱包数量: 1000個/リール
 NUMBER OF CONNECTORS: 1000PCS/REEL
- リードテープ長さ LEAD TAPE LENGTH

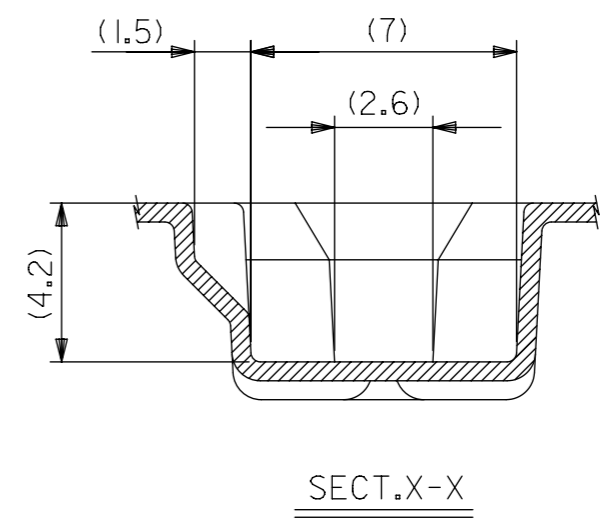
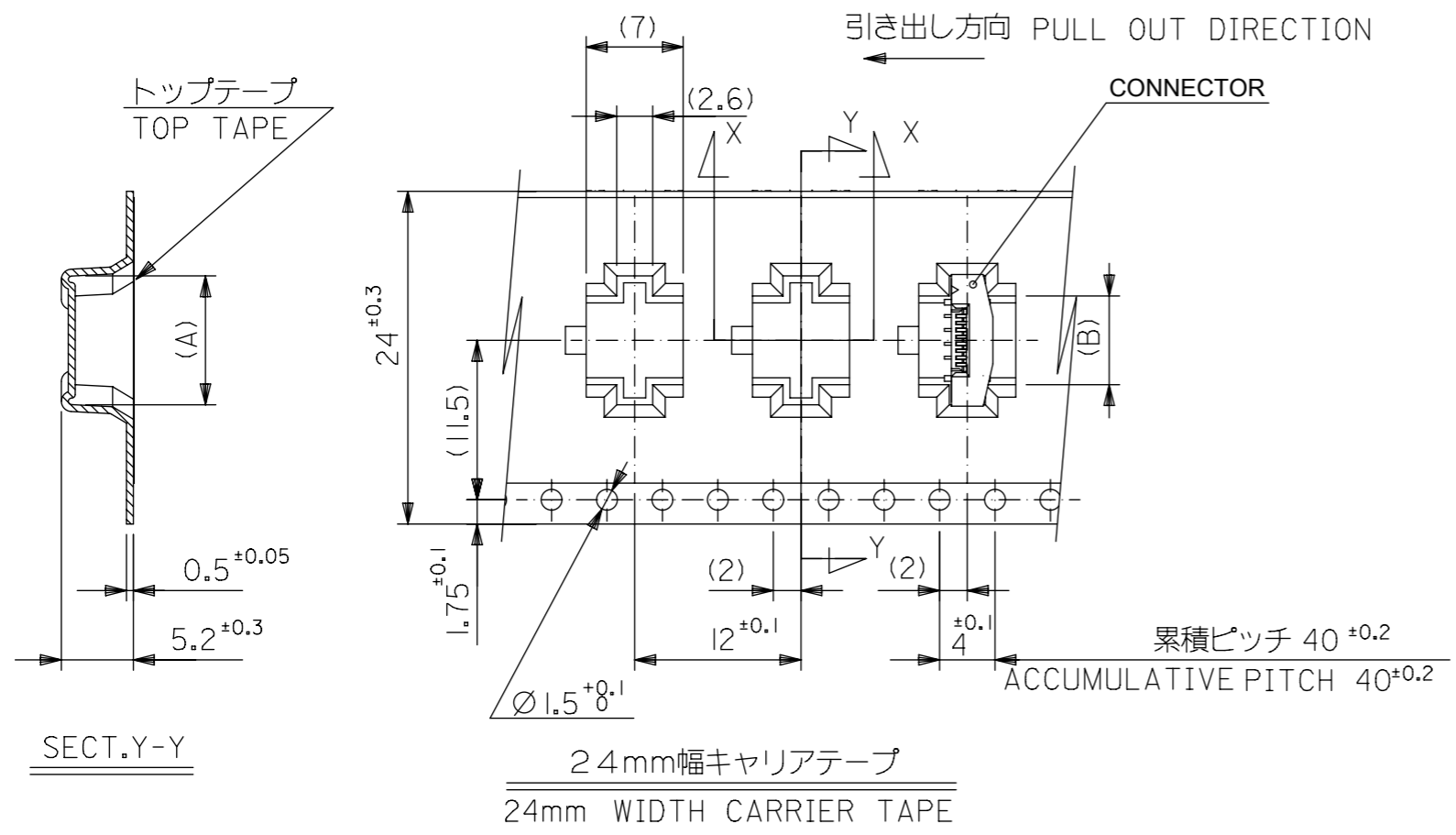


- トップテープの剥離強度: (剥離方向は下図参照)
 0.1N~1.3N {10gf~130gf}尚、本規格値は、出荷時に適用。
 (但し、輸送時に剥離が発生しない事。)

PEELING OFF FORCE OF TOP TAPE
 0.1~1.3N{10gf~130gf}(PEELING DIRECTION AS SHOWN IN FOLLOWING FIG.)
 THIS REQUIREMENT SHOULD BE APPLIED AT SHIPMENT
 PEEL OFF SHOULD NOT BE ALLOWED,
 DURING TRANSPORTATION



THIS DRAWING CONTAINS INFORMATION THAT IS PROPRIETARY TO MOLEX ELECTRONIC TECHNOLOGIES, LLC AND SHOULD NOT BE USED WITHOUT WRITTEN PERMISSION		CURRENT REV DESC:		molex	
DIMENSION UNITS	SCALE				
mm	NTS			0.5 FPC CONN ASSY ZIF SMT SMT EMBSTP PKG -LEAD FREE-	
GENERAL TOLERANCES (UNLESS SPECIFIED)		GENERAL TOLERANCES (UNLESS SPECIFIED)		PRODUCT CUSTOMER DRAWING	
ANGULAR TOL ± °		ANGULAR TOL ± °		DOCUMENT NUMBER	
4 PLACES ±		4 PLACES ±		SD-52559-029	
3 PLACES ±		3 PLACES ±		DOC TYPE	
2 PLACES ±		2 PLACES ±		PSD	
1 PLACE ±		1 PLACE ±		DOC PART	
0 PLACES ±		0 PLACES ±		001	
DRAFT WHERE APPLICABLE MUST REMAIN WITHIN DIMENSIONS		THIRD ANGLE PROJECTION		REVISION	
10 ^{UNDER} ±0.2		DRAWING		G	
10 ^{OVER} 30 ^{UNDER} ±0.25		A3-SIZE		SHEET NUMBER	
30 ^{OVER} ±0.3		52559		1 OF 5	
ANGULAR ±3 °		SERIES			
		MATERIAL NUMBER			
		CUSTOMER			
		SEE TABLE			
		GENERAL MARKET			

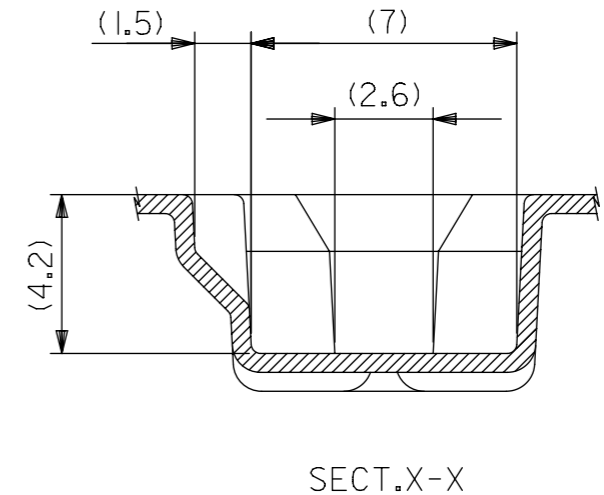
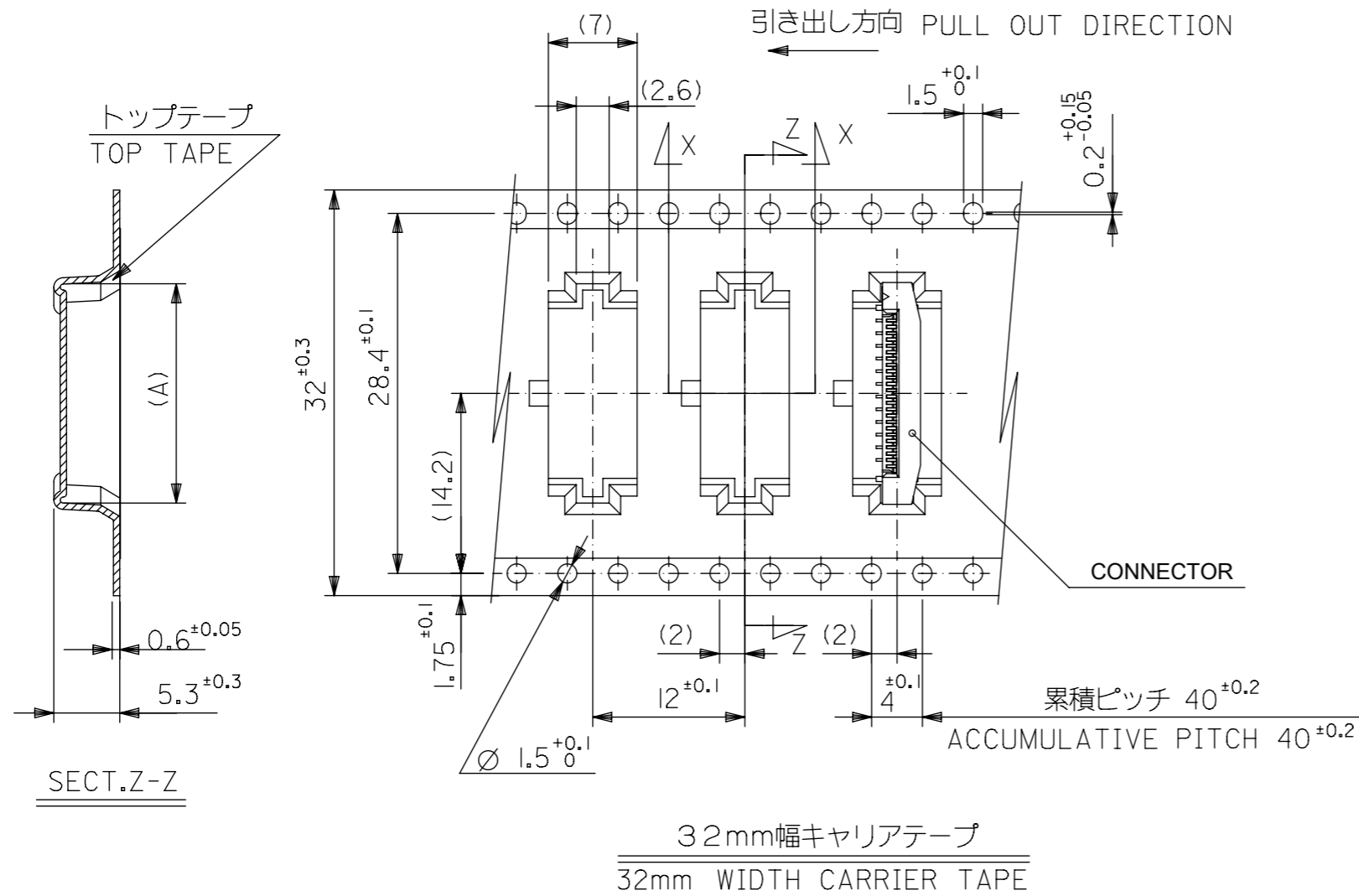


24	29.4	25.4	13.4	16.3	52559-2270	22
			12.4	15.3	52559-2070	20
			11.4	14.3	52559-1870	18
			10.4	13.3	52559-1670	16
			9.4	12.3	52559-1470	14
			8.9	11.8	52559-1370	13
			6.4	9.3	52559-0870	8
キャリアテープ幅 CARRIER TAPE WIDTH	D	C	(B)	(A)	MATERIAL. NO.	極数 CIRCUIT

THIS DRAWING CONTAINS INFORMATION THAT IS PROPRIETARY TO MOLEX ELECTRONIC TECHNOLOGIES, LLC AND SHOULD NOT BE USED WITHOUT WRITTEN PERMISSION

DIMENSION UNITS mm	SCALE NTS	CURRENT REV DESC:	
GENERAL TOLERANCES (UNLESS SPECIFIED)		<p>molex</p> <p>0.5 FPC CONN ASSY ZIF SMT SMT EMBSTP PKG -LEAD FREE-</p> <p>PRODUCT CUSTOMER DRAWING</p>	
ANGULAR TOL ± °			
4 PLACES ±	EC NO: 745355		
3 PLACES ±	DRWN: RAJMOK 2023/04/05		
2 PLACES ±	CHK'D: HSHIMOYAMA 2023/04/07		
1 PLACE ±	APPR: HSHIMOYAMA 2023/04/07	INITIAL REVISION:	
0 PLACES ±	DRWN: HSHIMABUKURO 2004/01/07	2004/01/08	
DRAFT WHERE APPLICABLE MUST REMAIN WITHIN DIMENSIONS		THIRD ANGLE PROJECTION	DRAWING
ANGULAR ±3 °			A3-SIZE
		SERIES	MATERIAL NUMBER
		52559	SEE TABLE
		CUSTOMER	SHEET NUMBER
		GENERAL MARKET	2 OF 5

GENERAL TOLERANCES (UNLESS SPECIFIED)	
10 ^{UNDER}	±0.2
10 ^{OVER} 30 ^{UNDER}	±0.25
30 ^{OVER}	±0.3
ANGULAR	±3 °

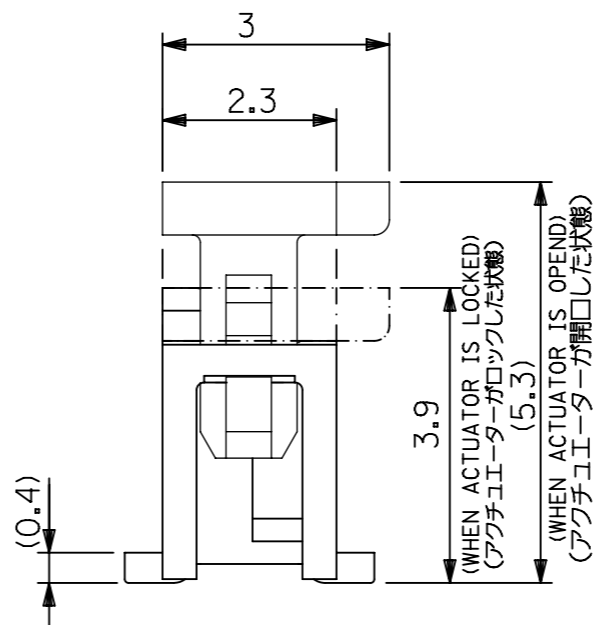
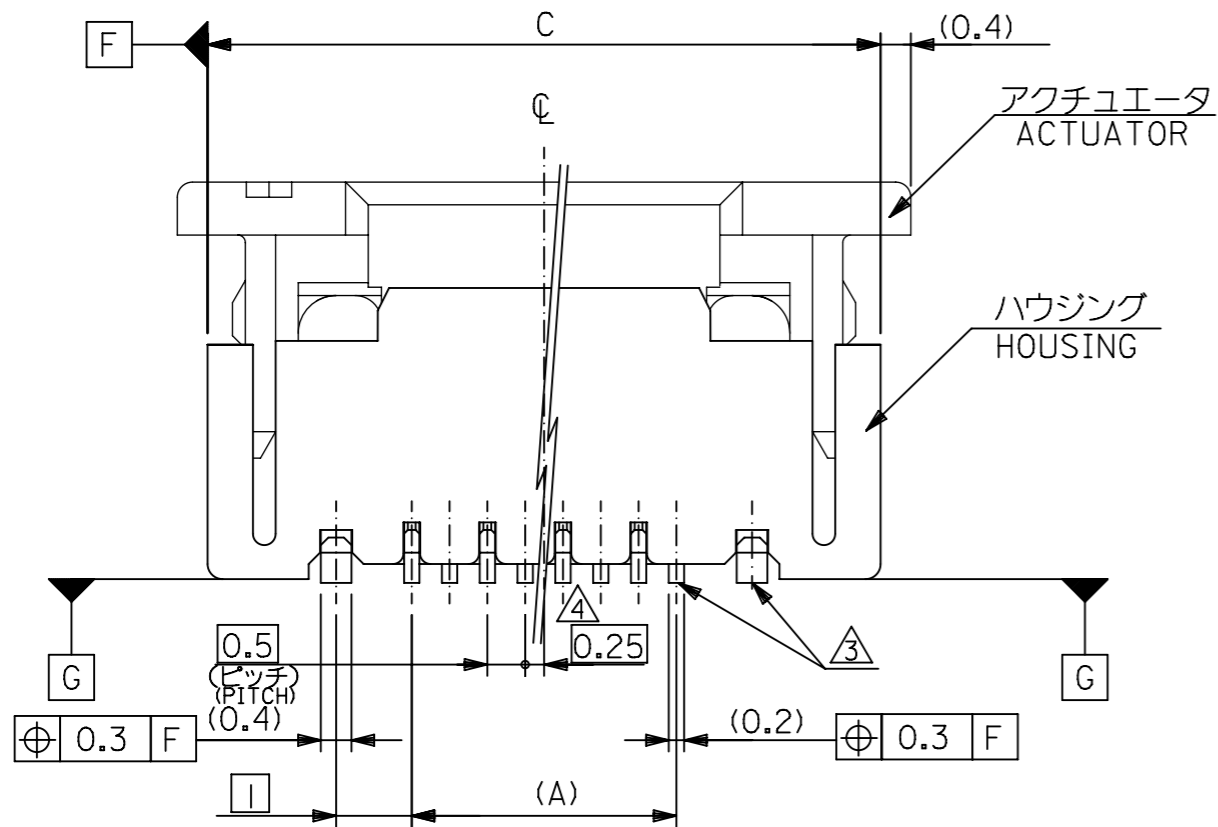
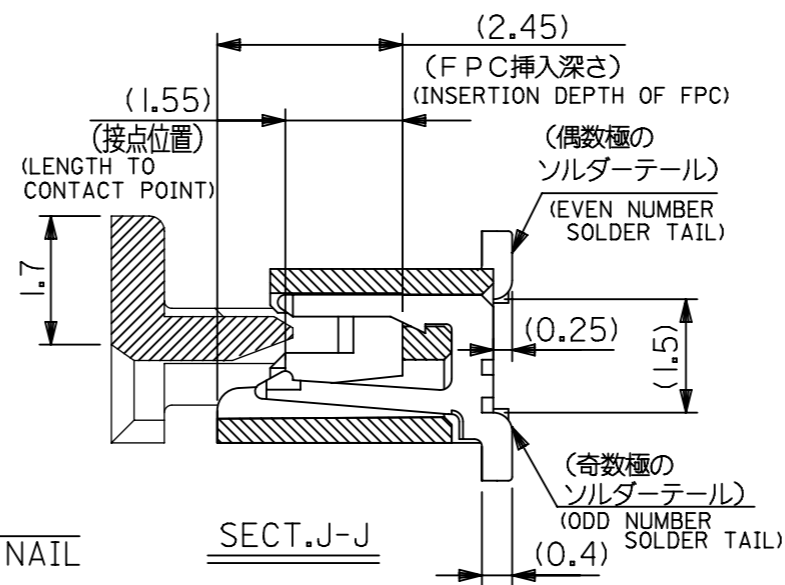
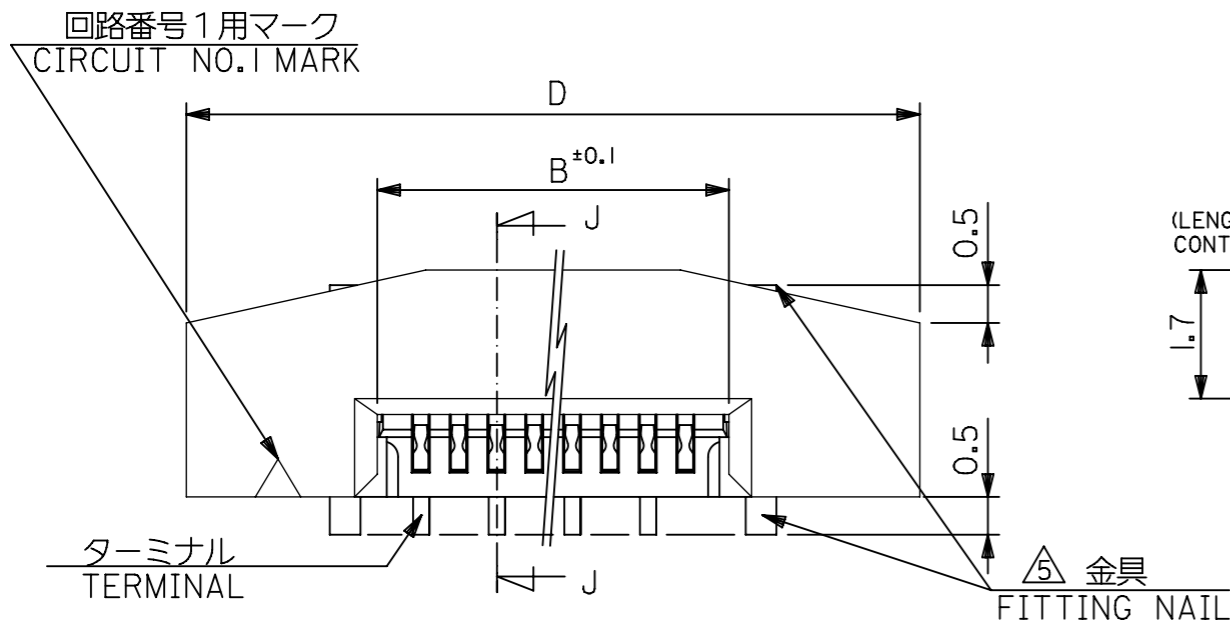


32	37.4	33.4	18.9	21.8	52559-3370	33
			16.4	19.3	52559-2870	28
			14.9	17.8	52559-2570	25
			14.4	17.3	52559-2470	24
キャリアテープ幅 CARRIER TAPE WIDTH	D	C	(B)	(A)	MATERIAL. NO.	極数 CIRCUIT

THIS DRAWING CONTAINS INFORMATION THAT IS PROPRIETARY TO MOLEX ELECTRONIC TECHNOLOGIES, LLC AND SHOULD NOT BE USED WITHOUT WRITTEN PERMISSION

DIMENSION UNITS mm	SCALE NTS	CURRENT REV DESC:		molex		
GENERAL TOLERANCES (UNLESS SPECIFIED)		EC NO: 745355				
ANGULAR TOL ± °		DRWN: RAJMOK		PRODUCT CUSTOMER DRAWING		
4 PLACES ±		CHK'D: HSHIMOYAMA		DOCUMENT NUMBER		
3 PLACES ±		APPR: HSHIMOYAMA		SD-52559-029		
2 PLACES ±		INITIAL REVISION:		DOC TYPE		
1 PLACE ±		DRWN: HSHIMABUKURO		PSD		
0 PLACES ±		APPR: MSASAO		DOC PART		
DRAFT WHERE APPLICABLE MUST REMAIN WITHIN DIMENSIONS		THIRD ANGLE PROJECTION		REVISION		
DRAWING		SERIES		G		
A3-SIZE		52559		SHEET NUMBER		
MATERIAL NUMBER		CUSTOMER		3 OF 5		
SEE TABLE		GENERAL MARKET				

GENERAL TOLERANCES (UNLESS SPECIFIED)	
10 ^{UNDER}	±0.2
10 ^{OVER} 30 ^{UNDER}	±0.25
30 ^{OVER}	±0.3
ANGULAR	±3 °



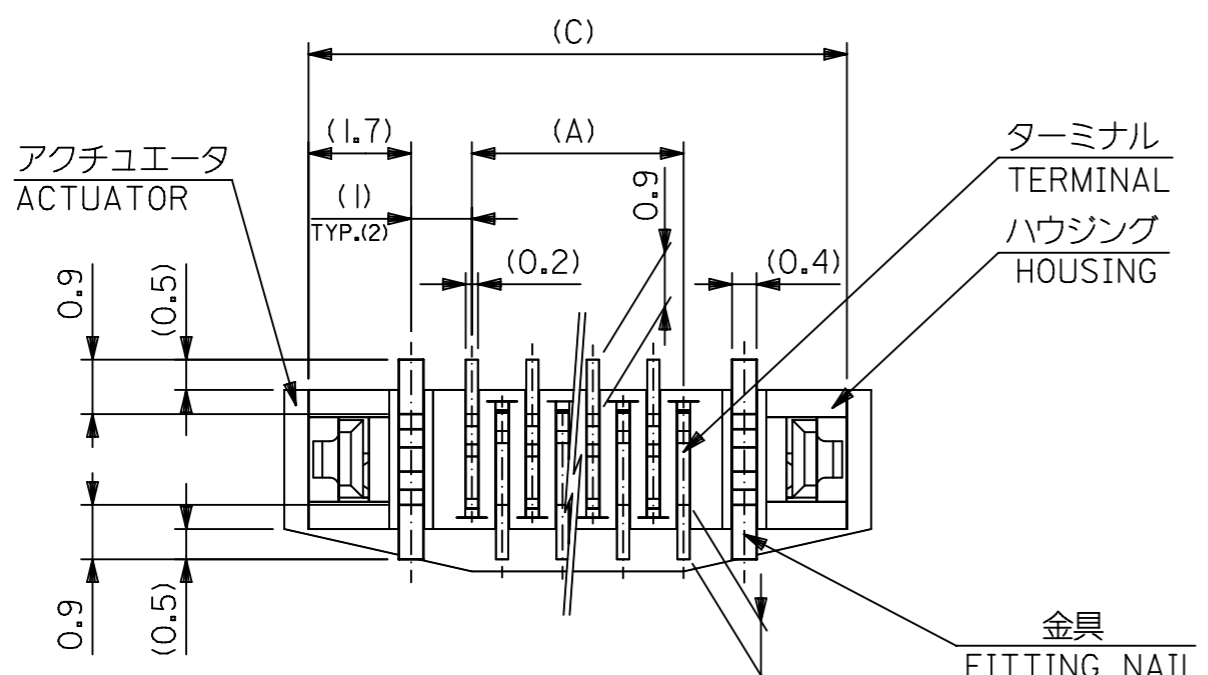
22.2	21.4	17.15	16.0	52559-3370	33
19.7	18.9	14.65	13.5	-2870	28
18.2	17.4	13.15	12.0	-2570	25
17.7	16.9	12.65	11.5	-2470	24
16.7	15.9	11.65	10.5	-2270	22
15.7	14.9	10.65	9.5	-2070	20
14.7	13.9	9.65	8.5	-1870	18
13.7	12.9	8.65	7.5	-1670	16
12.7	11.9	7.65	6.5	-1470	14
12.2	11.4	7.15	6.0	-1370	13
9.7	8.9	4.65	3.5	52559-0870	8
D	C	B	(A)	MATERIAL NO.	極数 (PKT.)

THIS DRAWING CONTAINS INFORMATION THAT IS PROPRIETARY TO MOLEX ELECTRONIC TECHNOLOGIES, LLC AND SHOULD NOT BE USED WITHOUT WRITTEN PERMISSION

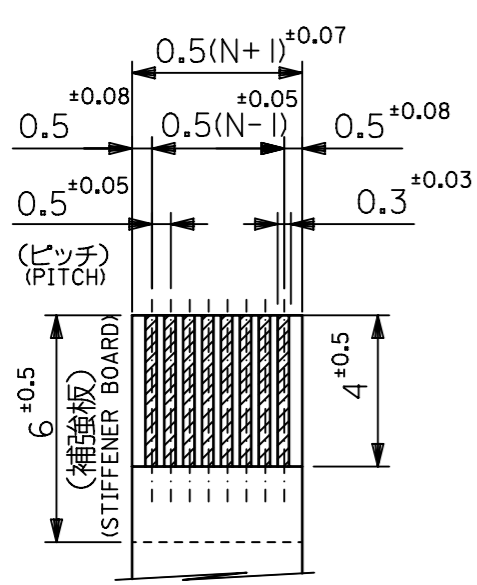
DIMENSION UNITS	SCALE	CURRENT REV DESC:	molex		
mm	NTS				
GENERAL TOLERANCES (UNLESS SPECIFIED)			0.5 FPC CONN ASSY ZIF SMT SMT EMBSTP PKG -LEAD FREE-		
ANGULAR TOL ± °			PRODUCT CUSTOMER DRAWING		
4 PLACES ±			DOCUMENT NUMBER		
3 PLACES ±			SD-52559-029		
2 PLACES ±			DOC TYPE DOC PART REVISION		
1 PLACE ±			PSD 001 G		
0 PLACES ±			MATERIAL NUMBER CUSTOMER SHEET NUMBER		
DRAFT WHERE APPLICABLE MUST REMAIN WITHIN DIMENSIONS			SEE TABLE GENERAL MARKET 4 OF 5		

EC NO: 745355
 DRWN: RAJMOK 2023/04/05
 CHK'D: HSHIMOYAMA 2023/04/07
 APPR: HSHIMOYAMA 2023/04/07
 INITIAL REVISION:
 DRWN: HSHIMABUKURO 2004/01/07
 APPR: MSASAO 2004/01/08

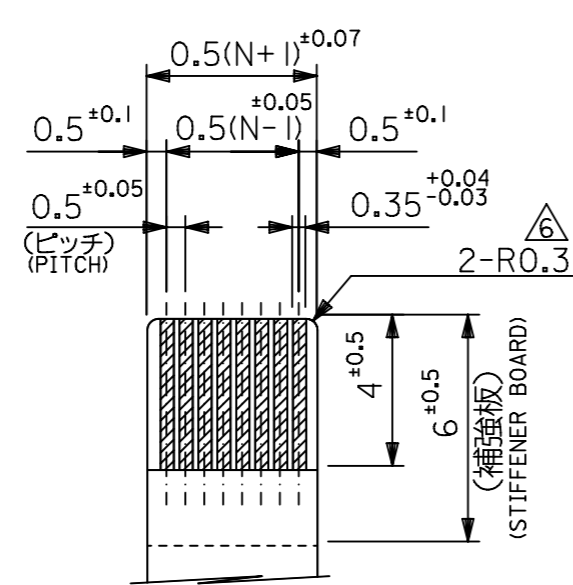
GENERAL TOLERANCES (UNLESS SPECIFIED)	
10 ^{UNDER}	±0.2
10 ^{OVER} 30 ^{UNDER}	±0.25
30 ^{OVER}	±0.3
ANGULAR	±3 °



下面図
BOTTOM VIEW



適合 FFC 推奨寸法
APPLICABLE FFC
RECOMMENDED DIMENSION.
(仕上がり厚さ: 0.3 ± 0.05)
(THICKNESS: 0.3 ± 0.05)



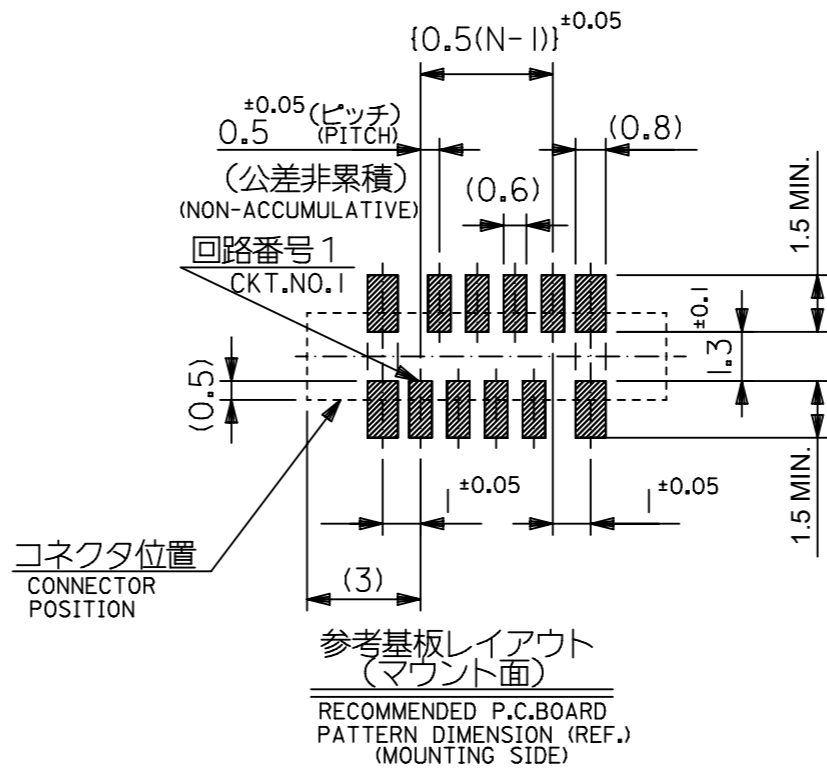
適合 FPC 推奨寸法
APPLICABLE FPC
RECOMMENDED DIMENSION.
(仕上がり厚さ: 0.3 ± 0.05)
(THICKNESS: 0.3 ± 0.05)

FPCについて:
打抜き方向は導体側から補強板側を推奨致します。
補強フィルム材質はポリイミドを推奨致します。
接着剤は熱硬化接着剤を推奨致します。

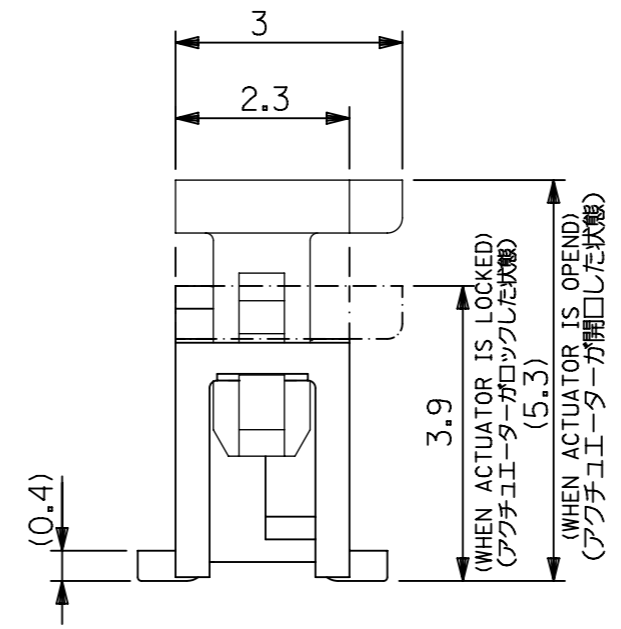
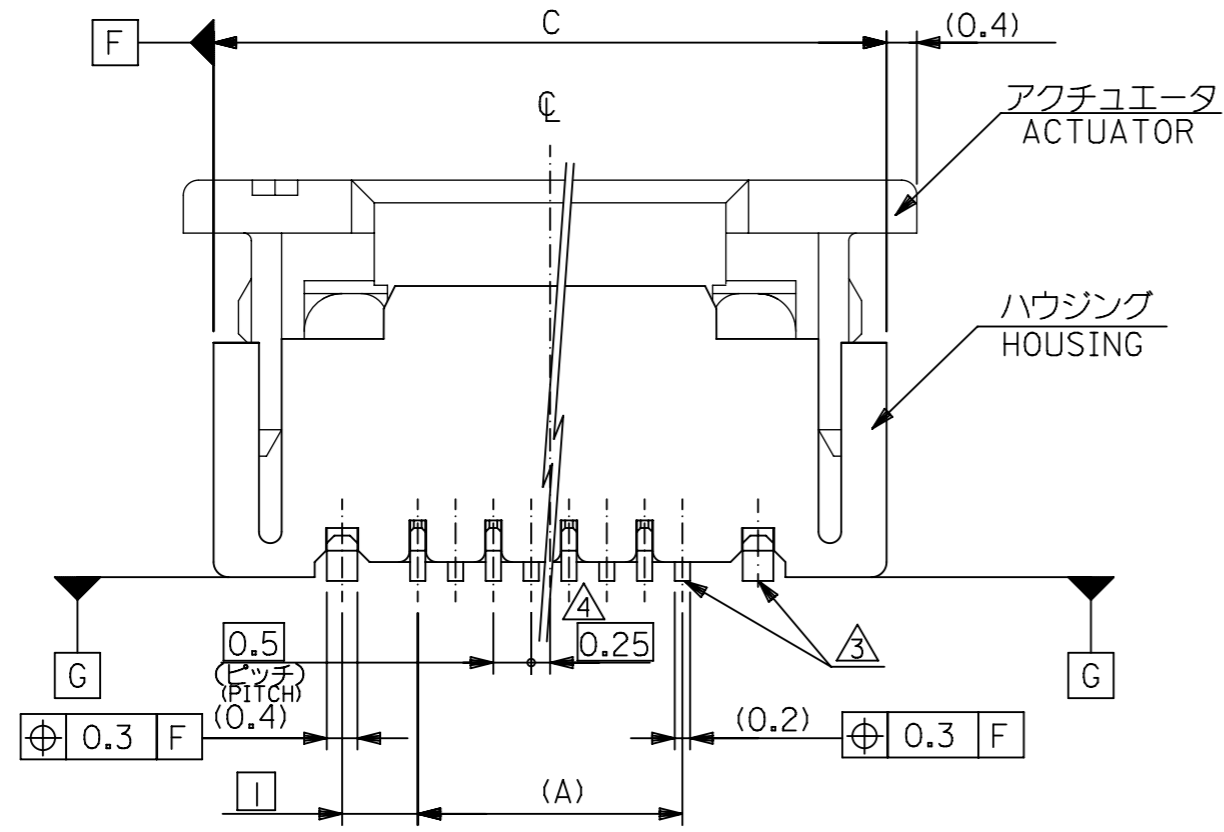
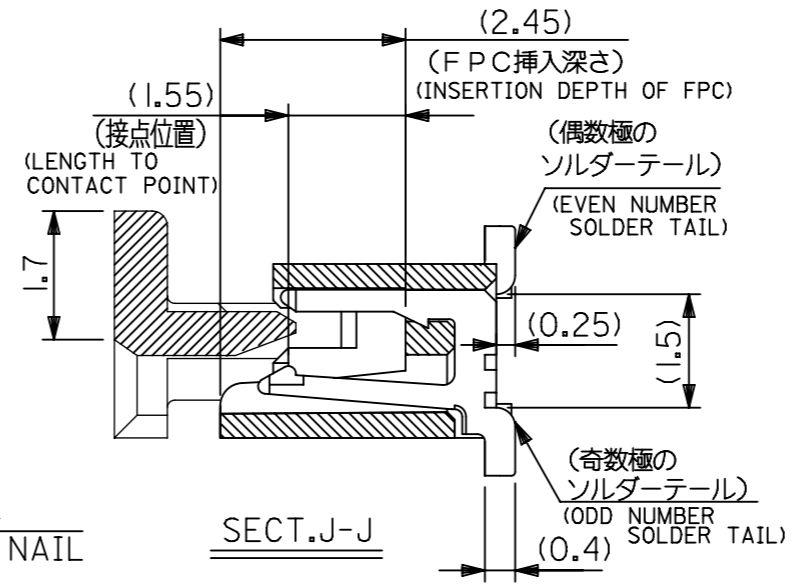
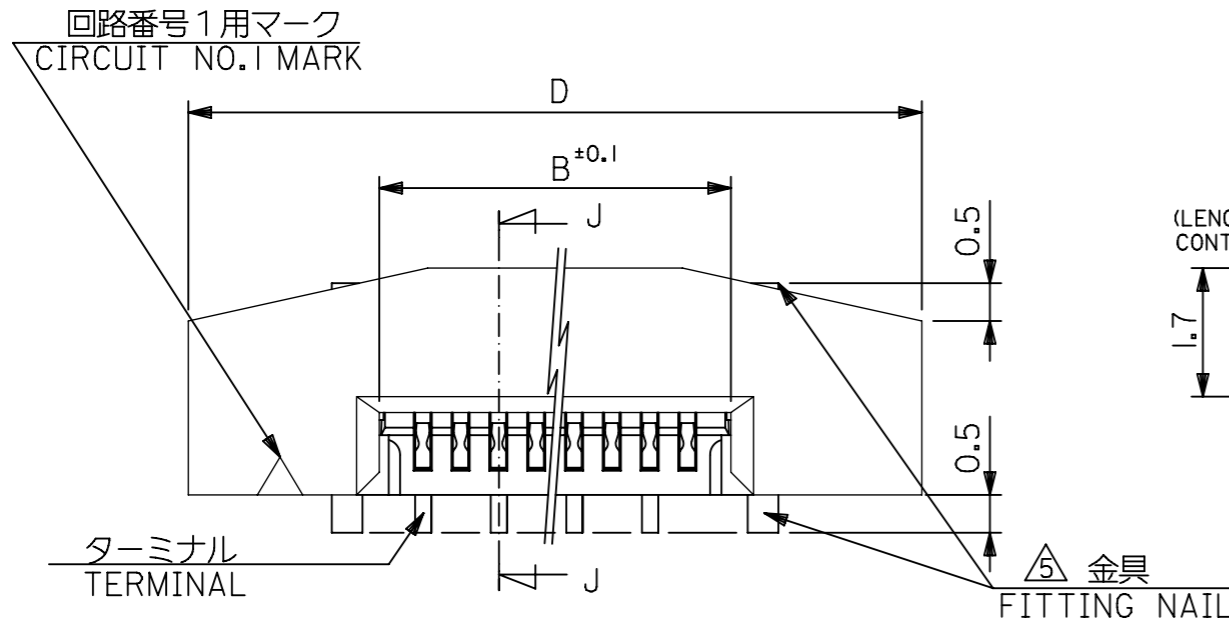
ABOUT FPC :
RECOMMENDED PUNCHER DIRECTION : FROM CONDUCTOR SIDE TO STIFFENER BOARD SIDE.
RECOMMENDED MATERIAL :
STIFFENER FILM : POLYIMIDE
BONDING AGENT : THERMOSETTING BONDING AGENT

注記 NOTES

- 使用材料 : MATERIAL
ハウジング HOUSING : 46NYLON UL94V-0
アクチュエータ ACTUATOR : PPS UL94V-0
ターミナル TERMINAL : リン青銅 (t=0.2) PHOS-BRO
: 錫ビスマスメッキ 1.0マイクロメートル以上 TIN-BISMUTH 1.0 MICROMETER MINIMUM
: ニッケル下地 1.0マイクロメートル以上 NICKEL(UNDER PLATING) 1.0 MICROMETER MINIMUM
金具 FITTING NAIL : リン青銅 (t=0.4) PHOS-BRO
: 錫メッキ 1.0マイクロメートル以上 TIN 1.0 MICROMETER MINIMUM
: ニッケル下地 1.0マイクロメートル以上 NICKEL(UNDER PLATING) 1.0 MICROMETER MINIMUM
- エンボステープ梱包時は、アクチュエータがロックした状態とする。
IN THE PACKAGE, ACTUATOR OF PART NO.52559-***19 SHOULD BE LOCKED.
- △ ソルダータール半田付け面のズレ量、及び金具半田付け面のズレ量は、基準面 G に対し上方向 0.05 MAX. , 下方向 0.15 MAX. とする。
MISALIGNMENT OF SOLDER TAILS AND FITTING NAILS FROM G UPPER DIRECTION: 0.05 MAX. , LOWER DIRECTION: 0.15 MAX.
- △ 偶数極に適用。
APPLY FOR EVEN CIRCUIT.
- △ パターンはくり止め用金具。
FITTING NAIL FOR PREVENTION OF PEELING OF P.C.B. PATTERN.
- △ R0.3は、FPCの導体部にかからないこと。
R0.3 MUST NOT BE OVERLAPPED TO PATTERN OF FPC.
- 本製品は 52559-***17 の鉛フリー品である。
THIS PRODUCT IS LEAD FREE OF 52559-***17



THIS DRAWING CONTAINS INFORMATION THAT IS PROPRIETARY TO MOLEX ELECTRONIC TECHNOLOGIES, LLC AND SHOULD NOT BE USED WITHOUT WRITTEN PERMISSION										
DIMENSION UNITS		SCALE		CURRENT REV DESC:				molex		
mm		NTS								
GENERAL TOLERANCES (UNLESS SPECIFIED)										
ANGULAR TOL ± °										
4 PLACES ±		DRWN: RAJMOK		2023/04/05		PRODUCT CUSTOMER DRAWING				
3 PLACES ±		CHK'D: HSHIMOYAMA		2023/04/07						
2 PLACES ±		APPR: MSASAO		2023/04/07		DOCUMENT NUMBER		DOC TYPE	DOC PART	REVISION
1 PLACE ±		INITIAL REVISION:		2004/01/07		SD-52559-029		PSD	001	G
0 PLACES ±		DRWN: HSHIMABUKURO		2004/01/08		MATERIAL NUMBER		CUSTOMER		SHEET NUMBER
DRAFT WHERE APPLICABLE MUST REMAIN WITHIN DIMENSIONS		THIRD ANGLE PROJECTION		DRAWING	SERIES	MATERIAL NUMBER	CUSTOMER		SHEET NUMBER	
		A3-SIZE		52559	SEE TABLE	GENERAL MARKET		5 OF 5		



注記 NOTES

- 使用材料 : MATERIAL
 ハウジング : 46NYLON UL94V-0
 アクチュエータ : PPS UL94V-0
 ターミナル : リン青銅 (t=0.2) PHOS-BRO
 : 錫ビスマスマッキ 1.0マイクロメートル以上 TIN-BISMUTH 1.0 MICROMETER MINIMUM
 : ニッケル下地 1.0マイクロメートル以上 NICKEL(UNDER PLATING) 1.0 MICROMETER MINIMUM
 金具 : リン青銅 (t=0.4) PHOS-BRO
 : 錫メッキ 1.0マイクロメートル以上 TIN 1.0 MICROMETER MINIMUM
 : ニッケル下地 1.0マイクロメートル以上 NICKEL(UNDER PLATING) 1.0 MICROMETER MINIMUM
- エンボスステップ梱包時は、アクチュエータがロックした状態とする。
 IN THE PACKAGE, ACTUATOR OF PART NO.52559-***19 SHOULD BE LOCKED.
- △ ソルダーテール半田付け面のズレ量、及び金具半田付け面のズレ量は、基準面 G に対し上方向 0.05 MAX. , 下方向 0.15 MAX. とする。
 MISALIGNMENT OF SOLDER TAILS AND FITTING NAILS FROM G UPPER DIRECTION: 0.05 MAX. , LOWER DIRECTION: 0.15 MAX.
- △ 偶数極に適用。
 APPLY FOR EVEN CIRCUIT.
- △ パターンはくり止め用金具。
 FITTING NAIL FOR PREVENTION OF PEELING OF P.C.B. PATTERN.
- △ R0.3は、FPCの導体部にかからないこと。
 R0.3 MUST NOT BE OVERLAPPED TO PATTERN OF FPC.
- 本製品は 52559-***17 の鉛フリー品である。
 THIS PRODUCT IS LEAD FREE OF 52559-***17

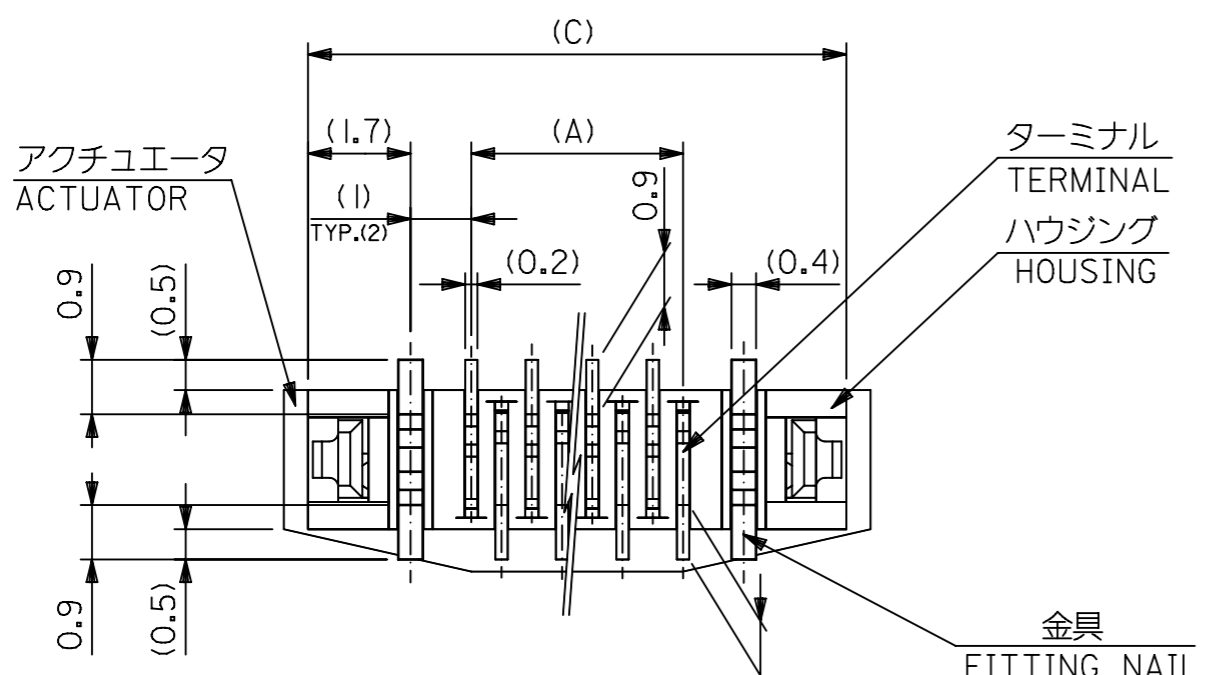
THIS DRAWING CONTAINS INFORMATION THAT IS PROPRIETARY TO MOLEX ELECTRONIC TECHNOLOGIES, LLC AND SHOULD NOT BE USED WITHOUT WRITTEN PERMISSION

DIMENSION UNITS	SCALE	CURRENT REV DESC:	molex		
mm	NTS				
GENERAL TOLERANCES (UNLESS SPECIFIED)			0.5 FPC CONN ZIF FOR SMT S/T SHEET 1 OF 2 - LEAD FREE-		
ANGULAR TOL	±	°	PRODUCT CUSTOMER DRAWING		
4 PLACES	±		DOCUMENT NUMBER		
3 PLACES	±		SD-52559-045		
2 PLACES	±		DOC TYPE DOC PART REVISION		
1 PLACE	±		PSD 001 B		
0 PLACES	±		SHEET NUMBER		
DRAFT WHERE APPLICABLE MUST REMAIN WITHIN DIMENSIONS			THIRD ANGLE PROJECTION	DRAWING	SERIES
			⊕	A3-SIZE	52559
			MATERIAL NUMBER CUSTOMER		
			SEE CHART GENERAL MARKET		

EC NO: 719890
 DRWN: NARENC 2022/08/22
 CHK'D: SMARUYAMA 2022/09/05
 APPR: YNAITO 2022/09/05
 INITIAL REVISION:
 DRWN: HSHIMABUKURO 2004/01/07
 APPR: MSASAO 2004/01/08

GENERAL TOLERANCES (UNLESS SPECIFIED)

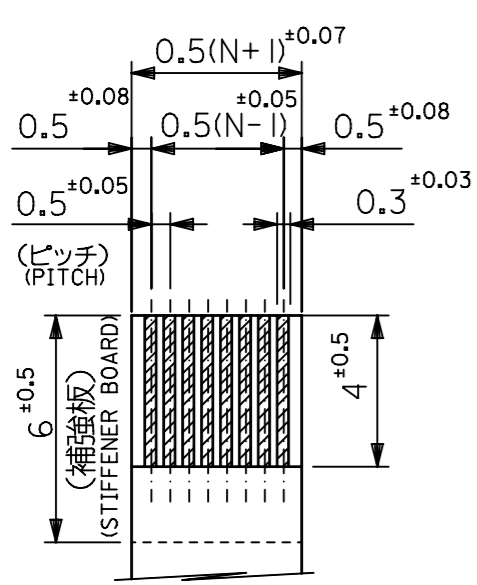
10 ^{UNDER}	±0.2
10 ^{OVER} 30 ^{UNDER}	±0.25
30 ^{OVER}	±0.3
ANGULAR	±3°



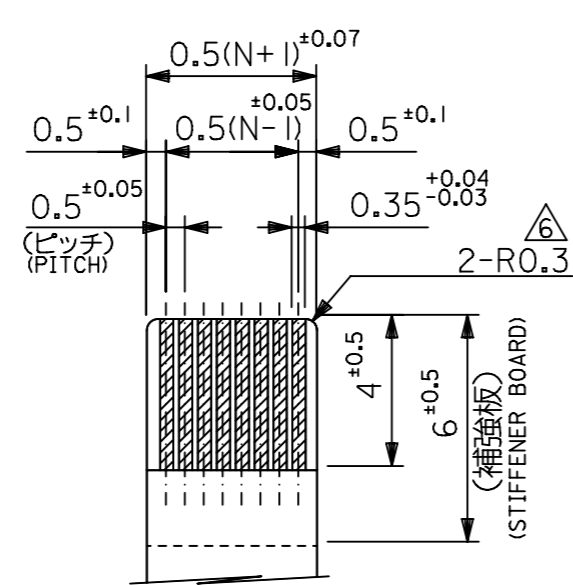
FPCについて：
 打抜き方向は導体側から補強板側を推奨致します。
 補強フィルム材質はポリイミドを推奨致します。
 接着剤は熱硬化接着剤を推奨致します。

ABOUT FPC :
 RECOMMENDED PUNCHER DIRECTION : FROM CONDUCTOR SIDE TO STIFFENER BOARD SIDE.
 RECOMMENDED MATERIAL :
 STIFFENER FILM : POLYIMIDE
 BONDING AGENT : THERMOSETTING BONDING AGENT

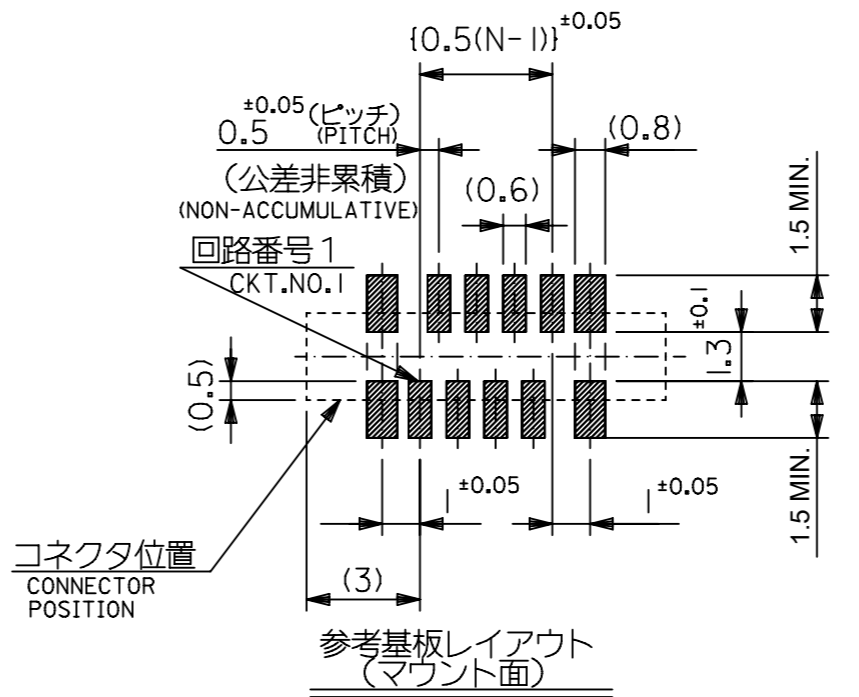
下面図
BOTTOM VIEW



適合F F C推奨寸法
APPLICABLE FFC
RECOMMENDED DIMENSION.
 (仕上がり厚さ: 0.3 ± 0.05)
 (THICKNESS: 0.3 ± 0.05)



適合F P C推奨寸法
APPLICABLE FPC
RECOMMENDED DIMENSION.
 (仕上がり厚さ: 0.3 ± 0.05)
 (THICKNESS: 0.3 ± 0.05)



25.7	24.9	20.65	19.5	52559-40	19	40
23.7	22.9	18.65	17.5	-36	19	36
22.2	21.4	17.15	16.0	-33	19	33
21.7	20.9	16.65	15.5	-32	19	32
20.7	19.9	15.65	14.5	-30	19	30
19.7	18.9	14.65	13.5	-28	19	28
19.2	18.4	14.15	13.0	-27	19	27
18.7	17.9	13.65	12.5	-26	19	26
18.2	17.4	13.15	12.0	-25	19	25
17.7	16.9	12.65	11.5	-24	19	24
17.2	16.4	12.15	11.0	-23	19	23
16.7	15.9	11.65	10.5	-22	19	22
16.2	15.4	11.15	10.0	-21	19	21
15.7	14.9	10.65	9.5	-20	19	20
14.7	13.9	9.65	8.5	-18	19	18
14.2	13.4	9.15	8.0	-17	19	17
13.7	12.9	8.65	7.5	-16	19	16
13.2	12.4	8.15	7.0	-15	19	15
12.7	11.9	7.65	6.5	-14	19	14
12.2	11.4	7.15	6.0	-13	19	13
11.7	10.9	6.65	5.5	-12	19	12
10.7	9.9	5.65	4.5	-10	19	10
10.2	9.4	5.15	4.0	-09	19	9
9.7	8.9	4.65	3.5	-08	19	8
8.7	7.9	3.65	2.5	52559-06	19	6
D	C	B	(A)	MATERIAL NO.	極数 CKT.	

THIS DRAWING CONTAINS INFORMATION THAT IS PROPRIETARY TO MOLEX ELECTRONIC TECHNOLOGIES, LLC AND SHOULD NOT BE USED WITHOUT WRITTEN PERMISSION

mm NTS

GENERAL TOLERANCES (UNLESS SPECIFIED)

ANGULAR TOL ± °

4 PLACES ±

3 PLACES ±

2 PLACES ±

1 PLACE ±

0 PLACES ±

DRAFT WHERE APPLICABLE MUST REMAIN WITHIN DIMENSIONS

THIRD ANGLE PROJECTION

DRAWING A3-SIZE

SERIES 52559

MATERIAL NUMBER SEE CHART

CUSTOMER GENERAL MARKET

SHEET NUMBER 2 OF 2

EC NO: 719890
 DRWN: NARENC 2022/08/22
 CHK'D: SMARUYAMA 2022/09/05
 APPR: YNAITO 2022/09/05

INITIAL REVISION:
 DRWN: HSHIMABUKURO 2004/01/07
 APPR: MSASAO 2004/01/08

DOCUMENT NUMBER SD-52559-045

DOC TYPE PSD

DOC PART 001

REVISION B

PRODUCT CUSTOMER DRAWING

0.5 FPC CONN ZIF FOR SMT
 S/T SHEET 1 OF 2 - LEAD FREE-

GENERAL TOLERANCES (UNLESS SPECIFIED)

10 ^{UNDER}	±0.2
10 ^{OVER} 30 ^{UNDER}	±0.25
30 ^{OVER}	±0.3
ANGULAR	±3 °