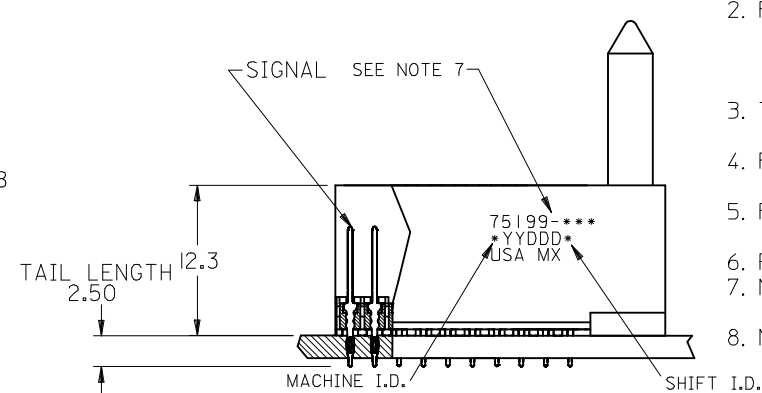
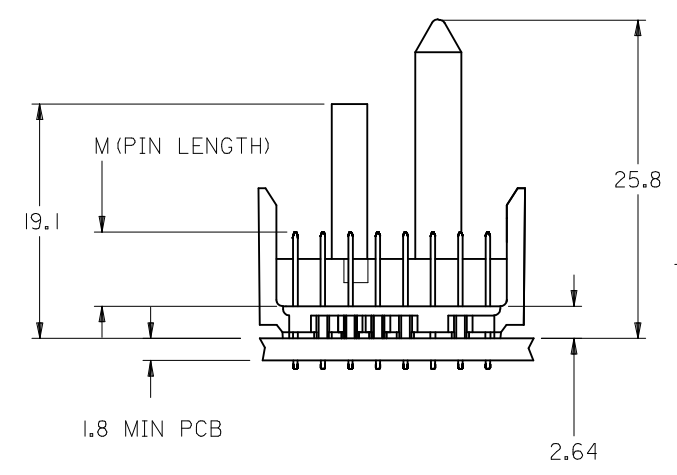


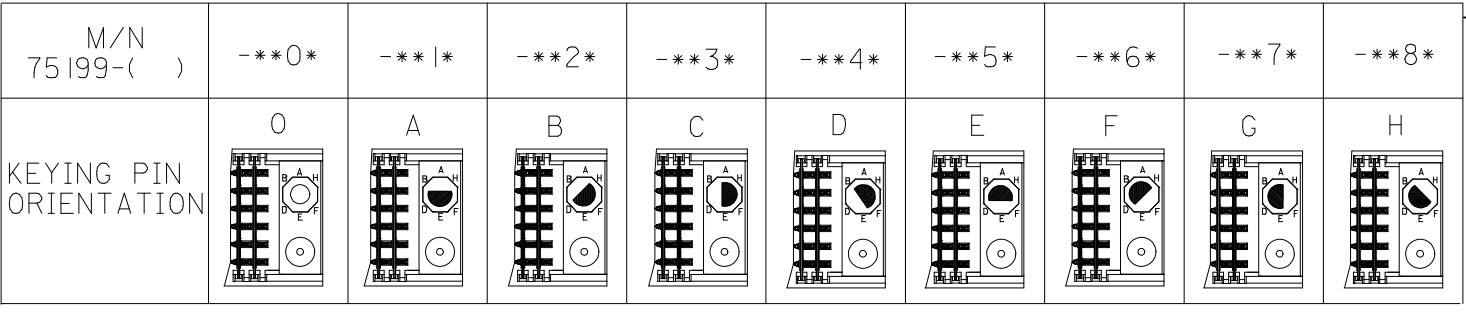
- NOTES:
- MATERIALS:  
HOUSING - LIQUID CRYSTAL POLYMER (LCP),  
GLASS-FILLED, UL 94V-0, COLOR: BLACK  
SIGNAL PIN - COPPER ALLOY
  - FINISHES:  
CONTACT AREA: SELECTIVE GOLD (Au)  
PCB TAILS: SELECTIVE MATTE TIN (Sn)  
NICKEL (Ni) OVERALL.
  - THIS PART CONFORMS TO MOLEX PRODUCT SPECIFICATION PS-74031-999
  - FOR MIXED CONTACT LENGTHS CONSULT MOLEX FOR AVAILABILITY
  - FOR SPECIFIC MATERIAL NUMBERS & MATING INFORMATION REFER TO SHEET 2
  - PACKAGE PER PK-74061-003
  - MARK PART WITH PART NUMBER & DATE CODE APPROXIMATELY WHERE SHOWN
  - MAPS (MOLEX ADVANCED PLATING SYSTEM).



THE PRIMARY CARTON WITH A LABEL STATING "ELV AND RoHS COMPLAINT" IS LEAD FREE. CARTONS WITHOUT THIS LABEL MAY CONTAIN LEAD.

<b>LEAD FREE CONVERSION</b> EC NO: UCP2013-0687 DRAWINGS 2012/08/24 CHKD: MWOLFE 2012/11/20 APPR: SMILLER 2012/12/14 G	QUALITY SYMBOLS $\nabla F=0$ $\nabla F=0$ $\nabla F=0$	GENERAL TOLERANCES (UNLESS SPECIFIED) <table border="1"> <thead> <tr> <th></th> <th>mm</th> <th>INCH</th> </tr> </thead> <tbody> <tr> <td>4 PLACES</td> <td><math>\pm</math> ---</td> <td><math>\pm</math> ---</td> </tr> <tr> <td>3 PLACES</td> <td><math>\pm</math> ---</td> <td><math>\pm</math> ---</td> </tr> <tr> <td>2 PLACES</td> <td><math>\pm</math> ---</td> <td><math>\pm</math> ---</td> </tr> <tr> <td>1 PLACE</td> <td><math>\pm</math> ---</td> <td><math>\pm</math> ---</td> </tr> <tr> <td>0 PLACE</td> <td><math>\pm</math></td> <td><math>\pm</math></td> </tr> </tbody> </table>		mm	INCH	4 PLACES	$\pm$ ---	$\pm$ ---	3 PLACES	$\pm$ ---	$\pm$ ---	2 PLACES	$\pm$ ---	$\pm$ ---	1 PLACE	$\pm$ ---	$\pm$ ---	0 PLACE	$\pm$	$\pm$	DIMENSION STYLE <b>MM ONLY</b>	SCALE <b>2.5:1</b>	DESIGN UNITS <b>METRIC</b>	THIRD ANGLE PROJECTION
		mm	INCH																					
	4 PLACES	$\pm$ ---	$\pm$ ---																					
	3 PLACES	$\pm$ ---	$\pm$ ---																					
2 PLACES	$\pm$ ---	$\pm$ ---																						
1 PLACE	$\pm$ ---	$\pm$ ---																						
0 PLACE	$\pm$	$\pm$																						
DRAWN BY JMELTON	DATE 2010/05/19	CHECKED BY SDANNELLEY	DATE 2010/05/19	TITLE <b>VHDM LITE 8 ROW SHIELD END BACKPLANE SALES ASSEMBLY</b>																				
APPROVED BY SMILLER	DATE 2010/07/14	MATERIAL NO. <b>SEE SHT.2</b>	DOCUMENT NO. <b>SD-75199-001</b>	SHEET NO. <b>1 OF 2</b>																				
DRAFT WHERE APPLICABLE MUST REMAIN WITHIN DIMENSIONS		SIZE <b>B</b>	THIS DRAWING CONTAINS INFORMATION THAT IS PROPRIETARY TO MOLEX INCORPORATED AND SHOULD NOT BE USED WITHOUT WRITTEN PERMISSION																					

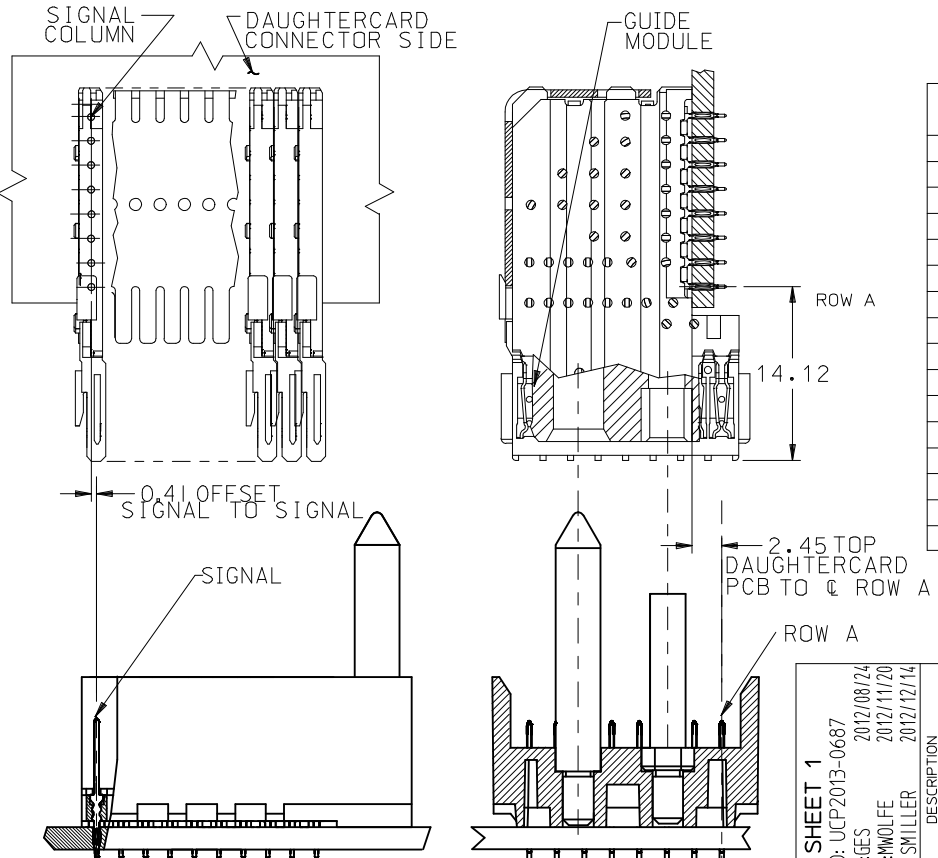
10 9 8 7 6 5 4 3 2 1



75199 - \* \* \* \*

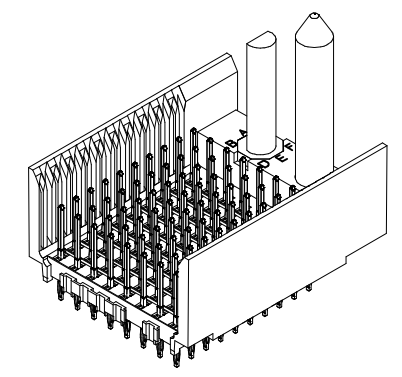
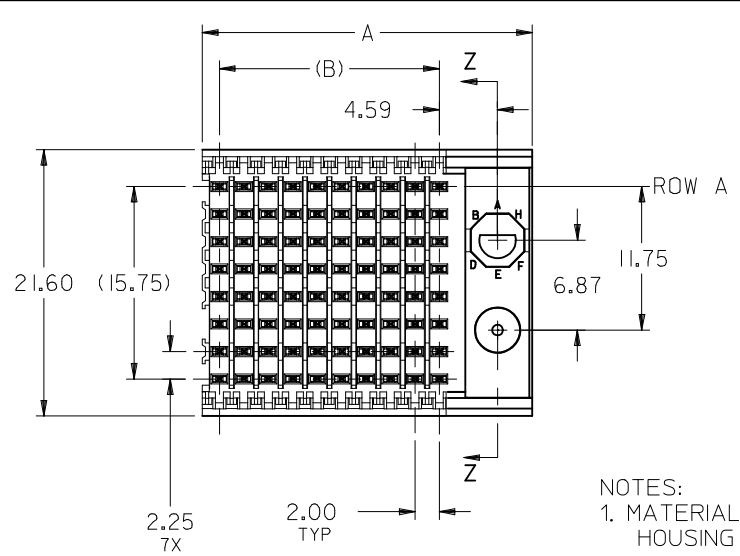
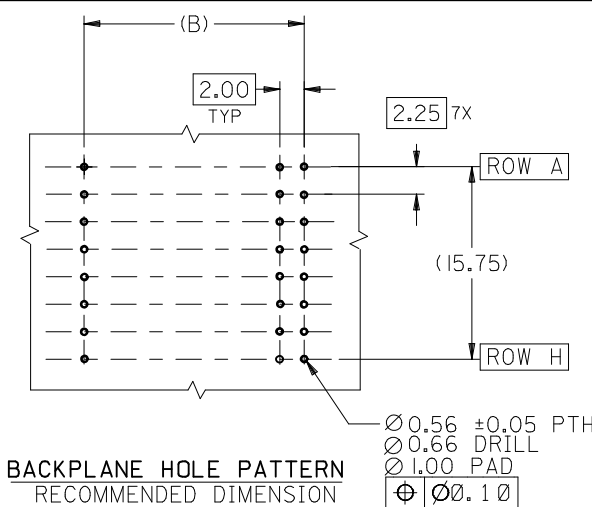
NUMBER OF COLUMNS/PLATING  
 10 = 10 COLUMN MATTE TIN (FORMERLY TIN/LEAD)  
 25 = 25 COLUMN MATTE TIN (FORMERLY TIN/LEAD)  
 60 = 10 COLUMN MATTE TIN (MAPS)  
 75 = 25 COLUMN MATTE TIN (MAPS)  
 90 = 10 COLUMN MATTE TIN  
 85 = 25 COLUMN MATTE TIN

CONTACT LOAD  
(PIN HEIGHT)  
 1 = 4.75  
 2 = 6.25  
 3 = 4.25  
 4 = 5.15

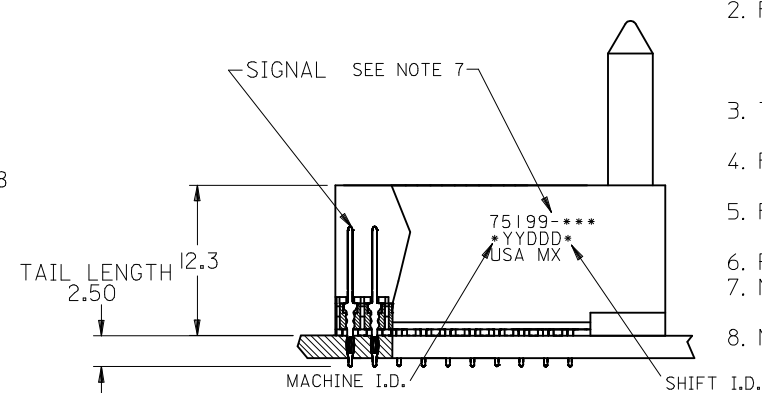
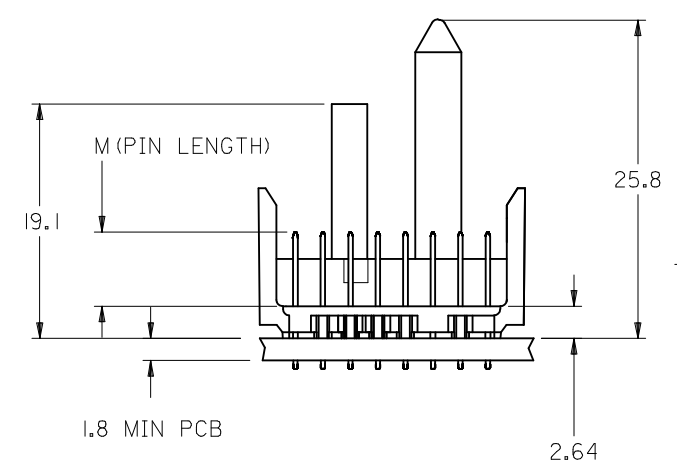


PART NUMBER	COLUMN	NUMBER OF SIGNAL PIN	NUMBER OF SHIELD	A	B	M	GOLD THICKNESS MICROMETER	TIN THICKNESS MICROMETER
75199-60*1	10	80	0	27.00	18.00	4.75	0.25 MAPS	0.76-152
75199-*0*1							0.76	
75199-75*1	25	200	0	57.00	48.00	6.25	0.25 MAPS	
75199-*5*1							0.76	
75199-60*2	10	80	0	27.00	18.00	6.25	0.25 MAPS	
75199-*0*2							0.76	
75199-75*2	25	200	0	57.00	48.00	4.25	0.25 MAPS	
75199-*5*2							0.76	
75199-60*3	10	80	0	27.00	18.00	5.15	0.25 MAPS	
75199-*0*3							0.76	
75199-75*3	25	200	0	57.00	48.00	4.25	0.25 MAPS	
75199-*5*3							0.76	
75199-60*4	10	80	0	27.00	18.00	5.15	0.25 MAPS	
75199-*0*4							0.76	
75196-75*4	25	200	0	57.00	48.00	5.15	0.25 MAPS	
75199-*5*4							0.76	

SEE SHEET 1 EC NO: UCP2013-0687 DRWNGES 2012/08/24 CHKD:MMOLFE 2012/11/20 APPR:SMILLER 2012/12/14 REV DESCRIPTION	QUALITY SYMBOLS	GENERAL TOLERANCES (UNLESS SPECIFIED)	DIMENSION STYLE MM ONLY	SCALE 2.5:1	DESIGN UNITS METRIC	THIRD ANGLE PROJECTION	
	▽=0	4 PLACES ± --- ± ---	DRAWN BY DATE JMELTON 2010/05/19	TITLE	VHDM LITE 8 ROW SHIELD END BACKPLANE SALES ASSEMBLY		
	▽=0	3 PLACES ± --- ± ---	CHECKED BY DATE SDANNELLEY 2010/05/19	MATERIAL NO.	DOCUMENT NO.	SD-75199-001	
	▽=0	2 PLACES ± --- ± ---	APPROVED BY DATE SMILLER 2010/07/14	SEE TABLE	SHEET NO. 2 OF 2		
ANGULAR ±1/2° DRAFT WHERE APPLICABLE MUST REMAIN WITHIN DIMENSIONS		THIS DRAWING CONTAINS INFORMATION THAT IS PROPRIETARY TO MOLEX INCORPORATED AND SHOULD NOT BE USED WITHOUT WRITTEN PERMISSION					



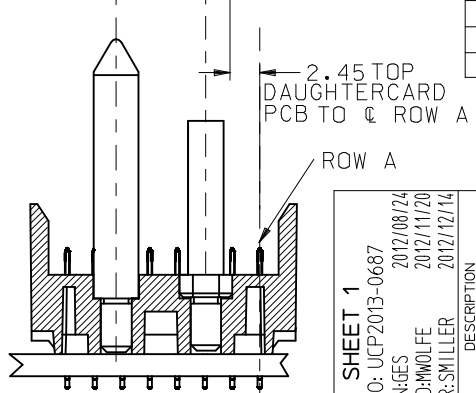
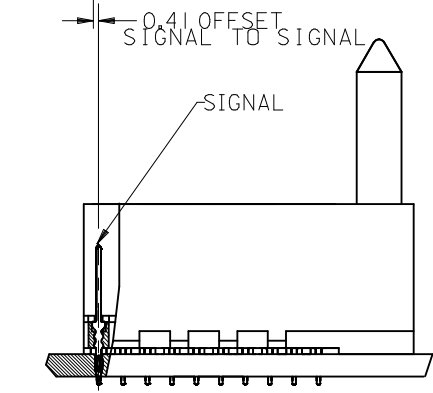
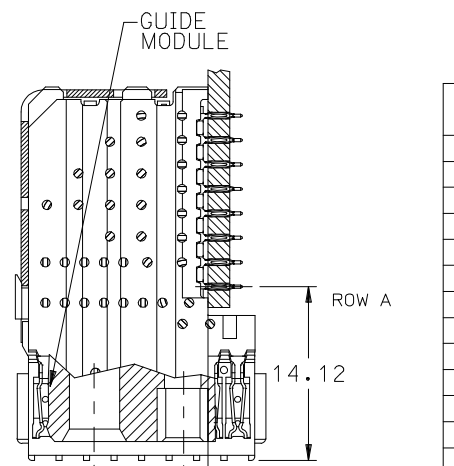
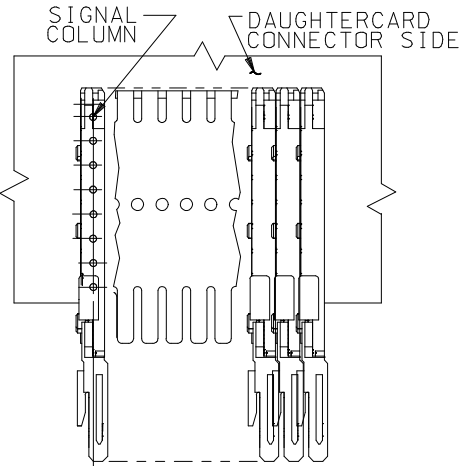
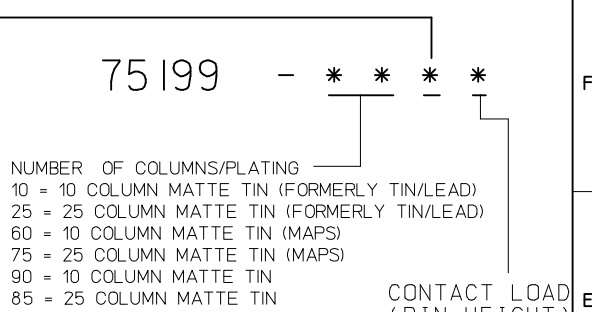
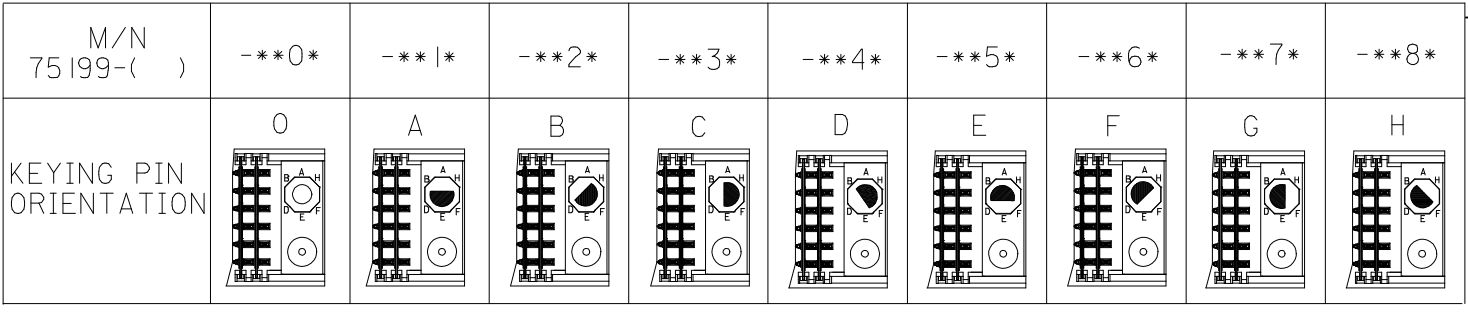
- NOTES:
- MATERIALS:  
HOUSING - LIQUID CRYSTAL POLYMER (LCP),  
GLASS-FILLED, UL 94V-0, COLOR: BLACK  
SIGNAL PIN - COPPER ALLOY
  - FINISHES:  
CONTACT AREA: SELECTIVE GOLD (Au)  
PCB TAILS: SELECTIVE MATTE TIN (Sn)  
NICKEL (Ni) OVERALL.
  - THIS PART CONFORMS TO MOLEX PRODUCT SPECIFICATION PS-74031-999
  - FOR MIXED CONTACT LENGTHS CONSULT MOLEX FOR AVAILABILITY
  - FOR SPECIFIC MATERIAL NUMBERS & MATING INFORMATION REFER TO SHEET 2
  - PACKAGE PER PK-74061-003
  - MARK PART WITH PART NUMBER & DATE CODE APPROXIMATELY WHERE SHOWN
  - MAPS (MOLEX ADVANCED PLATING SYSTEM).



THE PRIMARY CARTON WITH A LABEL STATING "ELV AND RoHS COMPLAINT" IS LEAD FREE. CARTONS WITHOUT THIS LABEL MAY CONTAIN LEAD.

<b>LEAD FREE CONVERSION</b> EC NO: UCP2013-0687 DRAWINGS 2012/08/24 CHKD: MWOLFE 2012/11/20 APPR: SMILLER 2012/12/14 G	QUALITY SYMBOLS F=0 F=0 F=0	GENERAL TOLERANCES (UNLESS SPECIFIED) <table border="1"> <thead> <tr> <th></th> <th>mm</th> <th>INCH</th> </tr> </thead> <tbody> <tr> <td>4 PLACES</td> <td>± ---</td> <td>± ---</td> </tr> <tr> <td>3 PLACES</td> <td>± ---</td> <td>± ---</td> </tr> <tr> <td>2 PLACES</td> <td>± ---</td> <td>± ---</td> </tr> <tr> <td>1 PLACE</td> <td>± ---</td> <td>± ---</td> </tr> <tr> <td>0 PLACE</td> <td>±</td> <td>±</td> </tr> </tbody> </table>		mm	INCH	4 PLACES	± ---	± ---	3 PLACES	± ---	± ---	2 PLACES	± ---	± ---	1 PLACE	± ---	± ---	0 PLACE	±	±	DIMENSION STYLE <b>MM ONLY</b>	SCALE <b>2.5:1</b>	DESIGN UNITS <b>METRIC</b>	THIRD ANGLE PROJECTION
		mm	INCH																					
	4 PLACES	± ---	± ---																					
	3 PLACES	± ---	± ---																					
2 PLACES	± ---	± ---																						
1 PLACE	± ---	± ---																						
0 PLACE	±	±																						
DRAWN BY JMELTON	DATE 2010/05/19	TITLE <b>VHDM LITE 8 ROW SHIELD END BACKPLANE SALES ASSEMBLY</b>																						
CHECKED BY SDANNELLEY	DATE 2010/05/19	<b>molex</b>																						
APPROVED BY SMILLER	DATE 2010/07/14	MATERIAL NO. <b>SEE SHT.2</b>	DOCUMENT NO. <b>SD-75199-001</b>	SHEET NO. <b>1 OF 2</b>	THIS DRAWING CONTAINS INFORMATION THAT IS PROPRIETARY TO MOLEX INCORPORATED AND SHOULD NOT BE USED WITHOUT WRITTEN PERMISSION																			

10 9 8 7 6 5 4 3 2 1

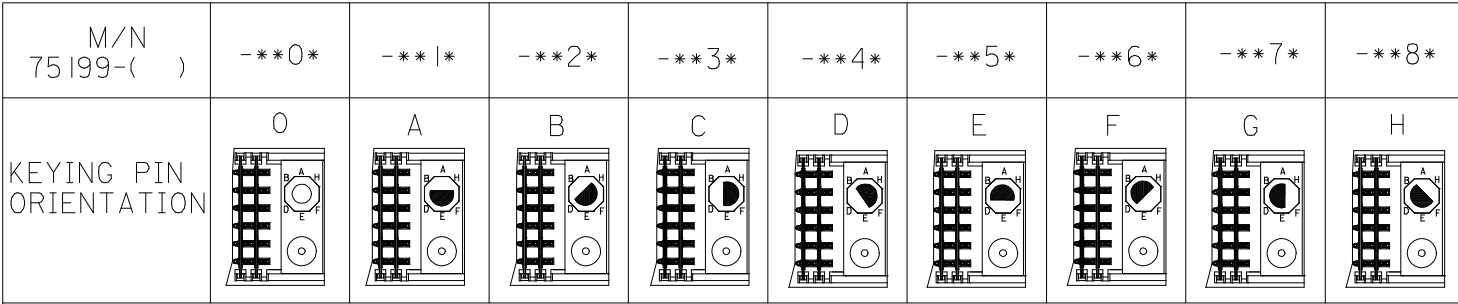


PART NUMBER	COLUMN	NUMBER OF SIGNAL PIN	NUMBER OF SHIELD	A	B	M	GOLD THICKNESS MICROMETER	TIN THICKNESS MICROMETER
75199-60*1	10	80	0	27.00	18.00	4.75	0.25 MAPS	0.76-152
75199-*0*1							0.76	
75199-75*1	25	200	0	57.00	48.00	6.25	0.25 MAPS	
75199-*5*1							0.76	
75199-60*2	10	80	0	27.00	18.00	6.25	0.25 MAPS	
75199-*0*2							0.76	
75199-75*2	25	200	0	57.00	48.00	4.25	0.25 MAPS	
75199-*5*2							0.76	
75199-60*3	10	80	0	27.00	18.00	5.15	0.25 MAPS	
75199-*0*3							0.76	
75199-75*3	25	200	0	57.00	48.00	4.25	0.25 MAPS	
75199-*5*3							0.76	
75199-60*4	10	80	0	27.00	18.00	5.15	0.25 MAPS	
75199-*0*4							0.76	
75196-75*4	25	200	0	57.00	48.00	5.15	0.25 MAPS	
75199-*5*4							0.76	

SECTION Z-Z  
ROTATED 90°

SEE SHEET 1 EC NO: UCP2013-0687 DRWNGES 2012/08/24 CHKD:MMOLFE 2012/11/20 APPR:SMILLER 2012/12/14 G	QUALITY SYMBOLS ▽=0 ▽=0 ▽=0	GENERAL TOLERANCES (UNLESS SPECIFIED) mm INCH 4 PLACES ± --- ± --- 3 PLACES ± --- ± --- 2 PLACES ± --- ± --- 1 PLACE ± --- ± --- 0 PLACE ± ±	DIMENSION STYLE MM ONLY DRAWN BY DATE JMELTON 2010/05/19 CHECKED BY DATE SDANNELLEY 2010/05/19 APPROVED BY DATE SMILLER 2010/07/14	SCALE 2.5:1 DESIGN UNITS METRIC THIRD ANGLE PROJECTION	TITLE VHDM LITE 8 ROW SHIELD END BACKPLANE SALES ASSEMBLY <b>molex</b>
		ANGULAR ±1/2° DRAFT WHERE APPLICABLE MUST REMAIN WITHIN DIMENSIONS	MATERIAL NO. SEE TABLE	DOCUMENT NO. SD-75199-001	SHEET NO. 2 OF 2
		THIS DRAWING CONTAINS INFORMATION THAT IS PROPRIETARY TO MOLEX INCORPORATED AND SHOULD NOT BE USED WITHOUT WRITTEN PERMISSION			

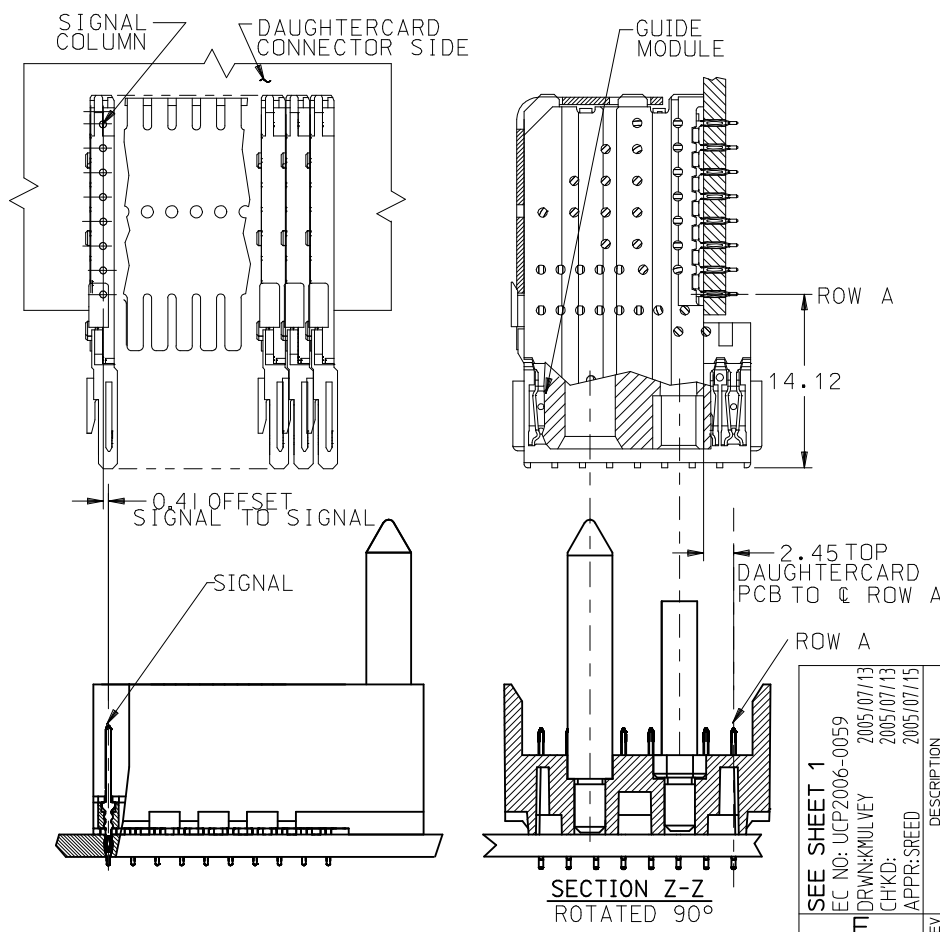
10 9 8 7 6 5 4 3 2 1



75199 - \* \* \* \*

NUMBER OF COLUMNS/PLATING  
 10 = 10 COLUMN TIN/LEAD  
 25 = 25 COLUMN TIN/LEAD  
 90 = 10 COLUMN MATTE TIN  
 85 = 25 COLUMN MATTE TIN

CONTACT LOAD (PIN HEIGHT)  
 1 = 4.75  
 2 = 6.25  
 3 = 4.25  
 4 = 5.15



PART NUMBER	COLUMN	NUMBER OF SIGNAL	NUMBER OF PIN	NUMBER OF SHIELD	A	B	M	Au (um) THICKNESS	Sn (um) THICKNESS
75199-0*1	10	80		0	27.00	18.00	4.75	0.76	0.76-1.52
75199-5*1	25	200		0	57.00	48.00		---	
75199-0*2	10	80		0	27.00	18.00	6.25	0.76	
75199-5*2	25	200		0	57.00	48.00		---	
75199-0*3	10	80		0	27.00	18.00	4.25	0.76	
75199-5*3	25	200		0	57.00	48.00		---	
75199-0*4	10	80		0	27.00	18.00	5.15	0.76	
75199-5*4	25	200		0	57.00	48.00		---	

9 8 7 6 5 4 3 2 1

SEE SHEET 1  
 EC NO: UCP2006-0059  
 DRAWN: K MULVEY 2005/07/13  
 CHKD: 2005/07/13  
 APPR: S REED 2005/07/15

QUALITY SYMBOLS  
 ▽=0  
 ▽=0

GENERAL TOLERANCES (UNLESS SPECIFIED)

	mm	INCH
4 PLACES	± ---	± ---
3 PLACES	± ---	± ---
2 PLACES	± ---	± ---
1 PLACE	± ---	± ---

ANGULAR ±1/2°

DRAFT WHERE APPLICABLE  
MUST REMAIN WITHIN DIMENSIONS

DIMENSION STYLE  
MM ONLY

DRAWN BY DATE  
MBANDURA 2002/10/17

CHECKED BY DATE  
NMARTIN 2002/10/17

APPROVED BY DATE  
CBIXLER 2002/10/17

SCALE  
2.5:1

DESIGN UNITS  
METRIC

THIRD ANGLE PROJECTION

TITLE  
VHDM LITE 8 ROW  
SHIELD END BACKPLANE  
SALES ASSEMBLY

MATERIAL NO.  
SEE CHART

DOCUMENT NO.  
SD-75199-001

SHEET NO.  
2 OF 2

THIS DRAWING CONTAINS INFORMATION THAT IS PROPRIETARY TO MOLEX INCORPORATED AND SHOULD NOT BE USED WITHOUT WRITTEN PERMISSION