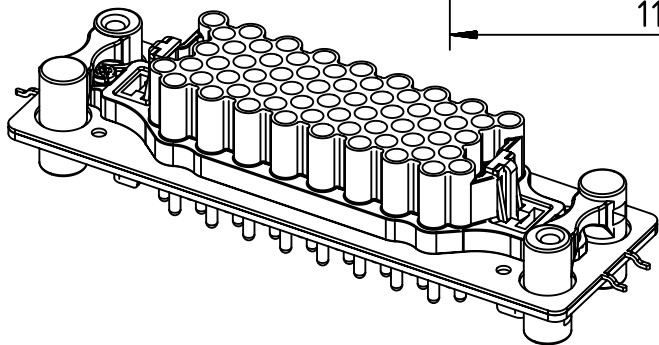
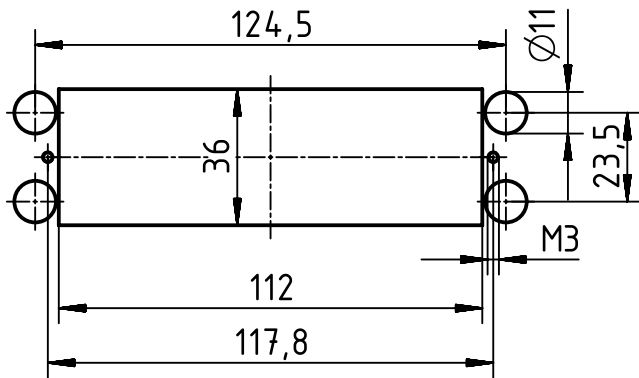



panel cut out (1:2)



	All Dimensions in mm Original Size DIN A4		Scale 1:1	Free size tol.		Ref.
	All rights reserved Department EL PD - DE		Created by HOLLERT	Inspected by SPILKERN	Standardisation SCHMIDTM	Sub.
HARTING Electric GmbH & Co. KG D-32339 Espelkamp		Title <b>Han 64EEE panel feed through</b>			Date 2015-02-05	State Final Release
					Doc-Key / ECM-Nr. 100577514/UGD/001/C 500000084556	Rev. <b>C</b>
			Type TB	Number 09 32 064 0001		Page 1/1