

6

5

4

3

2

1

SAP P/N#	ENGINEERING NO.
1200840030	WR5U40000

AUX VIEW
SCALE 3:4

FRONT VIEW

BACK VIEW

TYPICAL KNOCKOUT

NOTES:

1. MATERIAL: SEE TABLE
2. FINISHES: SEE TABLE
3. MATES WITH: M12 MALE CORD ASSY
4. ELECTRICAL SPECIFICATIONS:
VOLTAGE RATING: 60V AC/DC
CURRENT RATING: 4 AMPS
5. ASSEMBLY IS RoHS COMPLIANT

ITEM	QTY.	DESCRIPTION	MATERIAL	FINISH
7	1	POTTING MATERIAL	EPDXY	
6	1	PANEL NUT, M16 X 1.5	Cu ALLOY	NICKEL PLATED
5	1	O-RING	VITON	RED
4	1	O-RING	NITRILE	BLACK
3	5	SOCKET CONTACT	Cu ALLOY	GOLD PLATED
2	1	INSERT	NYLON	BLACK
1	1	RECEPTACLE SHELL	BRASS	NICKEL PLATED

SD RELEASE EC NO: WEL2010-0046 8/28/09 DRWN: VOU CHKD: BWOODMAN09/08/31 APPR: JFMURPHY 2009/08/31	QUALITY SYMBOLS $\nabla=0$ $\nabla C=0$	GENERAL TOLERANCES (UNLESS SPECIFIED)		DIMENSION STYLE INCH/MM	SCALE 1:1	DESIGN UNITS INCH	THIRD ANGLE PROJECTION		
		4 PLACES ±--- ±---	3 PLACES ±--- ±0.05	2 PLACES ±--- ±0.10	1 PLACE ±--- ±0.20	DRAWN BY VOU	DATE 2009/08/28	TITLE ULTRA-LOCK RECPT BPM M16 FEMALE 5P M12 A-CODE PCB MOUNT	
		ANGULAR ±1°				CHECKED BY BWOODMAN	DATE 2009/08/31	MOLEX INCORPORATED	
		DRAFT WHERE APPLICABLE MUST REMAIN WITHIN DIMENSIONS				APPROVED BY JFMURPHY	DATE 2009/08/28	MATERIAL NO. SEE CHART	DOCUMENT NO. SD-120084-009

6

5

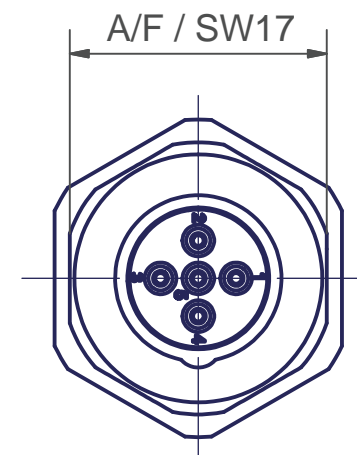
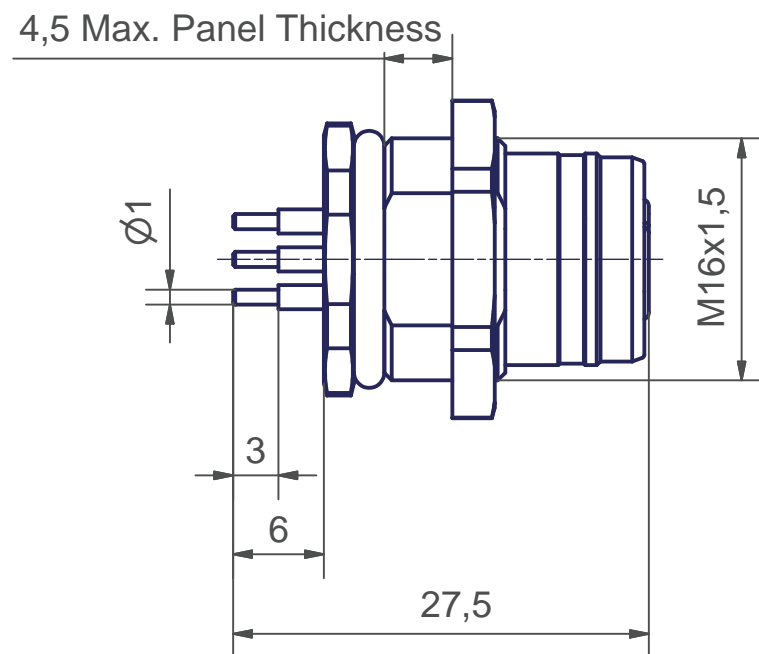
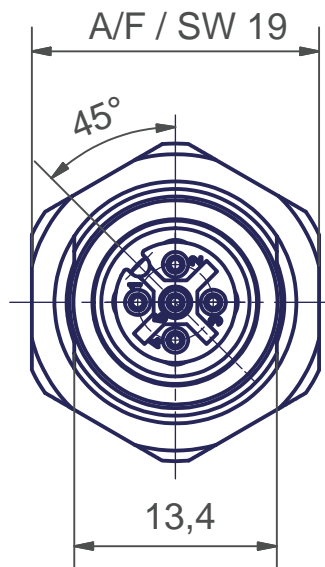
4

3

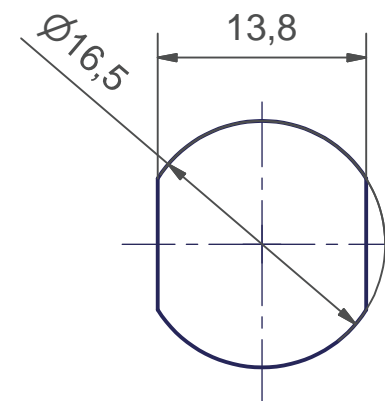
2

1

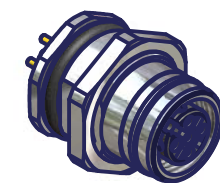
Art. Nr. / p/n	SAP Nr.
WR5U40000	1200840030



Typical Knockout



(1:1)



Allgemeine Kennwerte General Characteristics		Norm Standard			
Polzahl	Number of contacts	IEC 947-5-2	5		
Bemessungsspannung	Rated Voltage	IEC 664	60V AC / DC		
Verschmutzungsgrad	Pollution Degree	IEC 664	3		
Betriebsstrom	Current carrying capacity	IEC 512-3 Test 5 b	4A		
Durchgangswiderstand	Contact Resistance	IEC 512-2 Test 2 A	< 5mΩ		
Bemessungsstoßspannung	Rated Impulse	IEC 664	2kV		
Prüfspannung	Test Voltage	IEC 60512-2 Test 4 A	1 kV / 60 sec		
Isolationswiderstand	Insulation Resistance	IEC 512-2 Test 3 A	< 10 GΩ		
IP - Schutzart	IP Degree Of Protection	IEC 529	IP 67		
Stift Durchmesser	Pin Diameter		1,0mm		
Werkstoffe	Kontakte	Materials	Contacts	Kupferlegierung / copper alloy	
	Kontaktoberfläche		Contacts Plating	Au/Ni	
	Kontaktträger		Dielectric Material	PA 6.6	
	Dichtung (O-Ring)		Gaskets (O-Ring)	NBR	
	Gehäuse		Housing	CuZn (brass) mit Ni-Oberfläche Nickel Plated	
Anschlußart	Termination		Solder		
Brennbarkeit	Kontaktträger	Flammfähigkeit	Inserts	UL 94	V-0
	Leitung / Kabel		Cable		VDE 0472 / 804
Mechanische Lebensdauer	Mechanical Operation		500 Steckzyklen / Mating Cycles		
Temperaturbereich	Temperature Range	IEC 60668-1	-25°C / +90°C		

This drawing and its contents are the proprietary and confidential property of Woodhead Industries Inc. and/or its subsidiaries and may not be used or disclosed to others without the express prior written consent of Woodhead Industries Inc. and/or its subsidiaries.					
		UNLESS OTHERWISE SPECIFIED x = ± 1 X.X = ± 0,1 X.XX = ± 0,05 Winkel = 1°		Scale 2:1 (1:1)	Dimensions mm
PROJECTION 1 : GER				Material Finish	
		Date	Name	M12U Rec 5-P Female Back Shielded M16x1,5	
		PROC 20.11.2007	US		
		CHK 20.11.2007	NS		
		Norm. 20.11.2007	NS		
		Woodhead Connectivity GmbH		SD-WR5U40000	
		Gewerbstraße 60 75015 Bretten-Gölshausen Tel.: 07252/9496-0 Fax: 07252/9496-199			
01	WEU2009-0056	20.11.07	US	Sheet 1	
Rev.	Change	Date	Name	A3	
				Filename SD-WR5U40000.idw	