

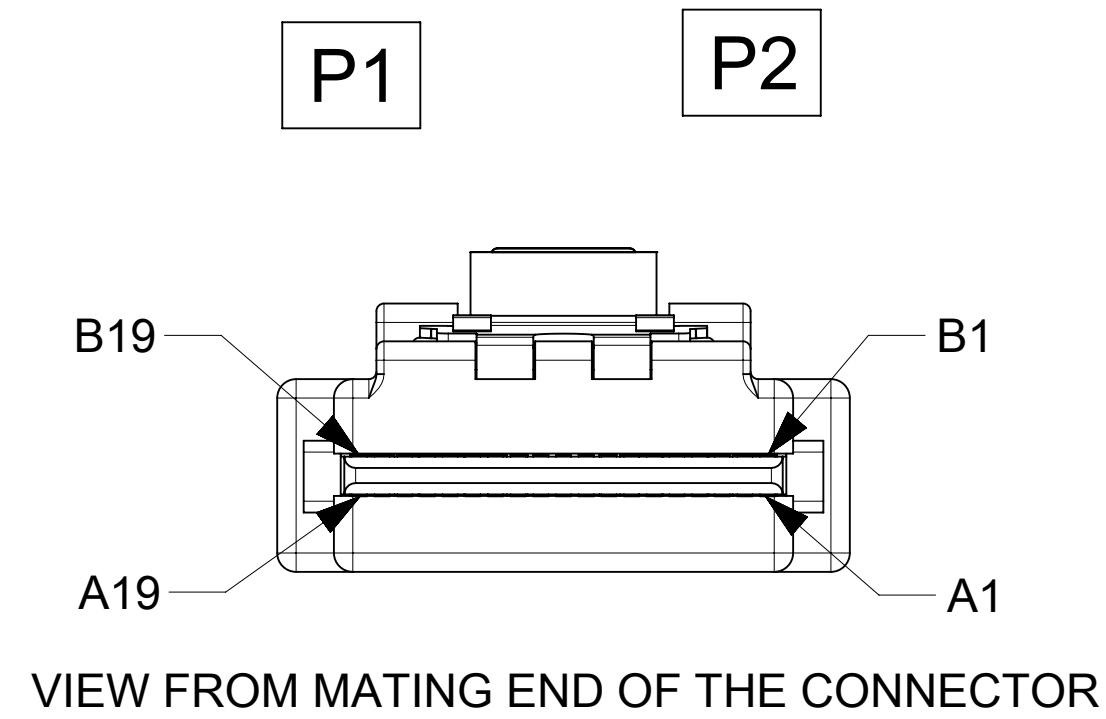
MOLEX P/N	LENGTH	TOLERANCE	AWG	IMPEDANCE	EE SPEC	LABEL CONTEXT
2073681000	152mm	±10 mm	32	100 OHMS	SAS 4.0	SAS4.0 100 Ohm
2073681001	300mm	±10 mm	32	100 OHMS	SAS 4.0	SAS4.0 100 Ohm
2073681003	500mm	±10 mm	32	100 OHMS	SAS 4.0	SAS4.0 100 Ohm
2073681002	1000mm	±15 mm	32	100 OHMS	SAS 4.0	SAS4.0 100 Ohm
2073681300	152mm	±10 mm	32	100 OHMS	SAS 3.0	SAS3.0 100 Ohm
2073681301	300mm	±10 mm	32	100 OHMS	SAS 3.0	SAS3.0 100 Ohm
2073681302	1000mm	±15 mm	32	100 OHMS	SAS 3.0	SAS3.0 100 Ohm
2073711001	300mm	±10 mm	32	85 OHMS	PCIe 4.0	PCIe4.0 85 Ohm
2073711002	1000mm	±15 mm	32	85 OHMS	PCIe 4.0	PCIe4.0 85 Ohm
2073711003	500mm	±10 mm	32	85 OHMS	PCIe 4.0	PCIe4.0 85 Ohm

NOTES:
 1. MATERIAL:
 HOUSING - PC 94V-0 BLACK
 LATCH - STAINLESS STEEL
 EXPANDO - PET
 CABLE - SHIELD: ALUMINIZED POLYESTER FOIL
 - SIGNAL PAIR : SILVER-COATED OR TIN-COATED COPPER
 - DRAIN: TIN-COATED COPPER
 - CONFORMS TO VW1
 PCB - FR4 (HALOGEN FREE)
 2. THIS PRODUCT CONFORMS TO THE MECHANICAL DIMENSIONING OF SFF-8654
 3. RoHS COMPLIANT. NO EXEMPTIONS

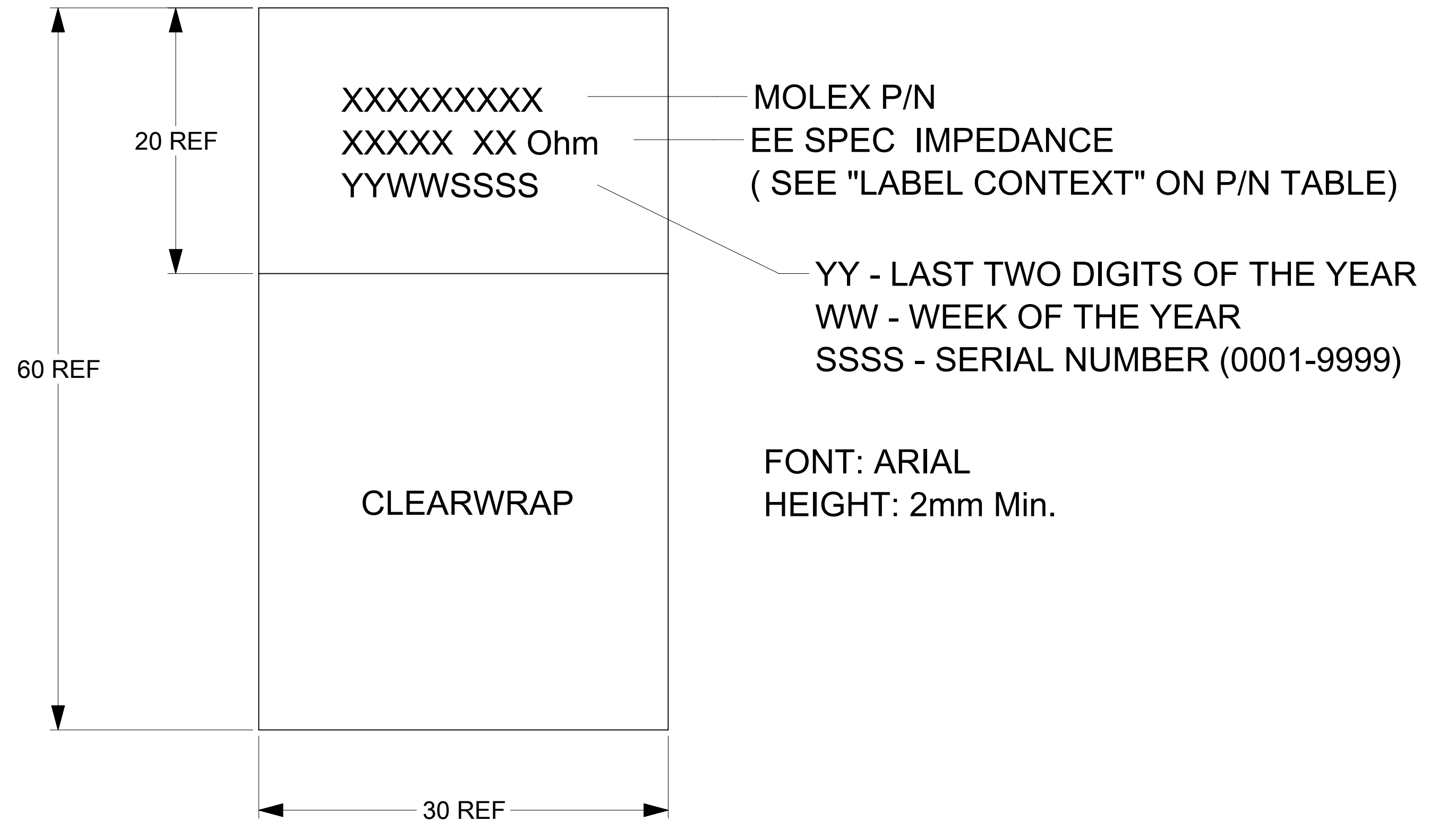
FUNCTIONAL SYMBOLS $F_A = 0$ $F_C = 0$ $F_P = 0$ DIVISIONAL SYMBOLS	THIS DRAWING CONTAINS INFORMATION THAT IS PROPRIETARY TO MOLEX ELECTRONIC TECHNOLOGIES, LLC AND SHOULD NOT BE USED WITHOUT WRITTEN PERMISSION		CURRENT REV DESC:				
	DIMENSION UNITS	SCALE	EC NO: 750333				
	mm	5:1	DRWN: RICKK2 2023/05/19				
	GENERAL TOLERANCES (UNLESS SPECIFIED)		CHK'D: RTSAI03 2023/05/23				
	ANGULAR TOL ± 3.0°		APPR: RTSAI03 2023/05/23				
4 PLACES ±		INITIAL REVISION:		DOCUMENT NUMBER	DOC TYPE	DOC PART	REVISION
3 PLACES ± 0.2		DRWN: LOU01 2018/06/28		2073681000	PSD	000	F
2 PLACES ± 0.3		APPR: VPENG01 2018/08/13		SEE P/N TABLE	GENERAL MARKET		SHEET NUMBER
1 PLACE ± 0.4		DRAFT WHERE APPLICABLE MUST REMAIN WITHIN DIMENSIONS		D-SIZE	207368	1 OF 3	
0 PLACES ±		THIRD ANGLE PROJECTION					

PINOUT DIAGRAM

P1		SIGNAL TYPE	P2	
GND	A1	—	B1	GND
RX0+	A2	←	B2	TX0+
RX0-	A3	←	B3	TX0-
GND	A4	—	B4	GND
RX1+	A5	←	B5	TX1+
RX1-	A6	←	B6	TX1-
GND	A7	—	B7	GND
SB	A8	↔	B8	SB
SB	A9	↔	B9	SB
SB	A10	↔	B10	SB
SB	A11	↔	B11	SB
SB	A12	↔	B12	SB
GND	A13	—	B13	GND
RX2+	A14	←	B14	TX2+
RX2-	A15	←	B15	TX2-
GND	A16	—	B16	GND
RX3+	A17	←	B17	TX3+
RX3-	A18	←	B18	TX3-
GND	A19	—	B19	GND
GND	B1	—	A1	GND
TX0+	B2	→	A2	RX0+
TX0-	B3	→	A3	RX0-
GND	B4	—	A4	GND
TX1+	B5	→	A5	RX1+
TX1-	B6	→	A6	RX1-
GND	B7	—	A7	GND
SB	B8	↔	A8	SB
SB	B9	↔	A9	SB
SB	B10	↔	A10	SB
SB	B11	↔	A11	SB
SB	B12	↔	A12	SB
GND	B13	—	A13	GND
TX2+	B14	→	A14	RX2+
TX2-	B15	→	A15	RX2-
GND	B16	—	A16	GND
TX3+	B17	→	A17	RX3+
TX3-	B18	→	A18	RX3-
GND	B19	—	A19	GND



LABEL DETAIL



——> = TRANSMIT TO RECEIVE ON HIGH SPEED CIRCUITS
 ——— = GND
 <——> = SIDEBAND
 NOTE: ALL SIGNAL GROUND ARE BUSSED IN PCB.

FUNCTIONAL SYMBOLS $F_A = 0$ $F_C = 0$ $F_D = 0$	THIS DRAWING CONTAINS INFORMATION THAT IS PROPRIETARY TO MOLEX ELECTRONIC TECHNOLOGIES, LLC AND SHOULD NOT BE USED WITHOUT WRITTEN PERMISSION		CURRENT REV DESC:		
	DIMENSION UNITS	SCALE	EC NO: 750333		
	mm	1:1	DRWN: RICKK2 2023/05/19		
	GENERAL TOLERANCES (UNLESS SPECIFIED)		CHK'D: RTSAI03 2023/05/23		
DIVISIONAL SYMBOLS	ANGULAR TOL	± 3.0°	APPR: RTSAI03 2023/05/23		PRODUCT CUSTOMER DRAWING DOCUMENT NUMBER: 2073681000 DOC TYPE: PSD DOC PART: 000 REVISION: F
	4 PLACES	±	INITIAL REVISION:		
	3 PLACES	± 0.2	DRWN: LOU01 2018/06/28		
	2 PLACES	± 0.3	APPR: VPENG01 2018/08/13		
1 PLACE	± 0.4	DRAFT WHERE APPLICABLE MUST REMAIN WITHIN DIMENSIONS		MATERIAL NUMBER: 207368 CUSTOMER: GENERAL MARKET SHEET NUMBER: 2 OF 3	
0 PLACES	±	THIRD ANGLE PROJECTION			

REVISION HISTORY			
DATE	REV	DESCRIPTION	ENGINEER
2020/8/10	B1	ADDED A LINE FROM B3 TO A3	DASH SUN
2020/12/09	C	ADDED ONE P/N 2073711003	SUNNYWK
2021/03/31	D	SHEET 1: UPDATED THE DRAWINGS WITH LATEST SLIMSAS 4X STR MODEL	SACHIN M K
2023/05/16	E	SHEET 2 : LABEL DESCRIPTION SSSS - PRODUCTION BATCH OF THE WEEK CHANGE TO SSSS - SERIAL NUMBER (0001-9999)	RICKK2
2023/05/19	F	SHEET 1 : NOTE ITEM 1 SIGNAL PAIR : SILVER-COAT COPPER , ADD OTHER OPTION TIN-COATED .	RICKK2

FUNCTIONAL SYMBOLS FA = 0 FC = 0 FP = 0 DIVISIONAL SYMBOLS	THIS DRAWING CONTAINS INFORMATION THAT IS PROPRIETARY TO MOLEX ELECTRONIC TECHNOLOGIES, LLC AND SHOULD NOT BE USED WITHOUT WRITTEN PERMISSION DIMENSION UNITS: mm SCALE: 1:1	CURRENT REV DESC: EC NO: 750333 DRWN: RICKK2 2023/05/19 CHK'D: RTSAI03 2023/05/23 APPR: RTSAI03 2023/05/23				
	GENERAL TOLERANCES (UNLESS SPECIFIED) ANGULAR TOL ± 3.0° 4 PLACES ± 3 PLACES ± 0.2 2 PLACES ± 0.3 1 PLACE ± 0.4 0 PLACES ±	INITIAL REVISION: DRWN: LOU01 2018/06/28 APPR: VPENG01 2018/08/13	PRODUCT CUSTOMER DRAWING DOCUMENT NUMBER: 2073681000 DOC TYPE: PSD DOC PART: 000 REVISION: F			
DRAFT WHERE APPLICABLE MUST REMAIN WITHIN DIMENSIONS 	THIRD ANGLE PROJECTION 	DRAWING: D-SIZE SERIES: 207368	MATERIAL NUMBER: SEE P/N TABLE CUSTOMER: GENERAL MARKET	SHEET NUMBER: 3 OF 3		