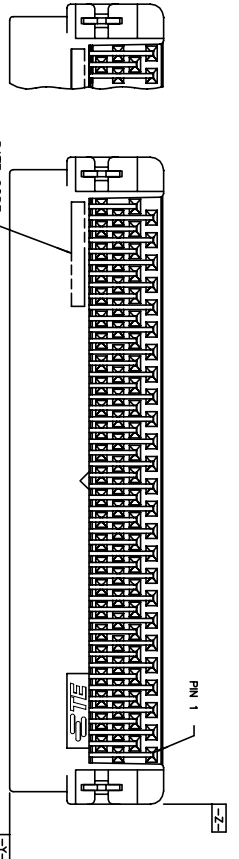


THIS DRAWING IS UNPUBLISHED.

RELEASED FOR PUBLICATION
ALL RIGHTS RESERVED.

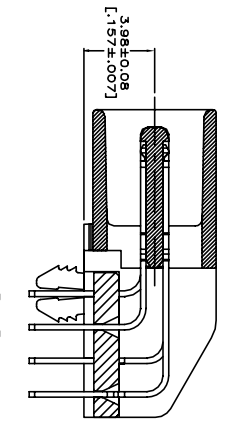
REVISIONS

P	LTR	DESCRIPTION	DATE	DNM	APVD
H1	ADDED NEW DASH 5-4 PER NEW REQUEST	26APR2021	SH	SZ	

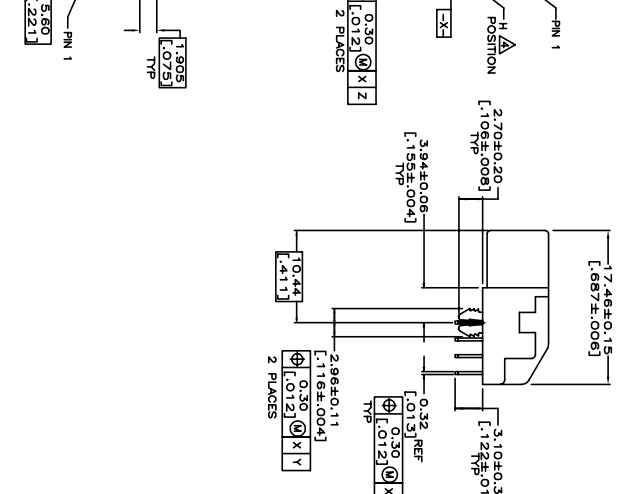
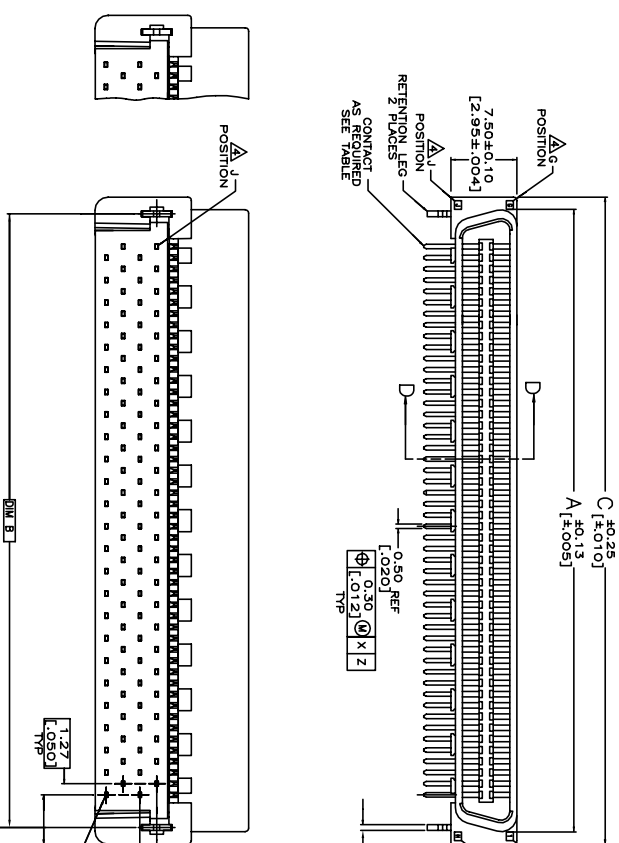


FOR 50 AND 130 POSITIONS ONLY

FOR 40, 60, 68, 80, 100, 120, 140, 160, 180 AND 200 POSITIONS ONLY



SECTION D-D
SCALE 8:1



NOTE:
1. MATERIAL: HOUSING: LCP, UL 94V-0, BLACK COLOR.
CONTACTS: BRASS.
BOARDLOOKS: BRASS.

FINISH:
CONTACTS: (SEE TABLE) GOLD PLATED ON CONTACT AREA, MIN. MATTE-TIN ON SOLDERABLE, OVER BOARDLOOKS: 3.81µm [150µ] MIN. NICKEL UNDERPLATED, 1.27µm [50µ] MIN. UNDERPLATED.

3. WAVE SOLDER CAPABLE TO 265°C PER TEST SPEC.
109-202, CONDITION B.
G, U, H, INDICATE NUMBER OF POSITION MARKED ON ASSEMBLY.
ALSO SEE TABLE.
GOLD FLASH OVER
0.762µm [30µ] MIN. PALLADIUM-NICKEL PLATED.

THIS DRAWING IS A CONTROLLED DOCUMENT.

DIM	31MAR2009
F. YANG	31MAR2009
S. CHIEN	31MAR2009
W. KODAMA	31MAR2009
108-57876	

DIMENSIONS:	TOLERANCES UNLESS OTHERWISE SPECIFIED:
0 PIC	±
1 PIC	±0.25
2 PIC	±0.2
3 PIC	±
4 PIC	±
5 PIC	±
ANGLES	±

APVD	DATE	DESCRIPTION
W. KODAMA	31MAR2009	108-57876

APPROVAL	DATE	DESCRIPTION
S. CHIEN	31MAR2009	108-57876

APPROVAL	DATE	DESCRIPTION
F. YANG	31MAR2009	108-57876

APPROVAL	DATE	DESCRIPTION
S. CHIEN	31MAR2009	108-57876

APPROVAL	DATE	DESCRIPTION
F. YANG	31MAR2009	108-57876

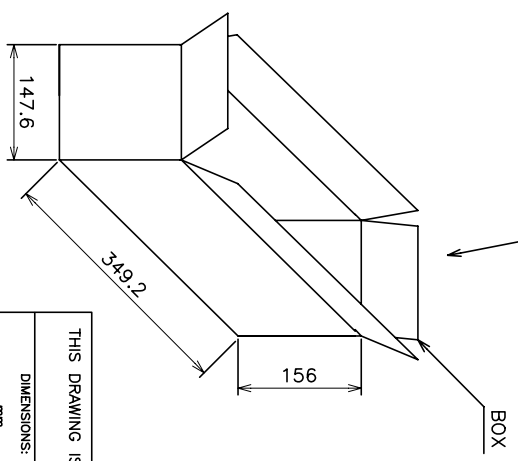
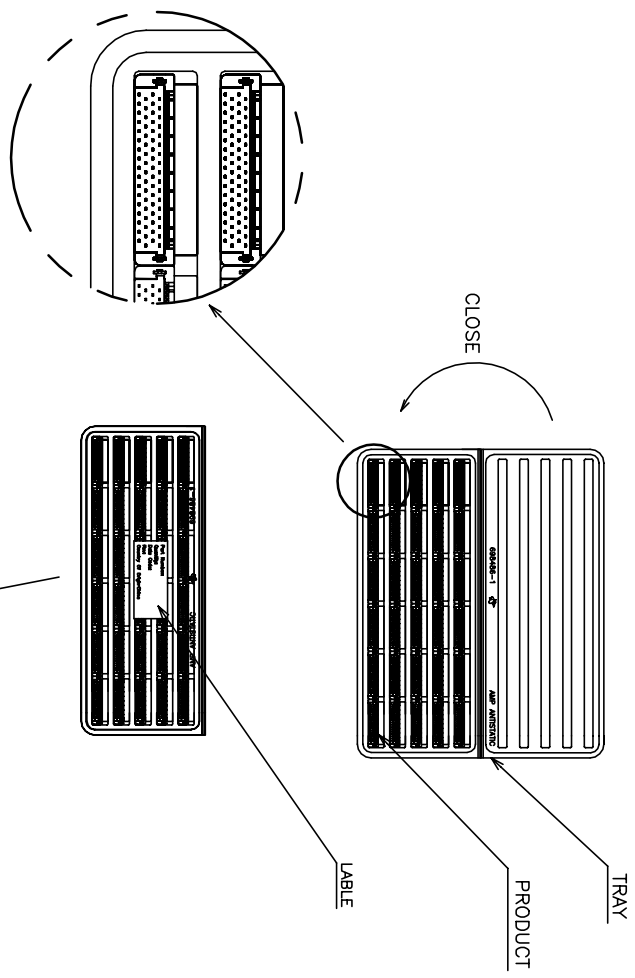
APPROVAL	DATE	DESCRIPTION
S. CHIEN	31MAR2009	108-57876

STE TE Connectivity

PLUG ASSEMBLY, R/A,
BTB, CHAMP .050, SERIES I

SIZE	QAGE CODE	DRAWING NO	RESTRICTED
A3	00779	1734099	NO

REVISIONS					
P	LTR	DESCRIPTION	DATE	DMN	APVD
-	-	SEE SHEET 1	-	-	-



POS.	QTY/ TRAY	TRAY/ BOX	QTY/ BOX	N/W (KG)	G/W (KG)	PART NUMBER
40	45	10	450	1.71	2.66	5-1734099-4
						6-1734099-8
						3-1734099-8
						1-1734099-8
						5-1734099-6
						3-1734099-6
						1-1734099-6
160	10	10	100	1.18	2.13	3-1734099-6
						1-1734099-6
200	10	10	100	1.40	2.35	3-1734099-8
						1-1734099-8
120	15	10	150	1.20	2.15	3-1734099-2
						1-1734099-2
68	30	10	300	1.69	2.64	4-1734099-7
						2-1734099-7
						1734099-7
60	30	10	300	1.53	2.48	2-1734099-6
						1734099-6
50	35	10	350	1.58	2.56	4-1734099-5
						2-1734099-5
						1734099-5
40	45	10	450	1.71	2.66	4-1734099-4
						2-1734099-4
						1734099-4

THIS DRAWING IS A CONTROLLED DOCUMENT.

DIMENSIONS:	TOLERANCES UNLESS OTHERWISE SPECIFIED:	DMN	CHK	APVD	PRODUCT SPEC	APPLICATION SPEC	WEIGHT	CUSTOMER DRAWING
mm	0 P/C ± 1 P/C ± 2 P/C ± 3 P/C ± 4 P/C ± ANGLES ±	-	-	-	-	-	-	-

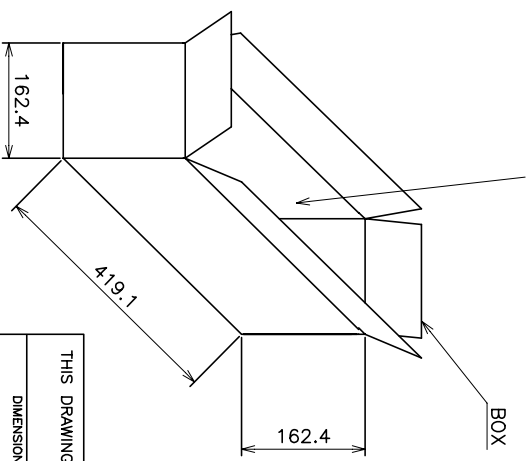
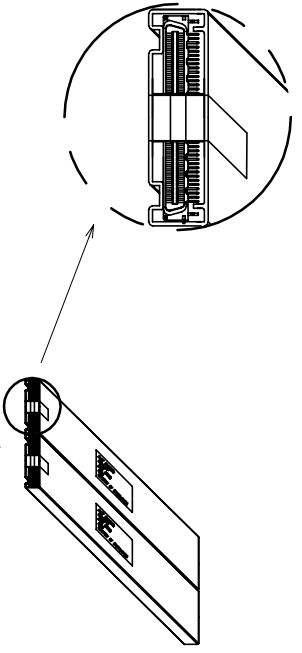
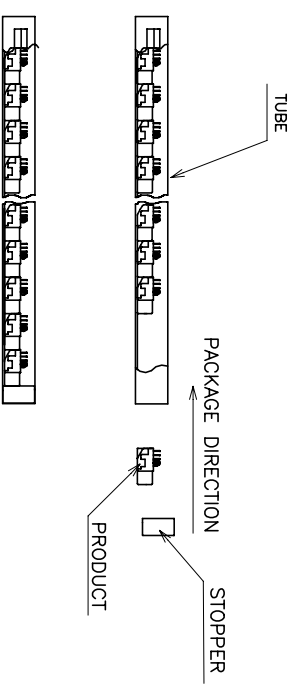
STE TE Connectivity

PLUG ASSEMBLY, R/A,
BTB, CHAMP .050, SERIES I

NAME	SIZE	QAGE CODE	DRAWING NO	RESTRICTED TO
A3	00779	1734099		

SCALE: 5 OF 5 SHEET: H1

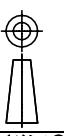
REVISIONS					
P	LTR	DESCRIPTION	DATE	DMN	APVD
-	-	SEE SHEET 1	-	-	-



POS.	QTY/ TUBE	TUBE/ BOX	QTY/ BOX	N/W (KG)	G/W (KG)	PART NUMBER
100	21	16	336	2.60	3.44	5-1734099-0 3-1734099-0 1-1734099-0
80	21	16	336	2.15	3.00	4-1734099-8 2-1734099-8 1734099-8

THIS DRAWING IS A CONTROLLED DOCUMENT.

DIMENSIONS:	TOLERANCES UNLESS OTHERWISE SPECIFIED:
mm	
0 P/C	±
1 P/C	±
2 P/C	±
3 P/C	±
4 P/C	±
ANGLES	±
FINISH	±



DMN	CHK	APVD	PRODUCT SPEC	APPLICATION SPEC	WEIGHT
-	-	-	-	-	-

STE TE Connectivity

PLUG ASSEMBLY, R/A,
BTB, CHAMP .050, SERIES I

NAME: _____
 SIZE: A3
 CAGE CODE: 00779
 DRAWING NO: 1734099
 RESTRICTED FOR: _____

CUSTOMER DRAWING

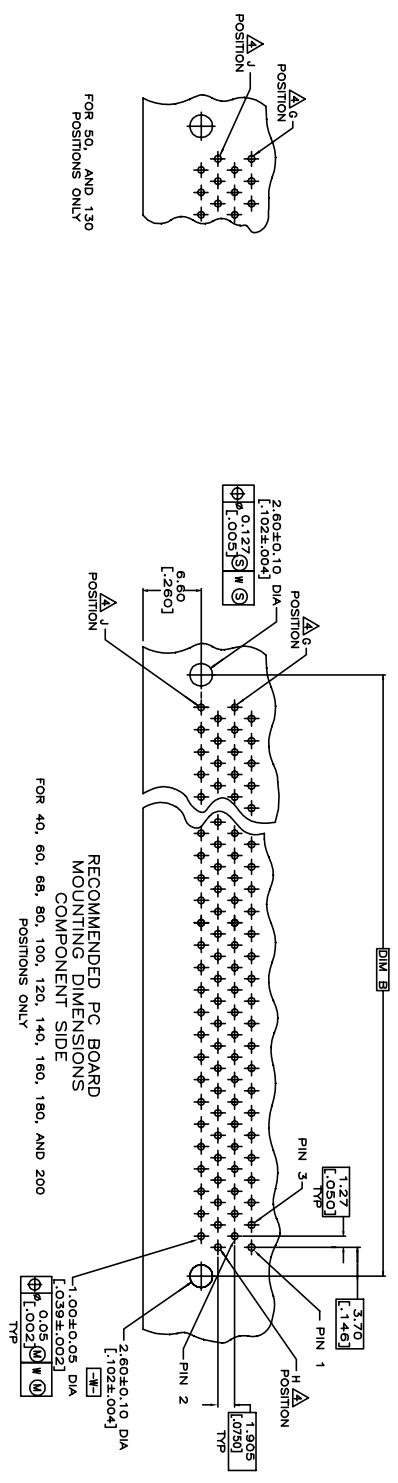
SCALE: _____ SHEET: 4 OF 5 REV: H1

THIS DRAWING IS UNPUBLISHED.
 COPYRIGHT - By - ALL RIGHTS RESERVED.

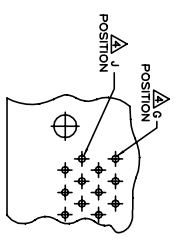
RELEASED FOR PUBLICATION
 ALL RIGHTS RESERVED.

REVISIONS

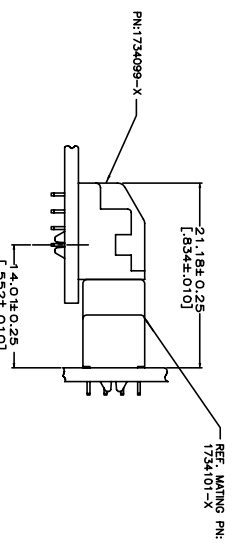
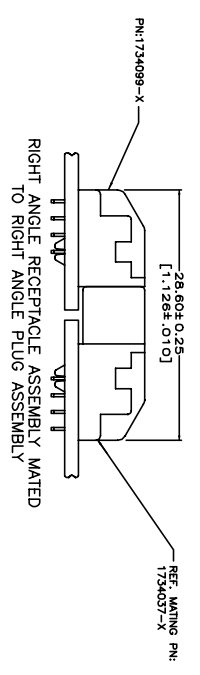
P	LTR	DESCRIPTION	DATE	DMN	APVD
-	-	SEE SHEET 1	-	-	-



RECOMMENDED PC BOARD
 MOUNTING DIMENSIONS
 COMPONENT SIDE
 FOR 40, 60, 68, 80, 100, 140, 160, 180, AND 200
 POSITIONS ONLY



FOR 50, AND 130
 POSITIONS ONLY



RIGHT ANGLE RECEPTACLE ASSEMBLY MATED
 TO VERTICAL PLUG ASSEMBLY

THIS DRAWING IS A CONTROLLED DOCUMENT.

DIM	CHK	APVD	NAME
-	-	-	-

DIMENSIONS:	TOLERANCES UNLESS OTHERWISE SPECIFIED:
mm	±
0 P/C	±
1 P/C	±
2 P/C	±
3 P/C	±
4 P/C	±
ANGLES	±

MATERIAL	FINISH	WEIGHT
-	-	-

APVD	NAME	SIZE	QAGE CODE	DRAWING NO	RESTRICTED TO
-	-	A3	00779	1734099	-

STE TE Connectivity
 PLUG ASSEMBLY, R/A,
 BTB, CHAMP .050, SERIES I

CUSTOMER DRAWING	SCALE	SHEET	REV
-	-	3 of 5	H1