



Electrical specifications

Center Frequency: 40 MHz
Insertion Loss @ 40 MHz: <2 dB
Passband: 39-41 MHz
Return Loss @ 39.25-40.75 MHz: >14 dB
Rejection: >50dB @ 0-34 MHz
Rejection 2: >50dB @ 46-200 MHz
Power Handling: 5W

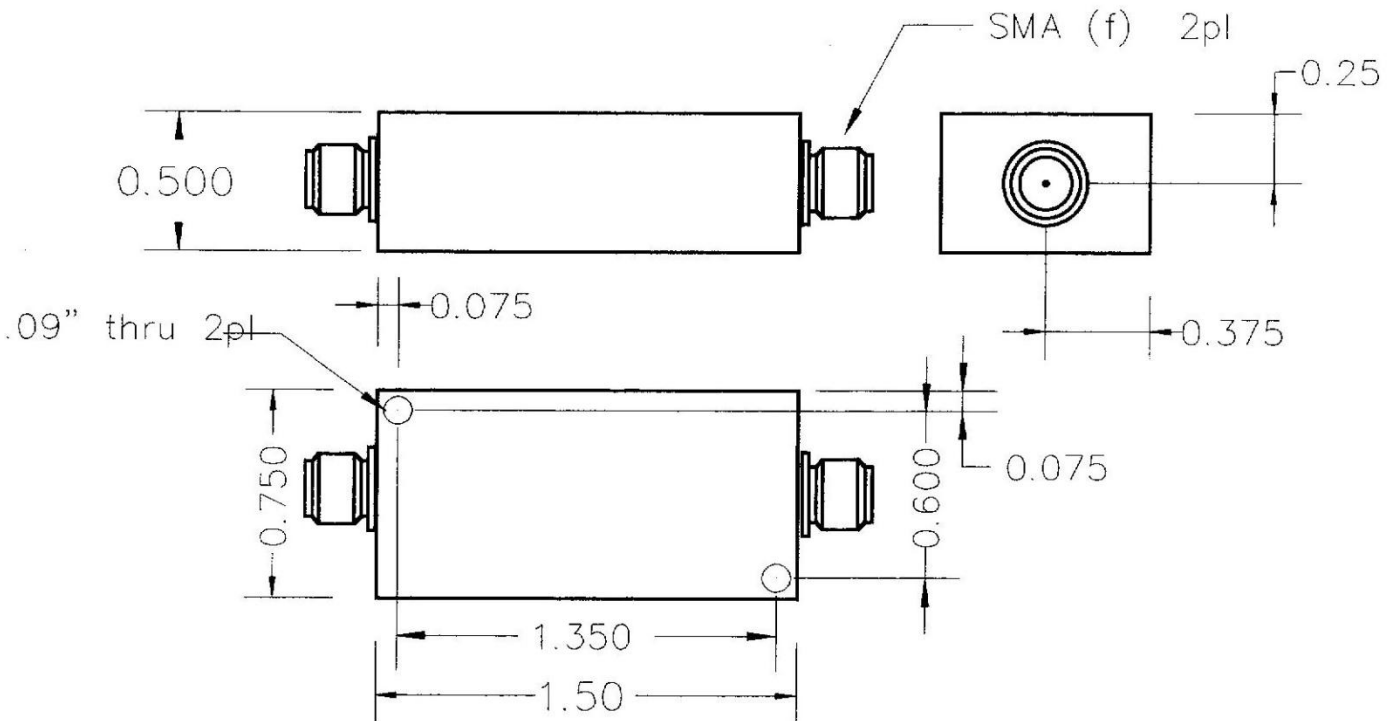
Mechanical

Connector Type: SMA (F)
Dimensions: 1.50 x 0.75 x 0.5 inches

Environmental

Operating Temperature: -45 to +85 deg.C
Storage temperature: -65 to +95 deg.C
Shock: 20 G's, ½ sine, 11ms
Vibration: 10 G's, 10-2000Hz
Relative Humidity: 0-95%

Outline Drawing:





Outline Drawing:

