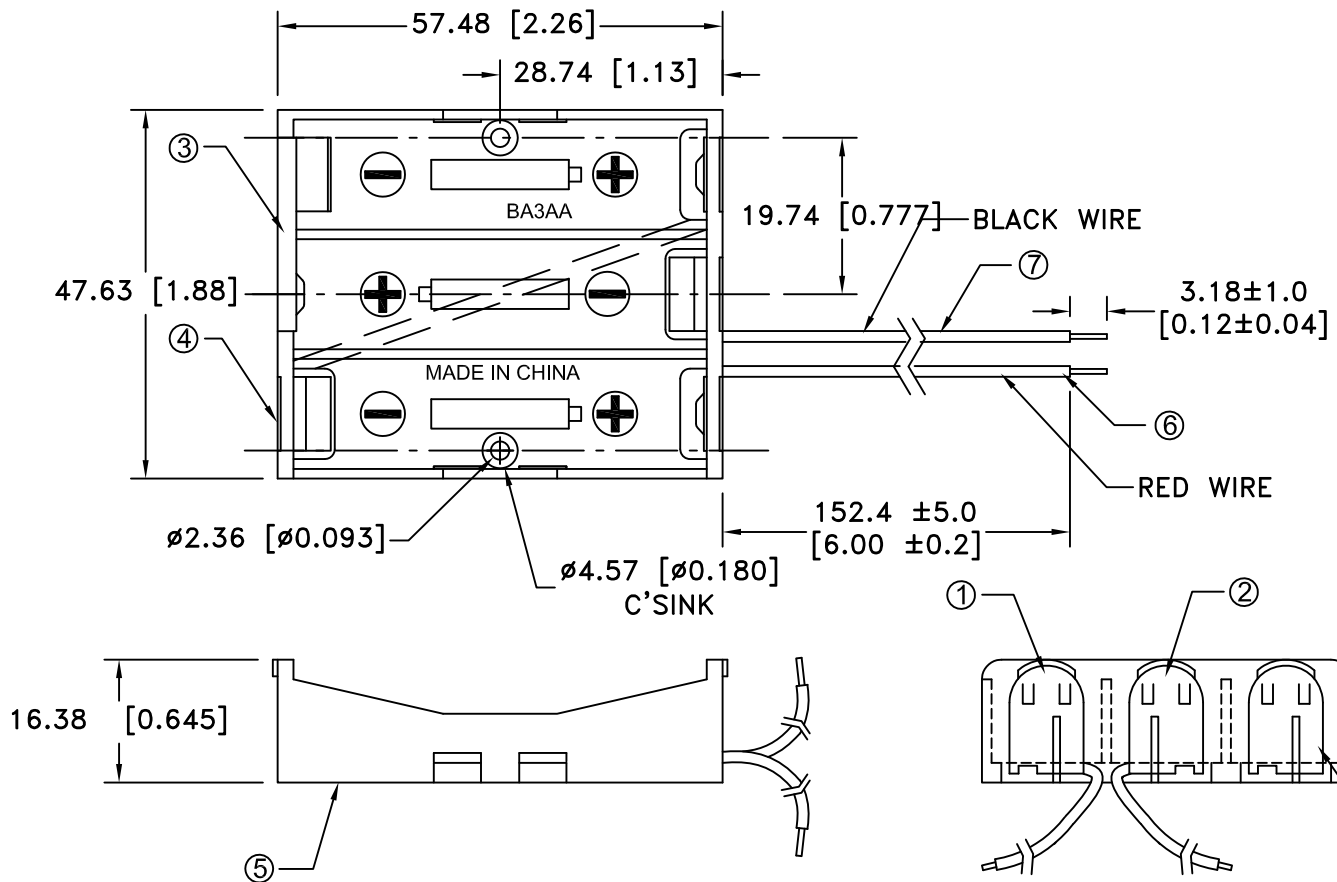


Date	SYM	REVISION RECORD	AUTH	DR.	CK.
10/09/09	B	Added specification.	T.B.	B.S.	
02/17/12	C	Added Dim. 28.74	T.B.	B.S.	
12/14/12	D	Updated wire specification	T.B.	B.S.	
05/02/14	E	Updated to ROHS 2 Compliant	T.B.	B.S.	
07/01/16	F	Changed contact material to 301 Stainless Steel	T.B.	B.S.	



MOUNTING INSTRUCTION:
 USE 2-56 MACHINE SCREWS OR EYELETS 0.089" OD BY 0.15" FLANGE STIMPSON GS-3 SERIES OR EQUIVALENT. ALSO ADHESIVES AND DOUBLE SIDED TAPES WORK WELL.

SPECIFICATION:

- HOUSING : BLACK POLYPROPYLENE
 FLAMMABILITY RATING -UL94-HB, UL FILE NO. E216959
 TEMPERATURE RANGE: -10°C to +100°C
 CONTACTS: NICKLE PLATED STAINLESS STEEL
 WIRES: 24AWG, UL1007, CSA VW-1, 300V, 80°C
 CONTACT RESISTANCE: UNDER 50mΩ FOR +/- CONTACTS PER EIA-540J000
 ROHS 2 COMPLIANT

ITEM NO.	PART NO.	MATL. SPECIFICATION	QTY.	Tolerance (Except as noted)	MPD Memory Protection Devices, Inc 200 Broad Hollow Road, Farmingdale, New York 11735		
1	ABG-194	POSITIVE CONTACT, 301 STAINLESS STEEL, NICKEL PLTD.	2	decimal	Scale	Drawn By B.S.	Approved By T.B.
2	ABG-195	NEGATIVE CONTACT, 301 STAINLESS STEEL, NICKEL PLTD.	1				
3	ABG-196-1	RIGHT NEG./POS. CONTACT, 301 STAINLESS STEEL, NICKEL PLTD.	1	±.5 (.020)	Title	THREE "AA" CELL SPRINGLESS HOLDER	
4	ABG-201	ASSY. NEG./POS. CONTACT, 301 STAINLESS STEEL, NICKEL PLTD.	1				
5	ABG-198	BLACK POLYPROPYLENE HOLDER, UL94-HB	1	Fractional	Date	Drawing Number	BA3AAW
6		RED WIRE, 24AWG, UL1007, CSA VW-1, 80°C	1				
7		BLACK WIRE, 24AWG, UL1007, CSA VW-1, 80°C	1	Angular	07/01/16		