



520 Park East Blvd., New Albany, IN 47150 U.S.A  
(812)-944-6733 / 1-800-SAMTEC9

## Product Change Notification

1. ECN #: 274133

2. Date of Announcement: May 13, 2016

### 3. Series:

- CAT-HT - Application Tooling

### 4. Part #'s Affected

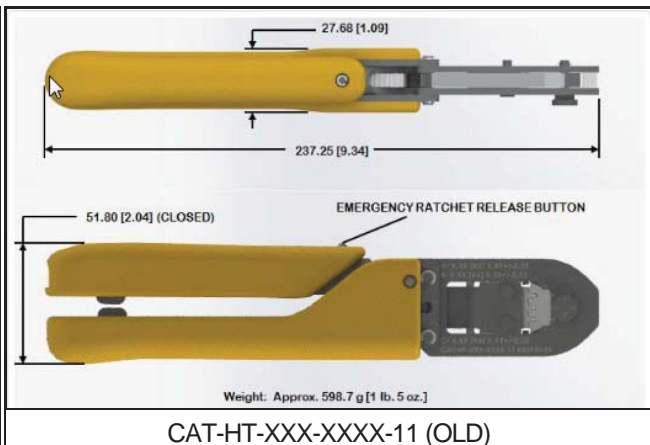
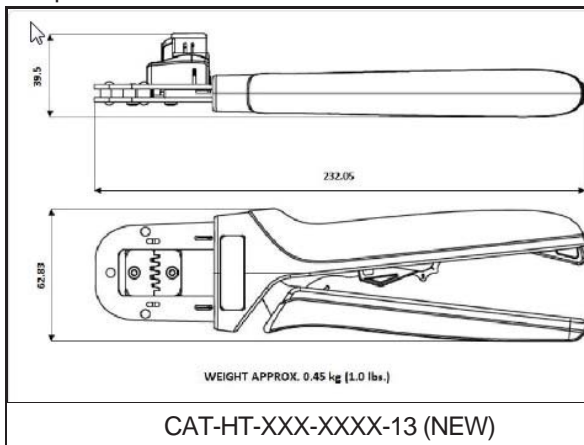
- CAT-HT-182-2430-11
- CAT-HT-281-2430-13

### 5. Description of Change:

CAT-HT-182-2430-11 is being replaced by CAT-HT-281-2430-13. CAT-HT-281-2430-13 now crimps CC81/C-281 and T-1M82 pins.

### 6. Method of Identifying Change

The part number will be etched on the tool. Additional differences are illustrated below.



### 7. Reason for Change:

CAT-HT-281-2430-13 has improved quality, versatility and ease of use.

### 8. Impact of Change on Form, Fit, or Function:

- Form - CAT-HT-281-2430-13 are slightly smaller and lighter.
- Function - CAT-HT-281-2430-13 have a built-in locator to aid in placing the contact prior to crimping. They do not have an insulation adjustment.

9. Projected Implementation Date: June 15, 2016