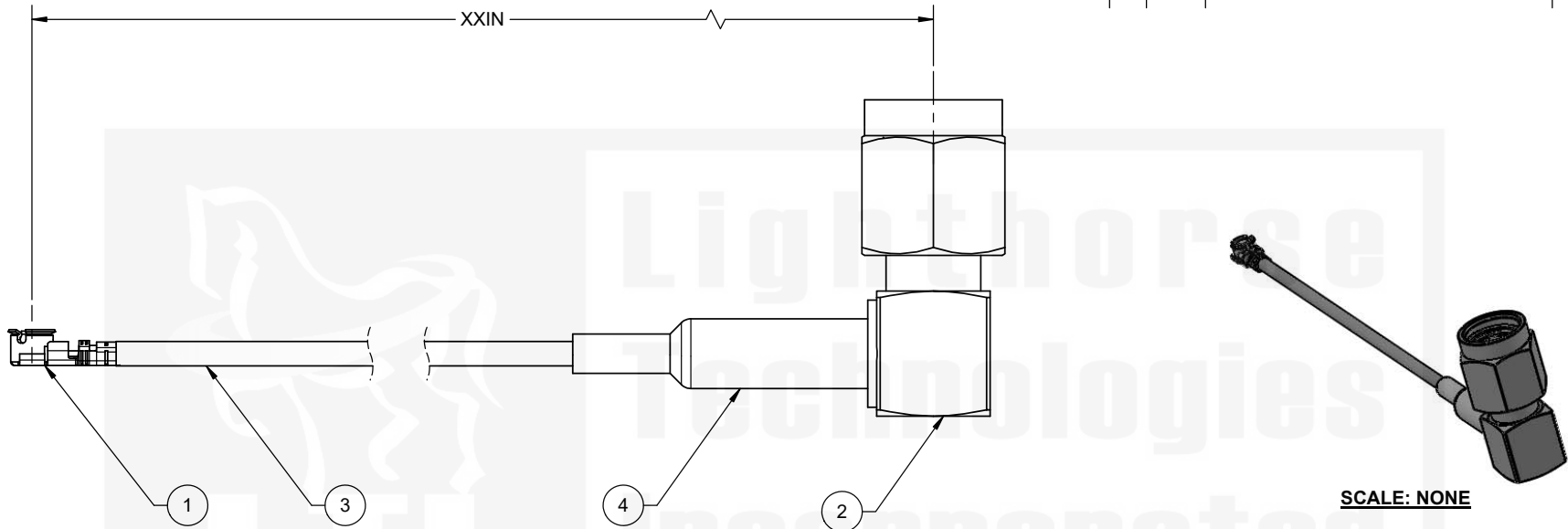


-XX IN THE ENDING OF THE CABLE PART NUMBER IS CALLING OUT THE LENGTH OF THE ASSEMBLY FROM CENTER TO MATING FLANGE OF CONNECTORS. EXAMPLES SHOWN BELOW:

LTI P/N: CB1.37-IPX-SALMGT-4IN (4 INCHES)
 CB1.37-IPX-SALMGT-10IN (10 INCHES)



SCALE: NONE

ITEM	PART NUMBER	DESCRIPTION	QTY
1	IPXLF11GPB-137	IPX (MHF1), RHT ANGLE, JACK, CABLE CRIMP (I-PEX 20351-112R-37)	1
2	SALM11GT-178	SMA, RIGHT ANGLE, PLUG, CABLE CRIMP	1
3	1.37 MICRO COAX	CABLE, 1.37 MICRO COAX, BLUE	AR
4	1635F-1/8"	.125 (1/8) DIA, .75 LENGTH, GREEN	1

REVISIONS				
REV	ECR	DESCRIPTION	DRAWN	DATE
1		PRODUCTION RELEASE	M. LARSEN	08/01/2022

IPX® AND MHF® ARE REGISTERED TRADEMARKS OF I-PEX CO., LTD. CORPORATION

DO NOT SCALE DRAWING			Lighthouse Technologies	
TOLERANCES UNLESS OTHERWISE SPECIFIED			San Diego, CA WWW.RFCONNECTOR.COM	
DIMENSIONS ARE IN MILLIMETERS			TITLE: CABLE ASSEMBLY,	
X = ±0.5			IPX (MHF1), R/A JACK, CRIMP TO R/A SMA, PLUG,	
XX = ±0.25			CRIMP USING 1.37 MICRO COAX	
XXX = ±0.13		CUSTOMER APPROVAL		
ANGLE = ±30°		SIGN / DATE:		
ENG APPR.	P. BURDGE	08/01/2022	SIZE	PART/DWG. NO:
CHECKED	M. HELD	08/01/2022	B	CB1.37-IPX-SALMGT-xxIN
DRAWN	M. LARSEN	08/01/2022	SCALE: 4:1	FILE NAME
NAME		DATE		SHEET 1 OF 1
		REV		A

PROPRIETARY AND CONFIDENTIAL

UNLESS OTHERWISE SPECIFIED, THIS DOCUMENT CONTAINS LIGHTHORSE TECHNOLOGIES INFORMATION. REPRODUCTION, USE, DISCLOSURE OR TRANSMITTAL OF ALL OR ANY PART OF THIS DOCUMENT IS PROHIBITED EXCEPT TO THE EXTENT APPROVED IN WRITING BY AN AUTHORIZED REPRESENTATIVE OF LIGHTHORSE TECHNOLOGIES. LIGHTHORSE TECHNOLOGIES RESERVES ALL RIGHTS UNDER PATENTS, TRADEMARKS, COPYRIGHTS AND TRADE SECRETS. COPY RIGHTS OF LIGHTHORSE TECHNOLOGIES 2011, ALL RIGHTS RESERVED.

