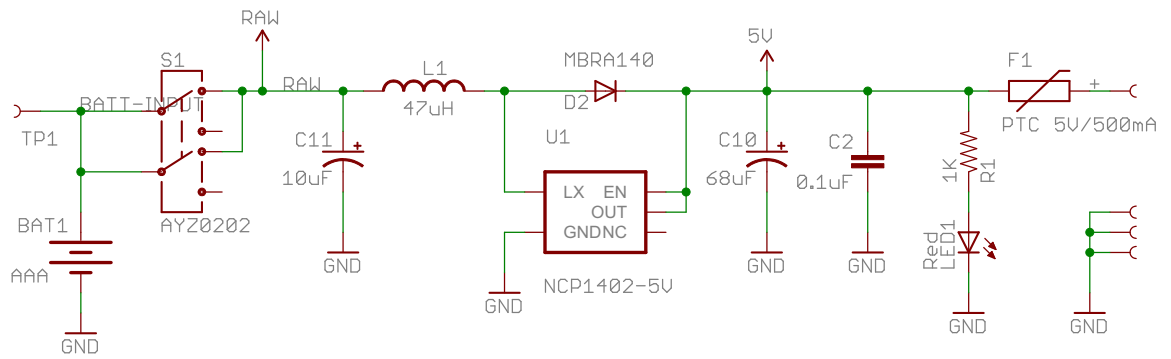


- v18 Fixes:
- * U1 changed from NCP1400 to NCP1402
 - * C10 changed from 47uF to 68uF
 - * L1 changed from 22uH to 47uH
 - * No changes to PCB design



LilyPad - PowerSupply

TITLE: LilyPad_PowerSupply-v18

LillyPad

Document Number:

REV:
1

Date: 4/20/2012 12:14:24 AM

Sheet: 1/1