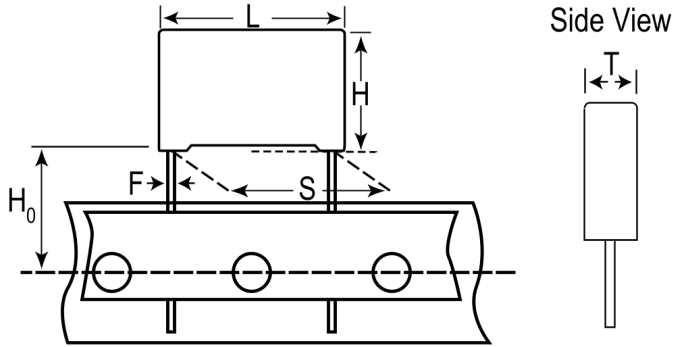


## R46KI3470DQNOM

Aliases (46KI3470DQNOM)

R46 275 VAC, Film, Metallized Polypropylene, Safety, 0.47 uF, 20%, 275 VAC (X2), 560 VDC, 110°C, Lead Spacing = 15mm



Click [here](#) for the 3D model.

### Dimensions

L	18mm +/-0.5mm
H	16mm +0.1/-0.5mm
T	10mm +0.2/-0.5mm
S	15mm +0.6/-0.1mm
H0	18.5mm +/-0.5mm
F	0.8mm +/-0.05mm

### Packaging Specifications

Packaging	Ammo, 360x340x59mm, Box
Packaging Quantity	380

### General Information

Series	R46 275 VAC
Dielectric	Metallized Polypropylene
Style	Radial
Features	EMI Safety
RoHS	Yes
Lead	Wire Leads
Safety Class	X2
Qualifications	ENEC, UL, cUL, CQC
AEC-Q200	No
THB Performance	No
Component Weight	4.483 g
Notes	We Recommended To Use R46 @ 310 VAC.

### Specifications

Capacitance	0.47 uF
Capacitance Tolerance	20%
Voltage AC	275 VAC (X2)
Voltage DC	560 VDC
Temperature Range	-40/+110°C
Rated Temperature	110°C
Dissipation Factor	0.1% 1kHz
Insulation Resistance	63.8298 GOhms
Max dV/dt	400 V/us