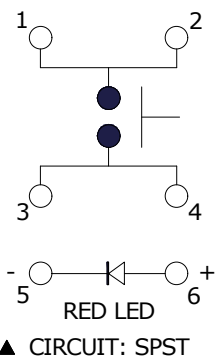
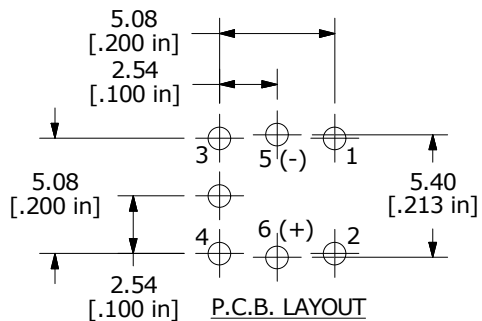
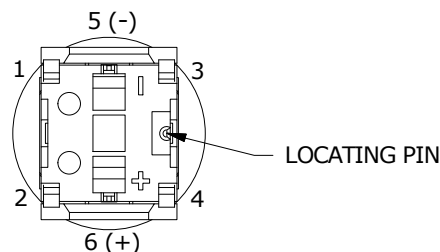
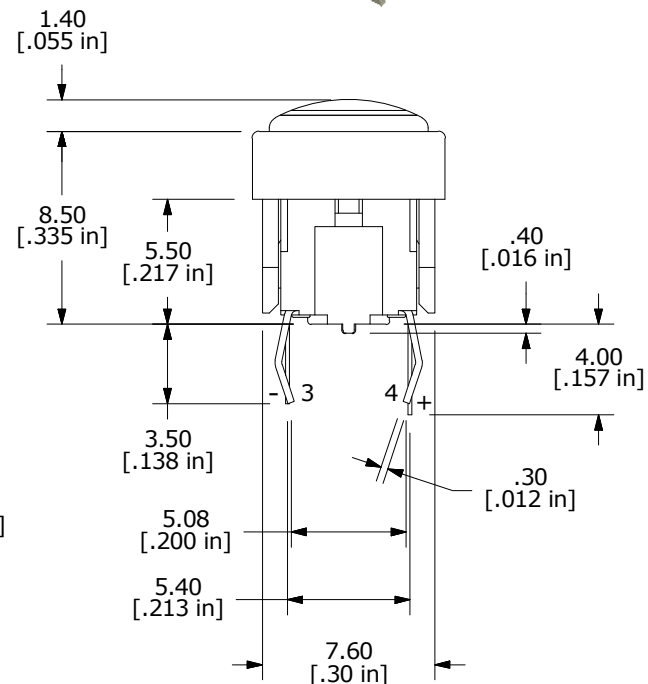
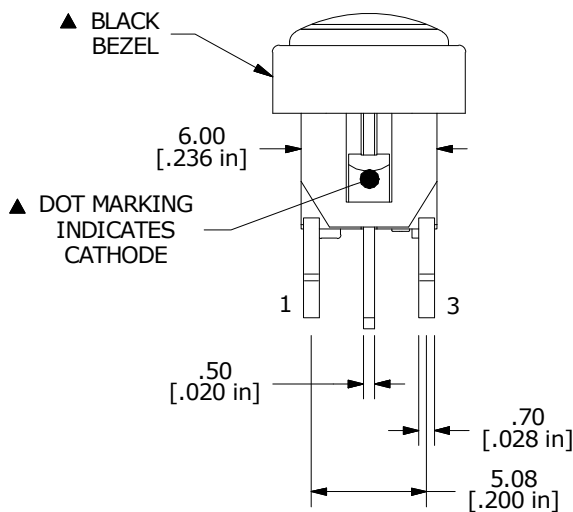
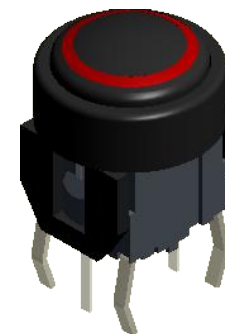
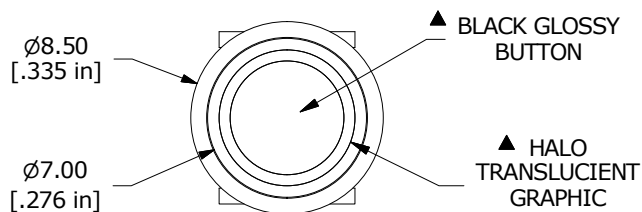


▲ LED SPECS	UNITS	RED
FORWARD CURRENT	mA	20
FORWARD VOLTAGE @ 20mA	V	1.95 typ.-2.5 max.
LUMINOUS INTENSITY @ 20mA	mcd	200 typ.



NOTES:

1. ALL DIMENSIONS IN MM [INCH]
2. GENERAL TOLERANCE: X.X = ±0.4
X.XX = ±0.25
3. RATING: 12VDC @ 50mA
4. CONTACT RESISTANCE: 100mΩ MAX.
5. INSULATION RESISTANCE: 100MΩ MIN.
- ▲ 6. OPERATING FORCE: 180± 50gf
7. TRAVEL: 0.2± 0.1mm
8. OPERATING TEMPERATURE: -40°C to 85°C
9. OPERATING LIFE: 500,000 CYCLES
- ▲ 10. LED: RED
11. ▲ DENOTES CRITICAL PARAMETERS
12. 2011/65/EU (ROHS) COMPLIANT
13. PARTS TO BE PACKAGE 100 PARTS PER TRAY.



REV	PCR NO	DESCRIPTION	DATE	BY
C	22934	add Glossy Button as 2nd description	7/20/17	MW
B	22268	UPDATE DRAWING	4/14/16	MW
A	18423	New Release	2/25/09	rc



TITLE TL1220R1BBBR-HALO (Glossy Button)				
SCALE	DATE	DR	DWG	REV
3:1	1/22/2009	rc	B260000	C

THE INFORMATION CONTAINED IN THIS DOCUMENT IS PROPRIETARY TO E-SWITCH AND IS NOT TO BE COPIED OR TRANSFERRED