

■ Features

- Single output from 30W
- 100-240Vac Universal Input
- Certificates: UL, CE
- Frequency: 50-60Hz
- Ripple: 150mV
- SCP & OCP
- Interchangeable Input Plug kit: US, AU, EU, and UK
- Efficiency Level: VI
- Dimension: 93.5x46.5x41.3mm(exclude plug)



*Product images are for illustrative purposes only and may vary from actual design.

■ Application

- Consumer electronics, Telecom and office equipment
- Industrial equipment

■ Model List

Custom Designs Available!

Model	Output Voltage	Output Current	Power	Certifications
WM030Q-050I-TP1-XX	5V	6A	30W	UL, CE
WM030Q-060I-TP1-XX	6V	5A	30W	UL, CE
WM030Q-070I-TP1-XX	7V	4.29A	30W	UL, CE
WM030Q-090I-TP1-XX	9V	3.33A	30W	UL, CE
WM030Q-120I-TP1-XX	12V	2.5A	30W	UL, CE
WM030Q-150I-TP1-XX	15V	2A	30W	UL, CE
WM030Q-180I-TP1-XX	18V	1.66A	30W	UL, CE
WM030Q-240I-TP1-XX	24V	1.25A	30W	UL, CE

■ Technical Data

Input Voltage	100-240Vac
Input Frequency	50/60Hz
Input Current	1A max
Inrush Current	25°C cold start at 240Vac
Leakage Current	0.25mA Max. at 240Vac input
Line Regulation	±2%
Load Regulation	±5%
Ripple and Noise	150mVp-p
Turn on delay time	3s
Rise time	40mS
Hold up time	5mS

Technical Sales / Customer Service: +1-818-338-7788 • Email: sales@autec.com
 31328 Via Colinas Suite 102 • Westlake Village, CA 91362 USA • www.autec.com

April 19, 2019

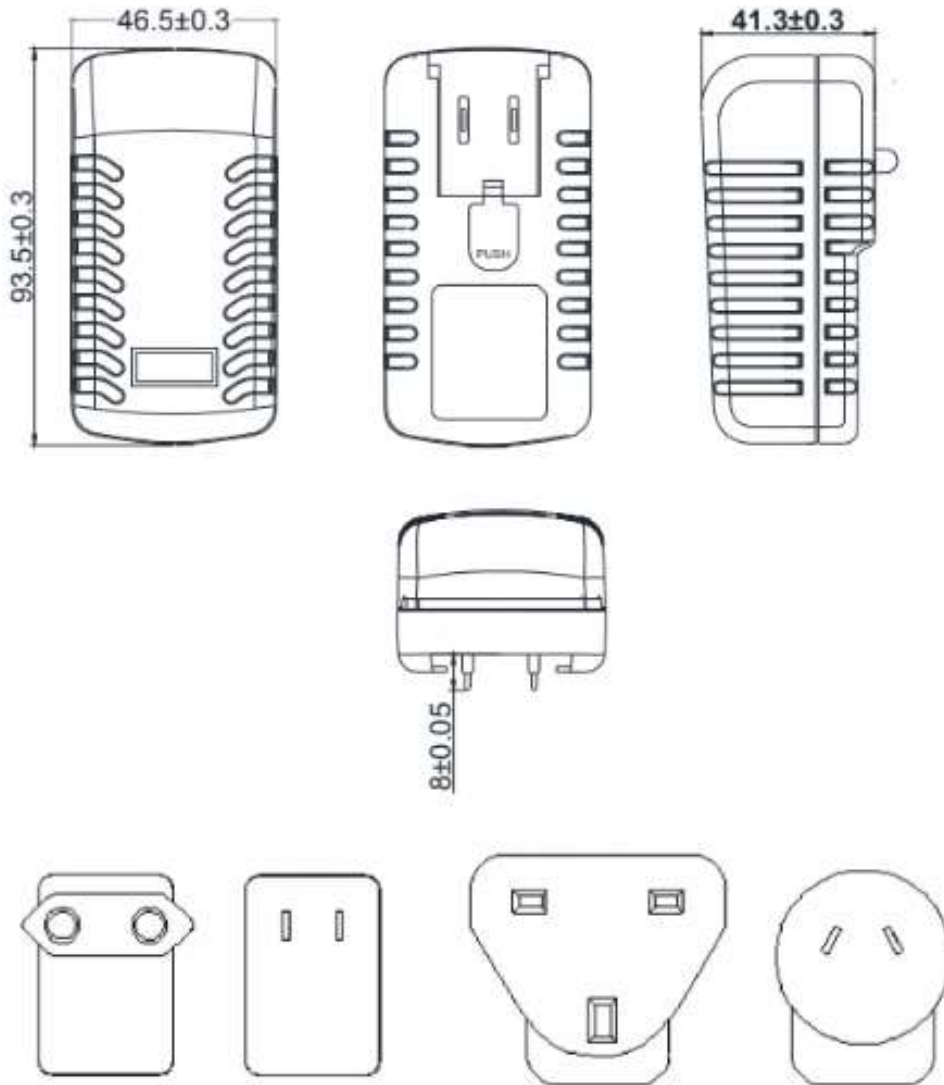
■ **Technical Data(cont.)**

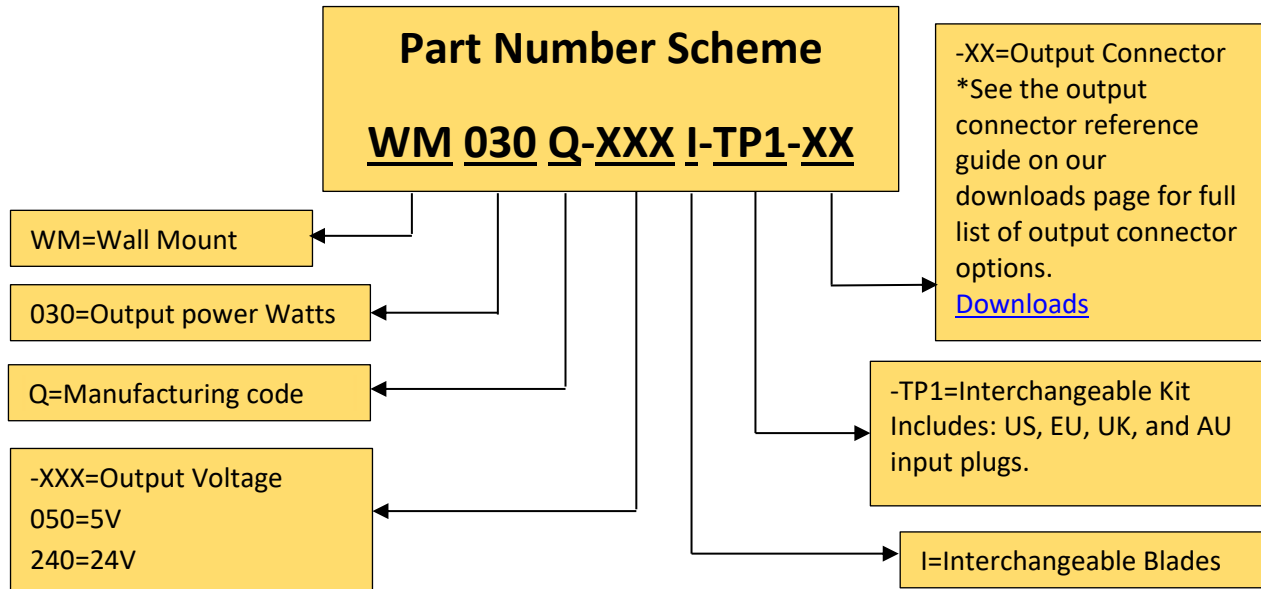
Efficiency	86%; Level VI
Overshoot	15% Max, when power supply is turned of/on
Standby Power	0.1W Max at 115Vac
Short Circuit Protection	Auto recovery when short circuit fault is removed
Over Current Protection	Auto recovery when over current fault is removed
Operating Temperature	0°C to 40°C, Full load
Storage Temperature	-20°C to 60°C
Relative Humidity	5%(0°C) ~90%(40°C)RH, 72hrs, full load
Vibration	IEC 721-3-3 3M3
Dimensions LxWxH	93.5x46.5x41.3mm 3.68x1.83x1.63in
Packing	96Pcs/ Carton; Carton size 490x340x310mm

■ **Safety and EMI Standard**

Safety	EN60950, UL60950, BS60950, AS/NZS60950
Dielectric Strength Hi-Pot Primary to secondary	4242Vdc/5mA/60S
Insulation resistance Primary to secondary	20MΩ min at 500Vdc
EMI Standard	FCC part15 class B rules, EN55032 class B Rules, GB17625.1-2012; AS/NZS CISPR32:2015, IEC61000-4-5, IEC61000-4-2.

■ Mechanical Diagram





*Product images are for illustrative purposes only and may vary from actual design.

*Specifications are subject to change without notice. Autec is not responsible for issues arising from errors or omissions.