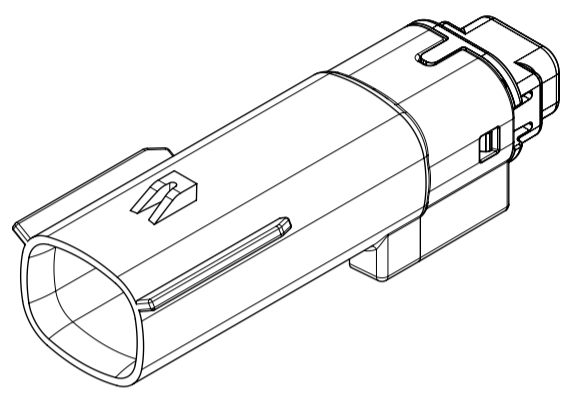


SHEET NO.	SHEET DESCRIPTION
1	NOTES AND BOM
2	CONFIGURATIONS
3-4	KEY CONFIGURATIONS
5	BLADE SEALED ASSEMBLY
6	SYSTEM PACKAGING
7	BACKSHELL NOTES
8	BACKSHELL
9	BACKSHELL CONFIGURATIONS

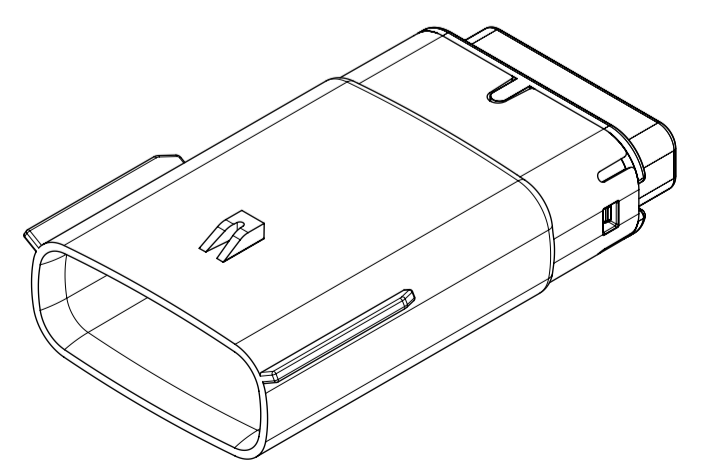
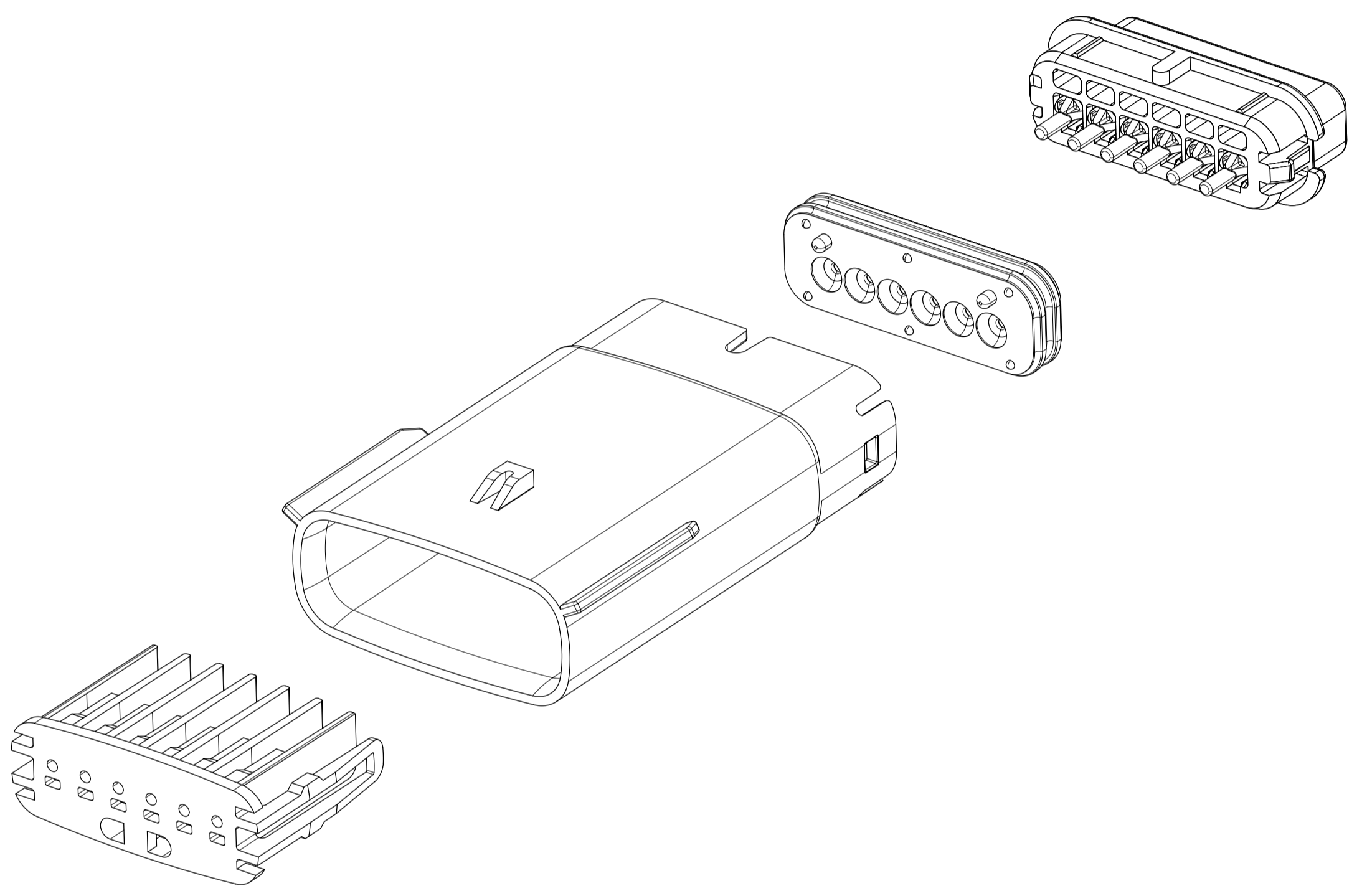
MATING CONNECTOR DRAWINGS	
DESCRIPTION	MOLEX INLINE
1X2	SD-33471-0001
1X6	SD-33471-0001

NOTES: VALID UNLESS OTHERWISE SPECIFIED

1. GENERAL:
- a. APPLICATION SPECIFICATION SEE: AS-33472-100
    - CONTAINS: PRODUCT INTRODUCTION, PRODUCT SUMMARY, CONNECTOR ASSEMBLY, PACKAGING INFORMATION, CONNECTOR MATING, SERVICE INSTRUCTIONS, ELECTRICAL CONTINUITY CHECKING, CRIMPING, AND TROUBLESHOOTING.
    - DESIGNED TO MATE WITH RECEPTACLE SEALED ASSEMBLY AS SPECIFIED IN THE MATING CONNECTOR DRAWINGS CHART.
    - \*DENOTES DRAWINGS THAT CAN BE ACCESSED AT <http://ewcap.uscarteams.org/>
    - ASSEMBLY SHIPPED WITH PLR IN PRE-LOCK POSITION (SEE PLR PRE-LOCK VIEW SHEET 5).
  - b. PRODUCT SPECIFICATION SEE:
    - STANDARD CONFIGURATION: PS-33471-000
    - UL V0 CONFIGURATION: PS-160105-0001
    - CONTAINS: PRODUCT INTRODUCTION, PRODUCT SUMMARY, RATINGS (CURRENT, TEMPERATURE, SEALING, AND FLAMMABILITY), TERMINALS, WIRE DIAMETER RANGE, PRODUCT VALIDATION, AND PRODUCT DEVIATIONS.
  - c. PACKAGING SPECIFICATION PER MOLEX DRAWING: PK-31300-635 (PK-33471-000 FOR 1X5)
  - d. PARTS MUST BE IN COMPLIANCE TO MOLEX CHEMICAL SUBSTANCES FOR PRODUCTS AND PACKAGING SPECIFICATION: QEHS-699000-300
  - e. DATA MUST BE SUBMITTED UNDER THE MOLEX PART NUMBER TO IMDS (COMPANY ID#13255)
2. DESIGN - MATERIALS:
- a. FOR BILL OF MATERIALS SEE:
    - STANDARD CONFIGURATION: SD-33481-0002
    - UL V0 CONFIGURATION: SD-160106-0002
3. DESIGN - GEOMETRY:
- a. THE 3-D CAD DATA IS BASIC (WITHOUT TOLERANCE) AND MASTER FOR THIS PART WITH THE EXCEPTION OF UNDERLINED DIMENSIONS. DIMENSIONAL INFORMATION NOT SHOWN ON THIS DRAWING IS DEFINED BY THE DATA FILE AT ITS LATEST REVISION.
  - b. GEOMETRIC DIMENSIONS AND TOLERANCES PER ASME Y14.5M-2009
  - c. EDGES AND UNDIMENSIONED DETAILS PER ISO13715
  - d. CORNERS SHOWN AS SHARP TO BE R 0.2 MAX.
  - e. LETTERING SHALL BE 0.15 MAX RAISED IN 0.25 MAX RECESS PAD. THIS INCLUDES RECYCLING CODE, CAVITY ID, VENDOR IDENTIFICATION, AND CUSTOMER MATERIAL NUMBER.
  - f. VISUAL DEFECTS SHALL MEET COSMETIC STANDARD PS-45499-002 (Class B).
  - g. LASER MARKING:
    1. PART NUMBER
    2. DAY OF THE YEAR
    3. SHIFT
    4. YEAR
- FOR ADDITIONAL INFORMATION SEE SECTION 5 UNDER PROCEDURES IN ES-34735-008.



1X2

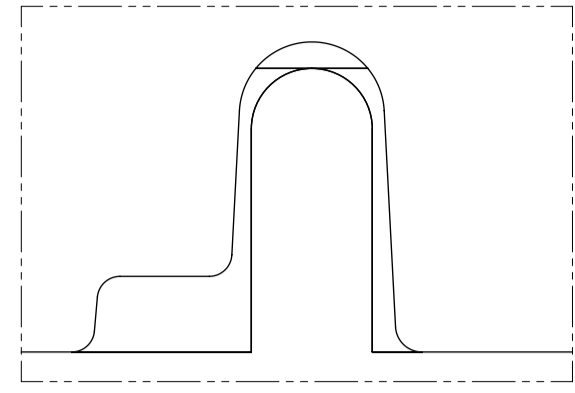


1X6

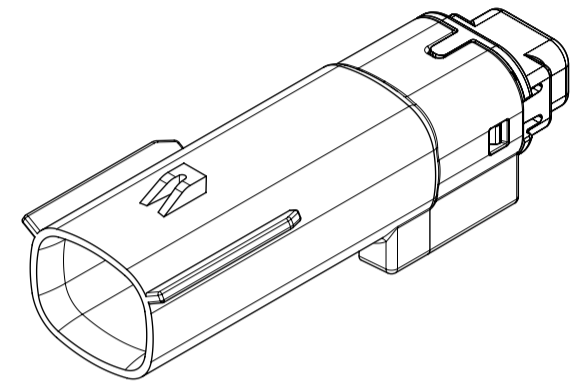
INSPECTION NUMBER LOG	
LAST NUMBER: 9	ADDED:
REMOVED:	REV
A1	NX REMASTERING , CHANGE PS DRAWING NUMBER FROM PS-160105-0001 TO PS-160074-0001 IN NOTES 1.b
A	MINOR GEOMETRY CHANGE FOR UL V0
2	UPDATED VIEWSETS
1	INITIAL RELEASE

<b>SYMBOLS</b> ▽ = 0 DIMENSION UNITS: <u>MM ONLY</u> SCALE: <u>1.5:1</u> ▽ = 0 GENERAL TOLERANCES (UNLESS SPECIFIED) ▽ = 0 ANGULAR TOL ± 1.0° ▽ = 0 4 PLACES ± ▽ = 0 3 PLACES ± ▽ = 0 2 PLACES ± 0.1 ▽ = 0 1 PLACE ± 0.2 ▽ = 0 0 PLACES ± ▽ = 0 DRAFT WHERE APPLICABLE MUST REMAIN WITHIN DIMENSIONS		THIS DRAWING CONTAINS INFORMATION THAT IS PROPRIETARY TO MOLEX ELECTRONIC TECHNOLOGIES, LLC AND SHOULD NOT BE USED WITHOUT WRITTEN PERMISSION <b>CURRENT REV DESC:</b> EC NO: 602373 DRWN: DSHETTY01 2018/05/25 CHK'D: MVANSLAMBROU 2018/10/04 APPR: MVANSLAMBROU 2018/10/04 <b>INITIAL REVISION:</b> DRWN: APROFFITT 2015/07/21 APPR: KDEKOSKI 2016/06/14 THIRD ANGLE PROJECTION	 <b>MX150 BLADE</b> <b>SINGLE ROW SEALED ASSY MAT SEAL</b> <b>PRODUCT CUSTOMER DRAWING</b> DOCUMENT NUMBER: <b>SD-33481-0001</b> DOC TYPE: PSD DOC PART: 001 REVISION: <b>A1</b> MATERIAL NUMBER: SEE NOTE 2a. CUSTOMER: GENERAL MARKET SHEET NUMBER: 1 OF 9
---	--	--	---

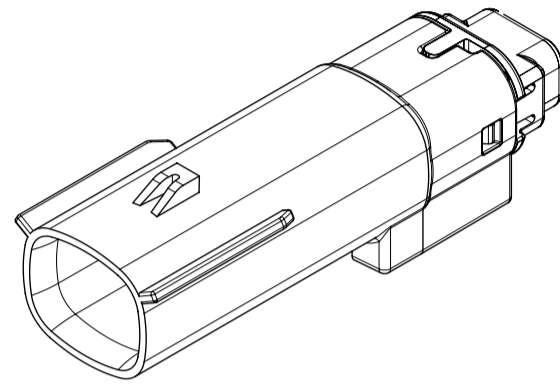
**SHEET DESCRIPTION**  
CONFIGURATIONS



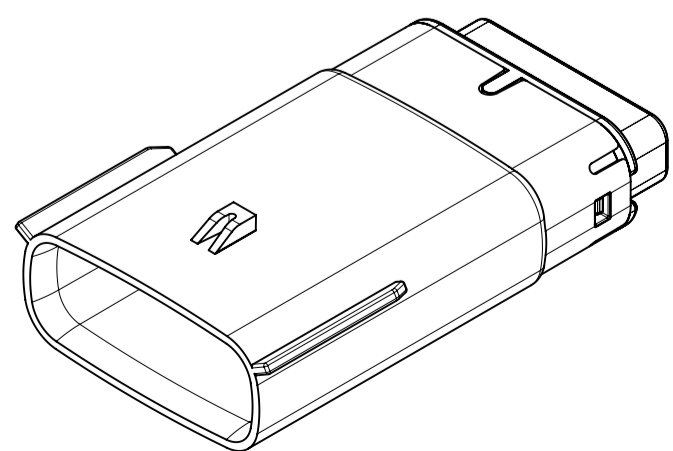
UL V0 UNIQUE FEATURE  
Partial1  
SCALE 10:1



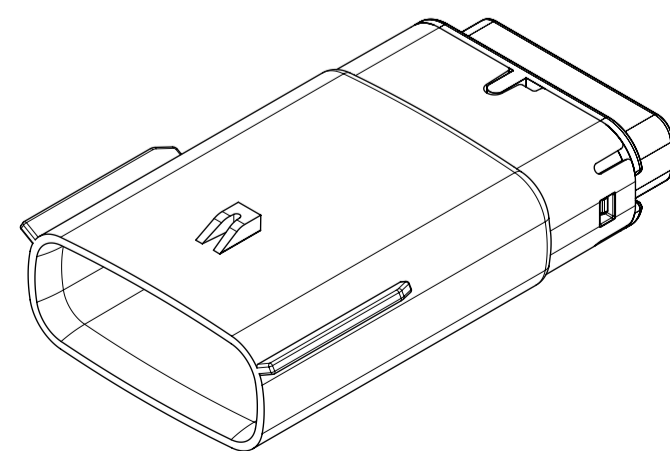
1x2 - STD



1X2 - UL V0\*



1x6 - STD

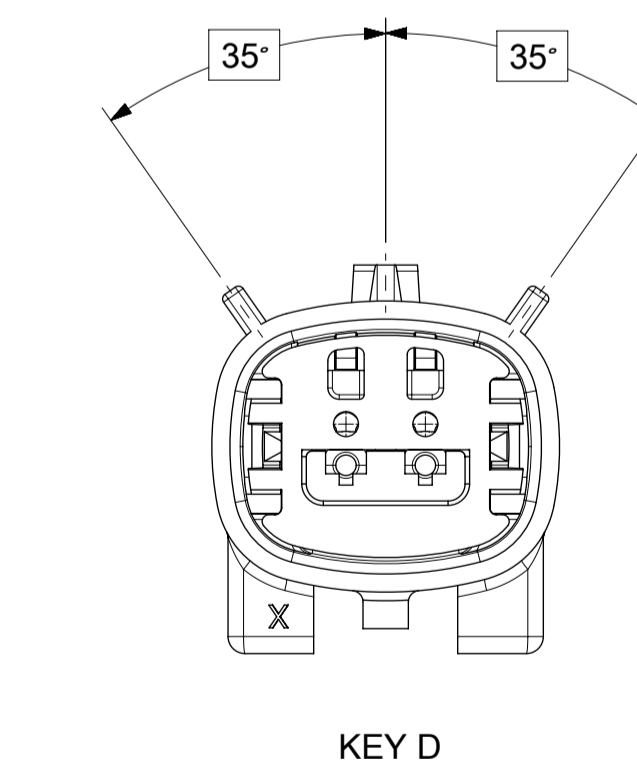
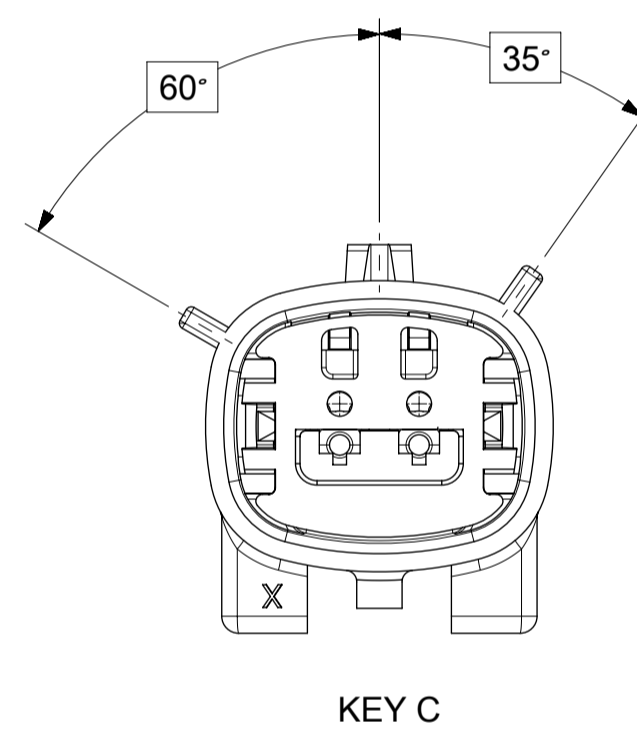
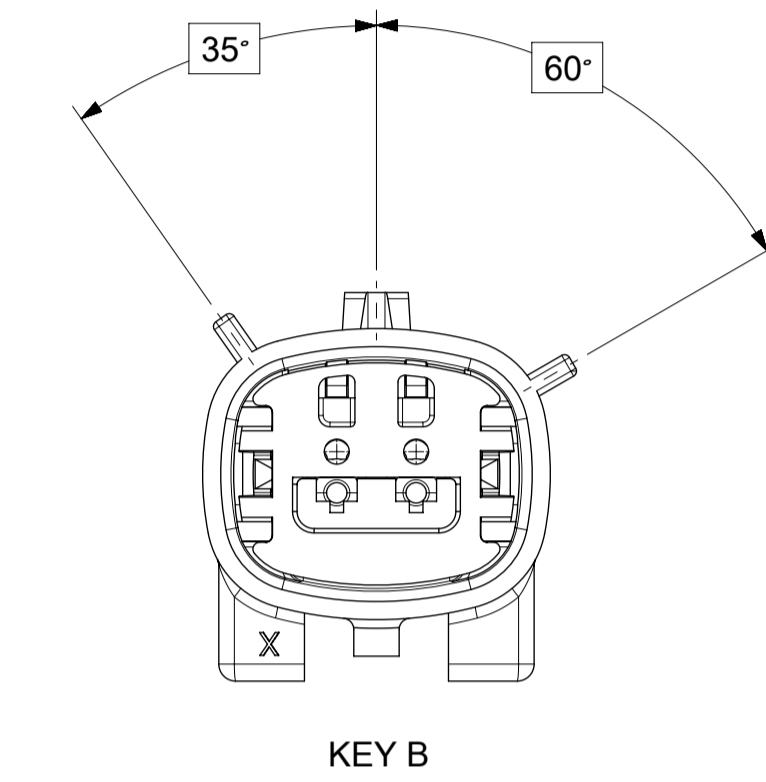
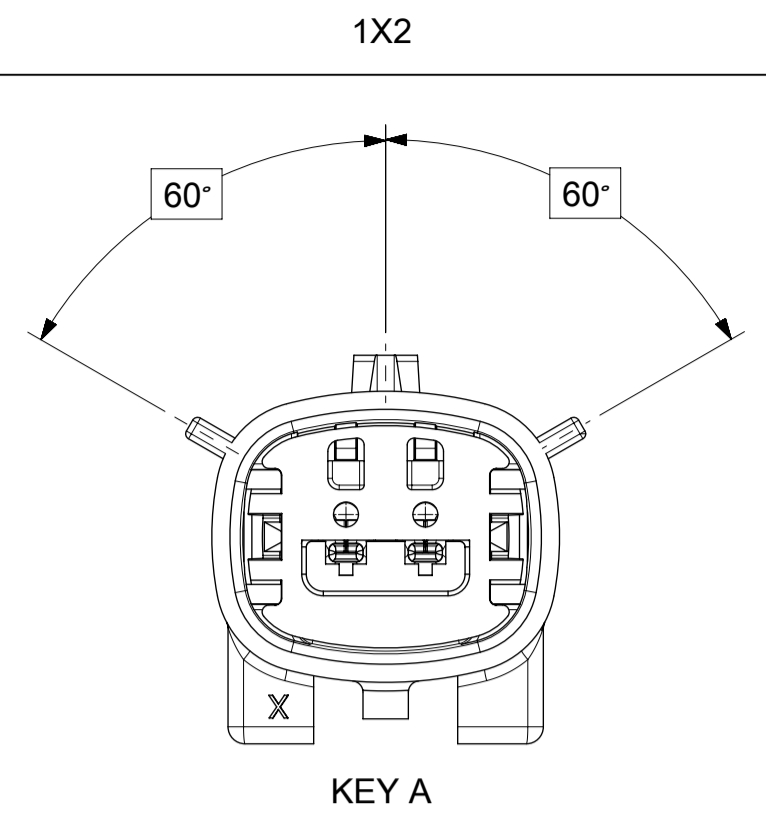


1x6 - UL V0\*

\* MINOR GEOMETRY DIFFERENCE THAN STANDARD CONFIGURATION.  
SEE NOTES 1 & 2 FOR MORE INFORMATION

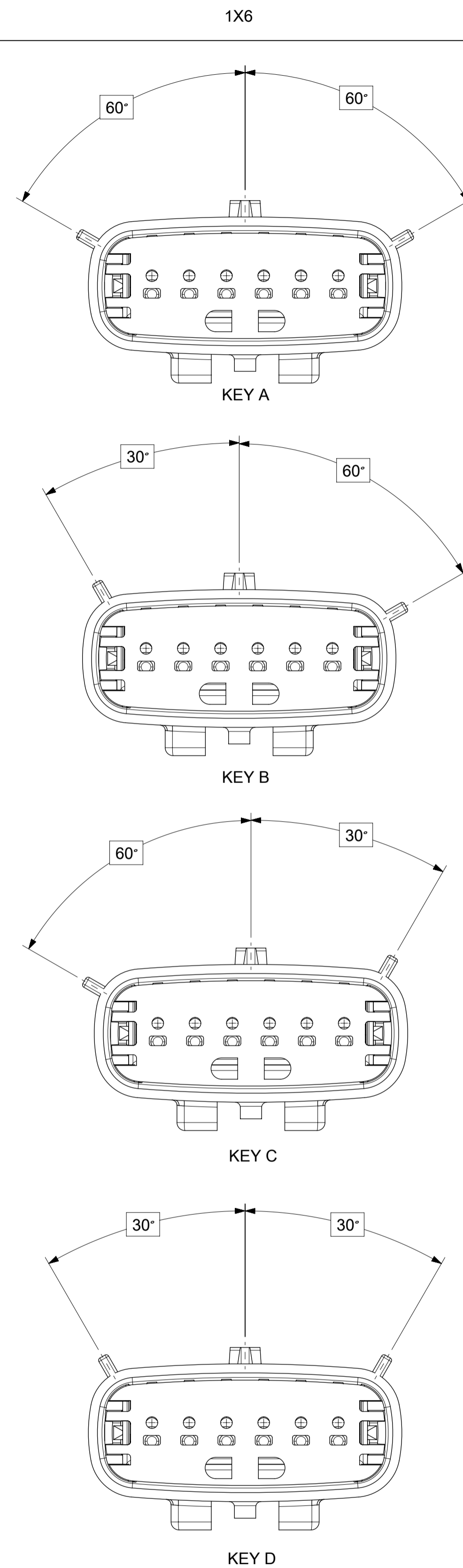
<b>SYMBOLS</b> = 0 = 0 = 0 = 0 = 0 = 0 = 0 = 0 = 0 = 0	THIS DRAWING CONTAINS INFORMATION THAT IS PROPRIETARY TO MOLEX ELECTRONIC TECHNOLOGIES, LLC AND SHOULD NOT BE USED WITHOUT WRITTEN PERMISSION		CURRENT REV DESC:		 MX150 BLADE SINGLE ROW SEALED ASSY MAT SEAL		
	DIMENSION UNITS	SCALE	EC NO: 602373				
	MM ONLY	1.5:1	DRWN: DSHETTY01 2018/05/25		SD-33481-0001	PSD	001
	GENERAL TOLERANCES (UNLESS SPECIFIED)		CHK'D: MVANSLAMBROU 2018/10/04		REVISION		
	ANGULAR TOL ± 1.0°		APPR: MVANSLAMBROU 2018/10/04		A1		
	4 PLACES ±		INITIAL REVISION:		MATERIAL NUMBER		
	3 PLACES ±		DRWN: APROFFITT 2015/07/21		SEE NOTE 2a.		
	2 PLACES ± 0.1		APPR: KDEKOSKI 2016/06/14		CUSTOMER		
	1 PLACE ± 0.2		DRAWING		SHEET NUMBER		
	0 PLACES ±		THIRD ANGLE PROJECTION		GENERAL MARKET		
DRAFT WHERE APPLICABLE MUST REMAIN WITHIN DIMENSIONS		DRAWING		2 OF 9			
		SERIES					
		A1-SIZE					
		33481					

**SHEET DESCRIPTION**  
KEY CONFIGURATIONS



<b>SYMBOLS</b> = 0 = 0 = 0 = 0 = 0 = 0 = 0 = 0 = 0 = 0	THIS DRAWING CONTAINS INFORMATION THAT IS PROPRIETARY TO MOLEX ELECTRONIC TECHNOLOGIES, LLC AND SHOULD NOT BE USED WITHOUT WRITTEN PERMISSION		CURRENT REV DESC:		 MX150 BLADE SINGLE ROW SEALED ASSY MAT SEAL			
	DIMENSION UNITS	SCALE	EC NO: 602373					DOCUMENT NUMBER
	MM ONLY	3:1	DRWN: DSHETTY01 2018/05/25		SD-33481-0001	PSD	001	A1
	GENERAL TOLERANCES (UNLESS SPECIFIED)		CHK'D: MVANSLAMBROU 2018/10/04		PRODUCT CUSTOMER DRAWING			
	ANGULAR TOL ± 1.0°		APPR: MVANSLAMBROU 2018/10/04		INITIAL REVISION:			
	4 PLACES ±		DRWN: APROFFITT 2015/07/21		MATERIAL NUMBER			
	3 PLACES ±		APPR: KDEKOSKI 2016/06/14		CUSTOMER			
	2 PLACES ± 0.1		DRAWING		SHEET NUMBER			
	1 PLACE ± 0.2		SERIES		3 OF 9			
	0 PLACES ±		THIRD ANGLE PROJECTION		SEE NOTE 2a. GENERAL MARKET			
DRAFT WHERE APPLICABLE MUST REMAIN WITHIN DIMENSIONS		DRAWING		3 OF 9				
		A1-SIZE		3 OF 9				
		33481		3 OF 9				

**SHEET DESCRIPTION**  
KEY CONFIGURATIONS CONT.

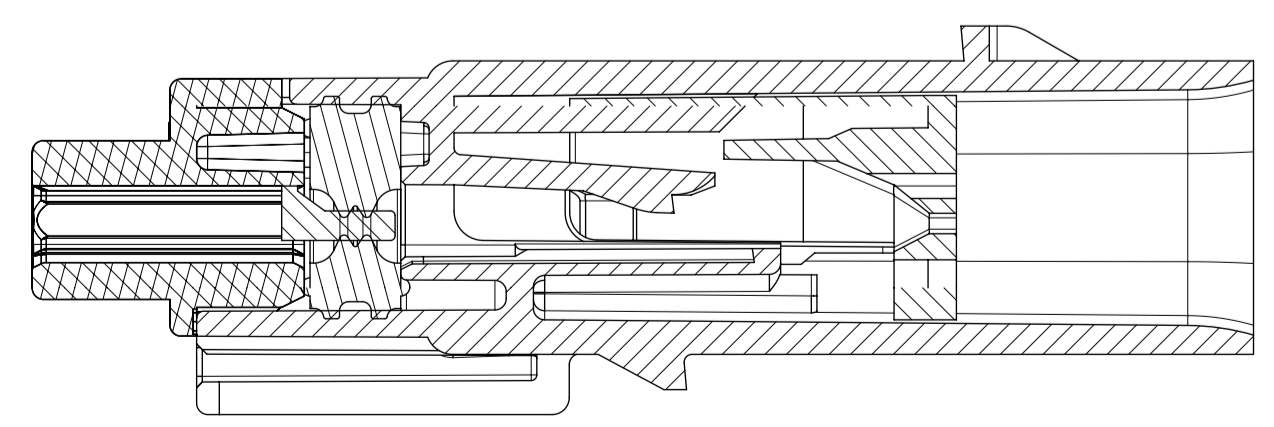
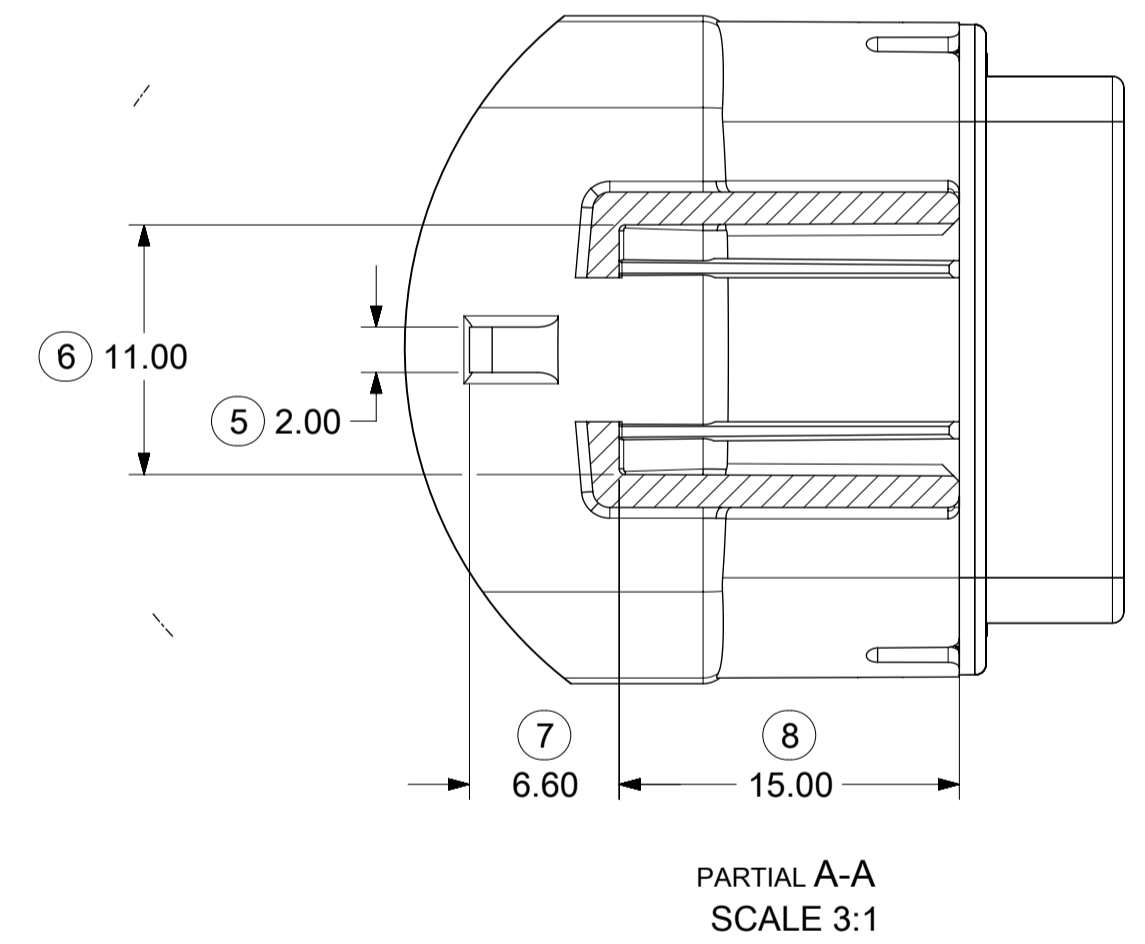
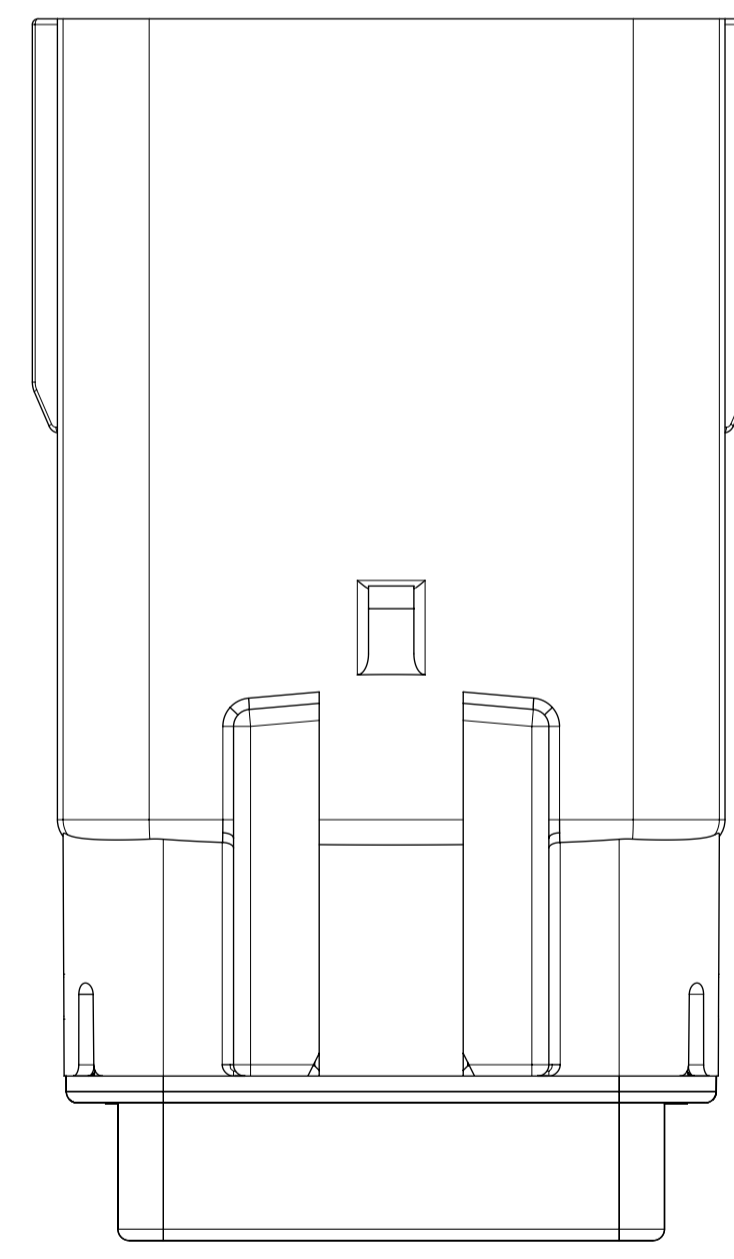
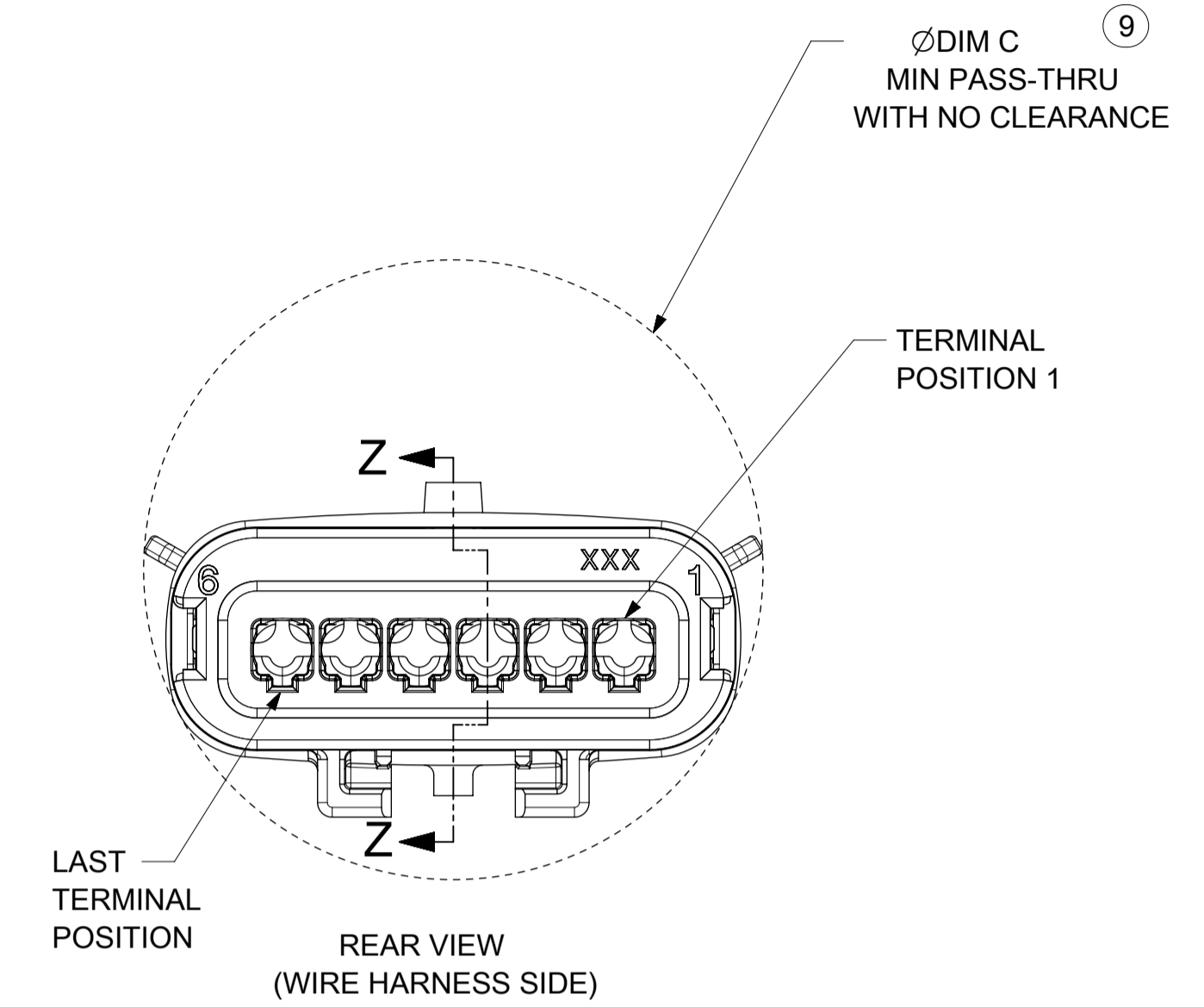
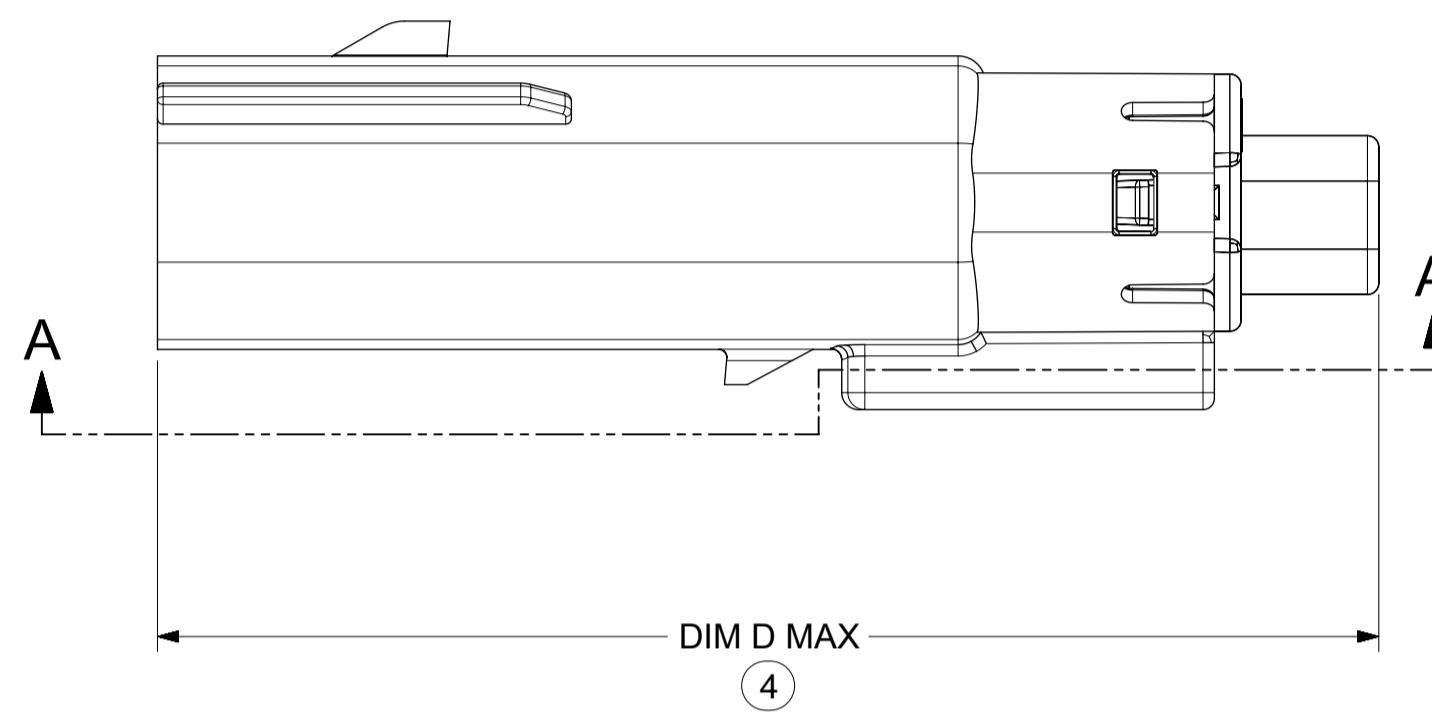
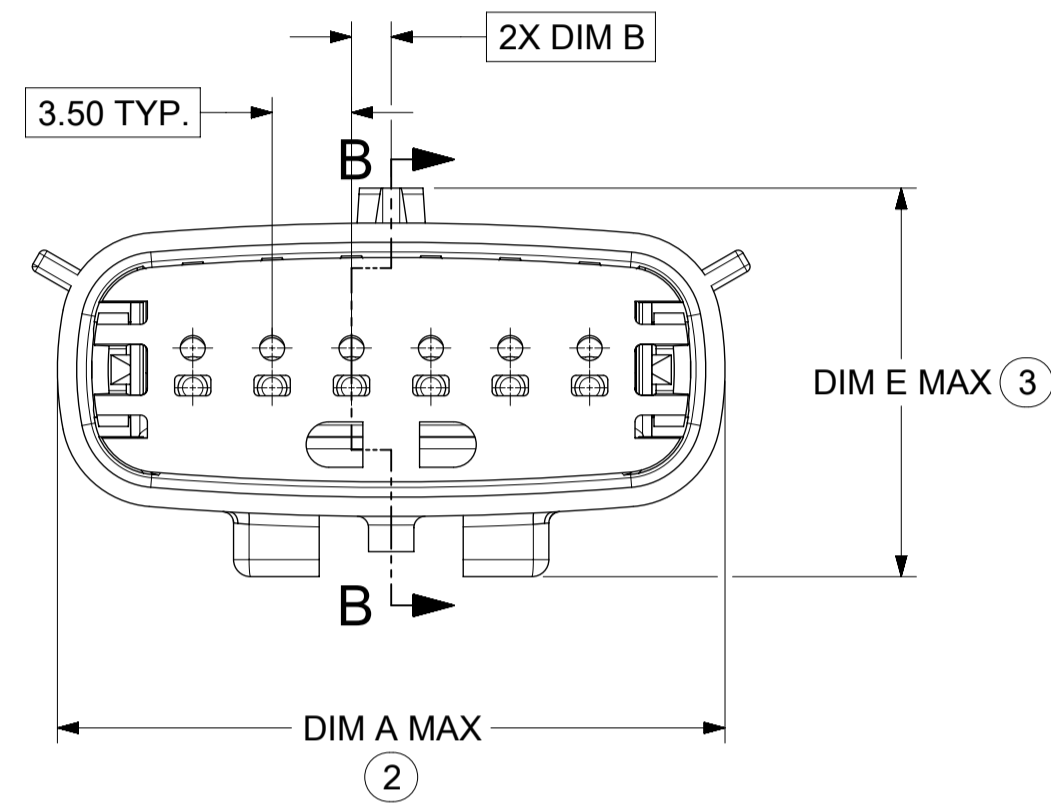
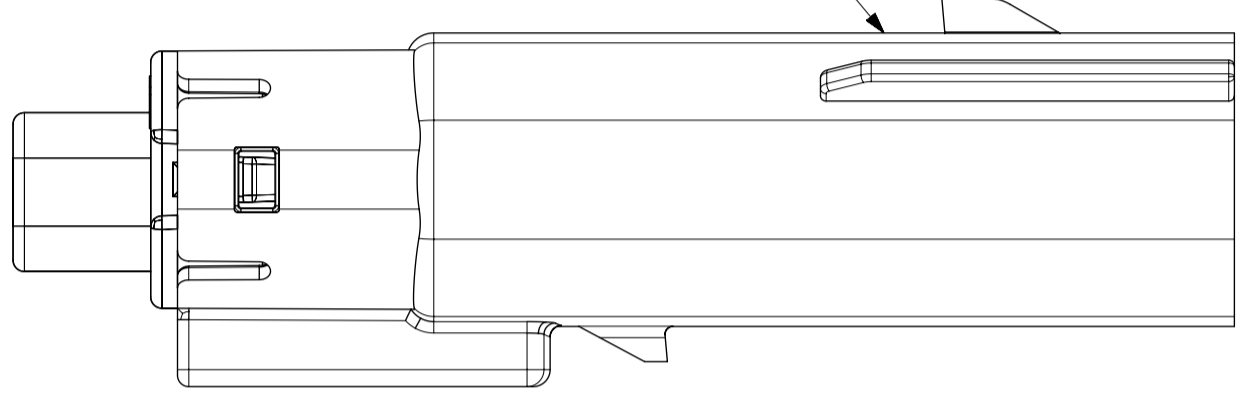


<b>SYMBOLS</b> = 0 = 0 = 0 = 0 = 0 = 0 = 0 = 0 = 0	THIS DRAWING CONTAINS INFORMATION THAT IS PROPRIETARY TO MOLEX ELECTRONIC TECHNOLOGIES, LLC AND SHOULD NOT BE USED WITHOUT WRITTEN PERMISSION DIMENSION UNITS: <b>MM ONLY</b> SCALE: <b>3:1</b>	CURRENT REV DESC:  EC NO: 602373 DRWN: DSHETTY01 2018/05/25 CHK'D: MVANSLAMBROU 2018/10/04 APPR: MVANSLAMBROU 2018/10/04	 MX150 BLADE SINGLE ROW SEALED ASSY MAT SEAL		
	GENERAL TOLERANCES (UNLESS SPECIFIED) ANGULAR TOL ± 1.0° 4 PLACES ± 3 PLACES ± 2 PLACES ± 0.1 1 PLACE ± 0.2 0 PLACES ±	INITIAL REVISION: DRWN: APROFFITT 2015/07/21 APPR: KDEKOSKI 2016/06/14	PRODUCT CUSTOMER DRAWING DOCUMENT NUMBER: <b>SD-33481-0001</b> DOC TYPE: PSD DOC PART: 001 REVISION: <b>A1</b>	MATERIAL NUMBER: SEE NOTE 2a. CUSTOMER: GENERAL MARKET SHEET NUMBER: 4 OF 9	
DRAFT WHERE APPLICABLE MUST REMAIN WITHIN DIMENSIONS 	THIRD ANGLE PROJECTION 	DRAWING: <b>A1-SIZE</b> SERIES: <b>33481</b>			

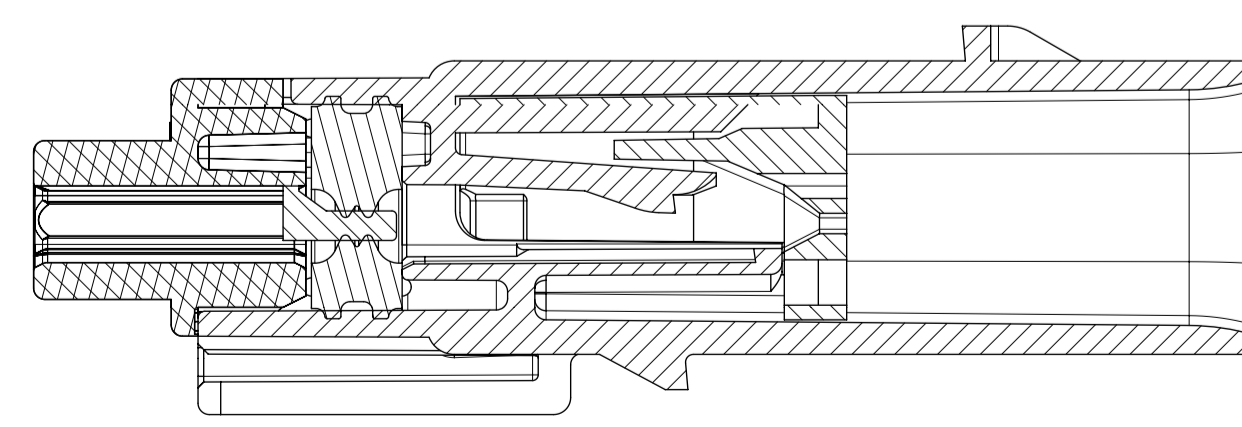
**SHEET DESCRIPTION**  
BLADE SEALED ASSEMBLY

DESCRIPTION	DIMENSIONS				
	A	B	C	D	E
1X2	N/A	1.75	21.00	55.50	17.30
1X6	29.69	1.75	31.71	54.45	17.23

OPTIONAL LASER MARKING ON THIS SURFACE SEE NOTE 3g.



PRIMARY LOCK REINFORCEMENT (PLR) SHOWN IN PRE-STAGED POSITION SECTION B-B

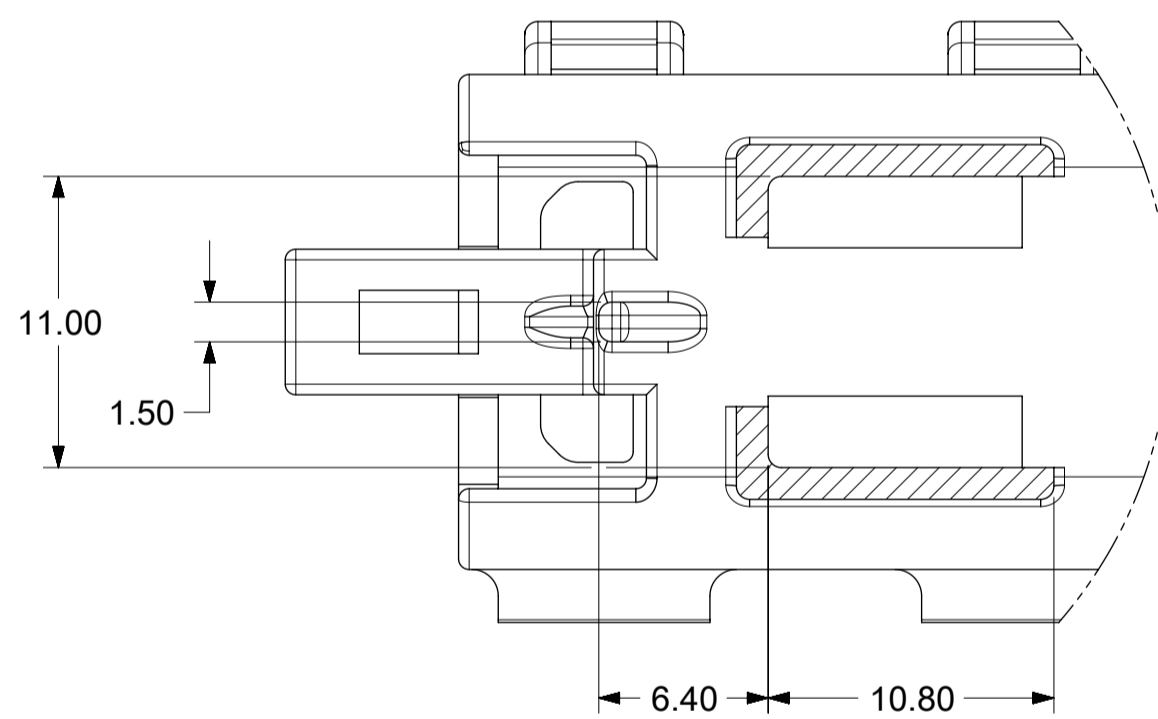
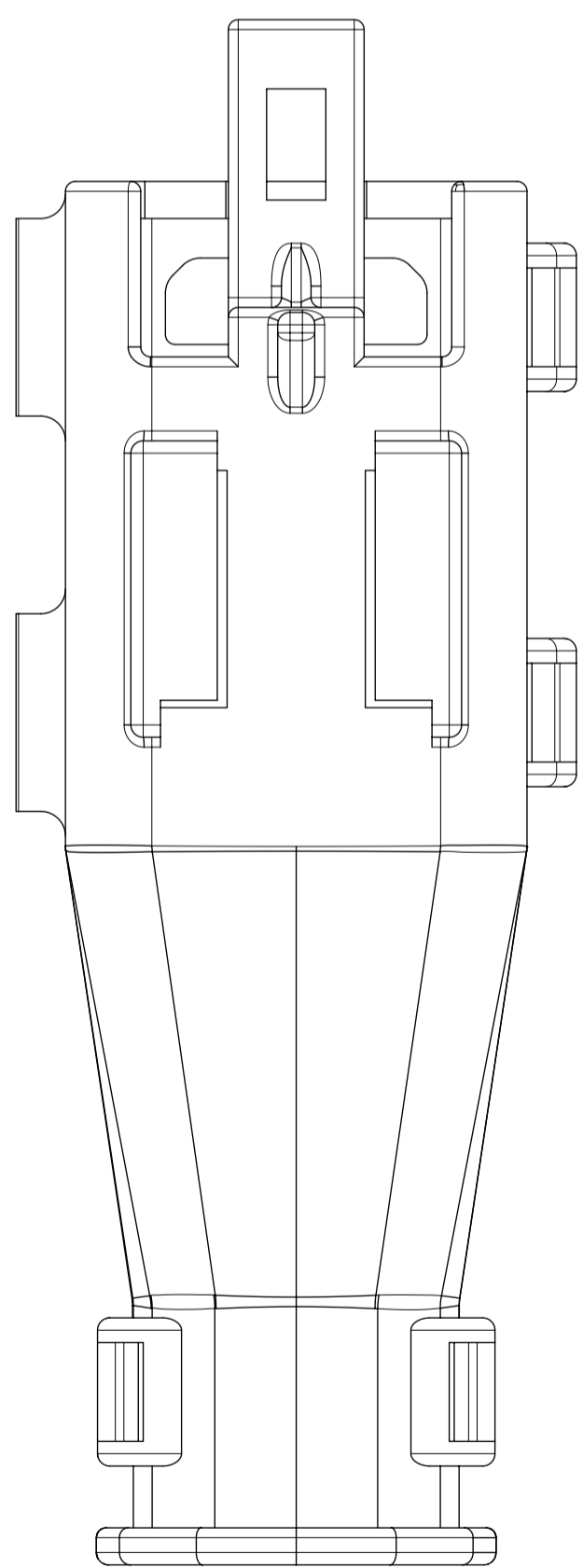
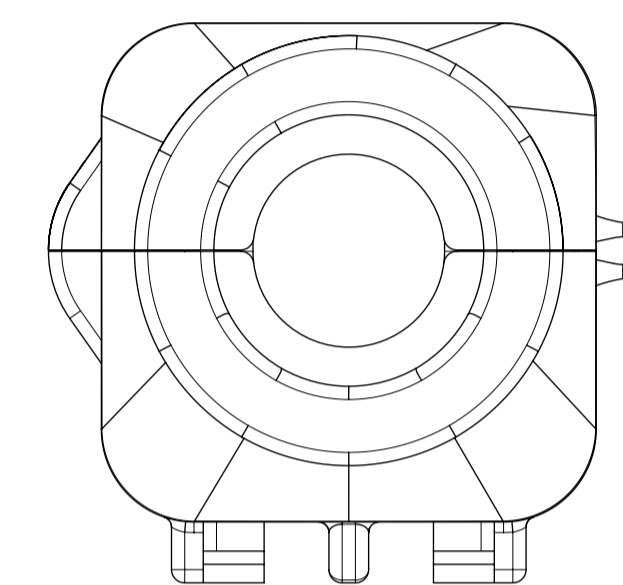
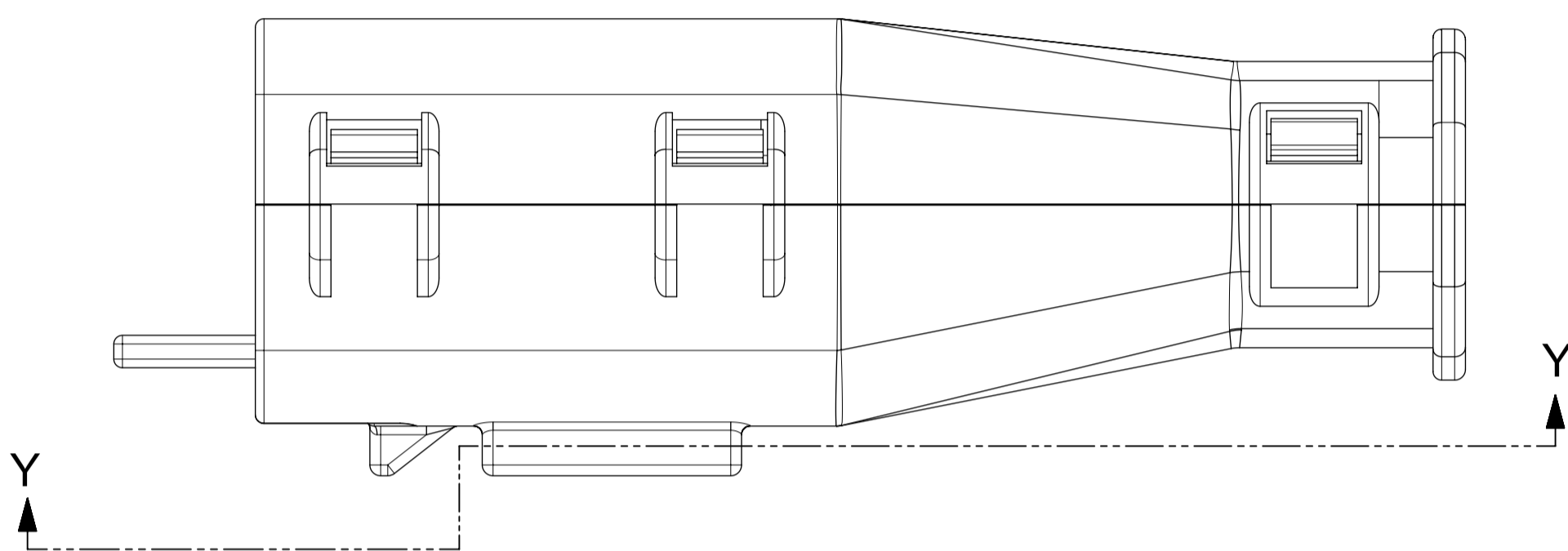
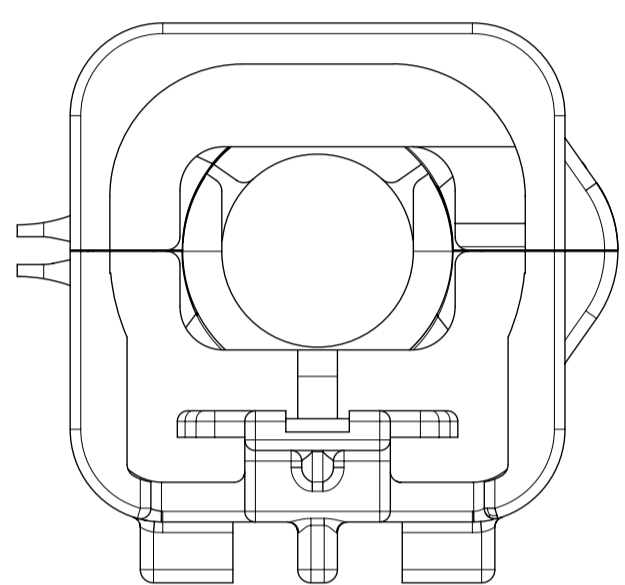
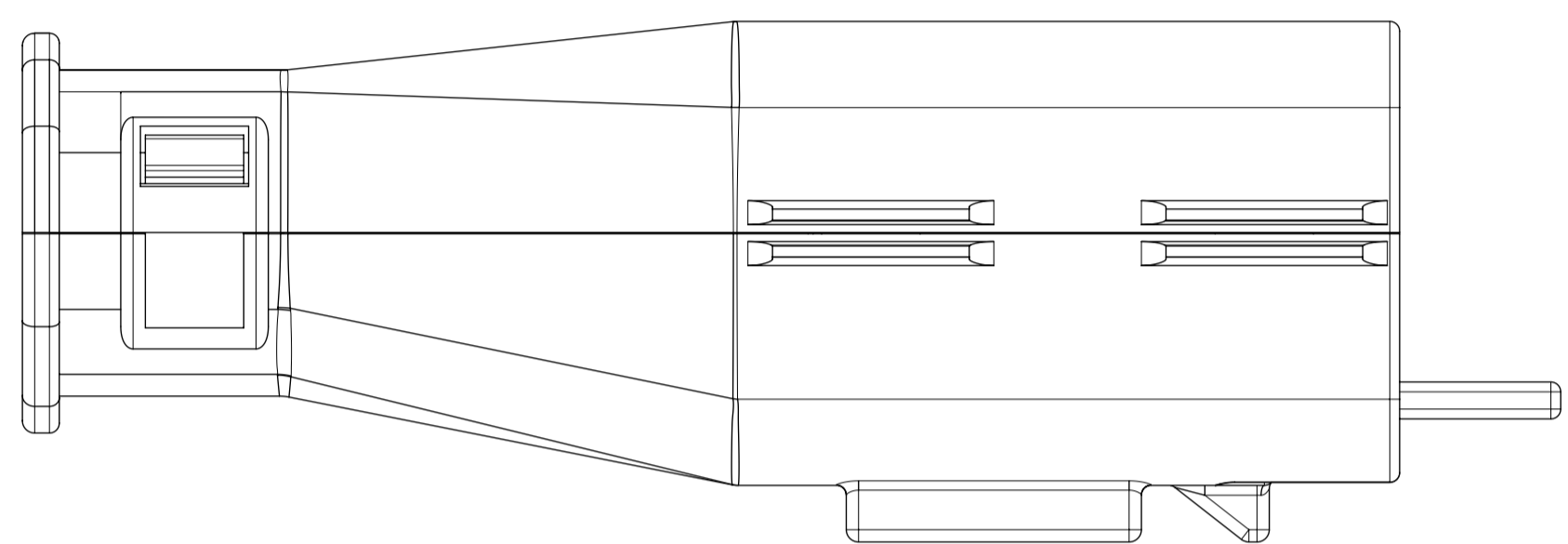


PRIMARY LOCK REINFORCEMENT (PLR) SHOWN IN FINAL-LOCK POSITION SECTION Z-Z

<b>SYMBOLS</b> ▽ = 0 DIMENSION UNITS: MM ONLY ▽ = 0 SCALE: 3:1 ▽ = 0 GENERAL TOLERANCES (UNLESS SPECIFIED) ▽ = 0 ANGULAR TOL ± 1.0° ▽ = 0 4 PLACES ± ▽ = 0 3 PLACES ± ▽ = 0 2 PLACES ± 0.1 ▽ = 0 1 PLACE ± 0.2 ▽ = 0 0 PLACES ± ▽ = 0 DRAFT WHERE APPLICABLE MUST REMAIN WITHIN DIMENSIONS	THIS DRAWING CONTAINS INFORMATION THAT IS PROPRIETARY TO MOLEX ELECTRONIC TECHNOLOGIES, LLC AND SHOULD NOT BE USED WITHOUT WRITTEN PERMISSION		<b>CURRENT REV DESC:</b> EC NO: 602373 DRWN: DSHETTY01 2018/05/25 CHK'D: MVANSLAMBROU 2018/10/04 APPR: MVANSLAMBROU 2018/10/04		<p><b>MX150 BLADE</b> SINGLE ROW SEALED ASSY MAT SEAL</p> <p>PRODUCT CUSTOMER DRAWING</p>
	<b>INITIAL REVISION:</b> DRWN: APROFFITT 2015/07/21 APPR: KDEKOSKI 2016/06/14		DOCUMENT NUMBER: SD-33481-0001	DOC TYPE: PSD DOC PART: 001 REVISION: A1	
	THIRD ANGLE PROJECTION	DRAWING: A1-SIZE	SERIES: 33481	MATERIAL NUMBER: SEE NOTE 2a. CUSTOMER: GENERAL MARKET SHEET NUMBER: 5 OF 9	

**SHEET DESCRIPTION**

BACKSHELL

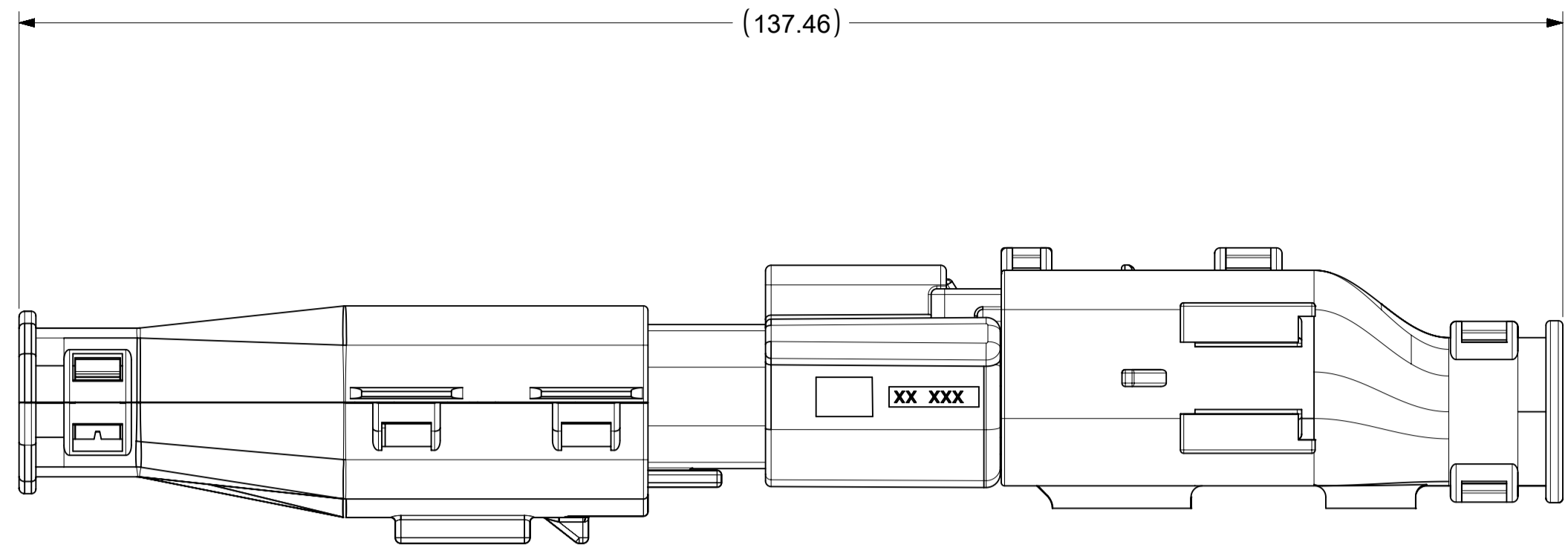


PARTIAL Y-Y  
SCALE 3.5:1

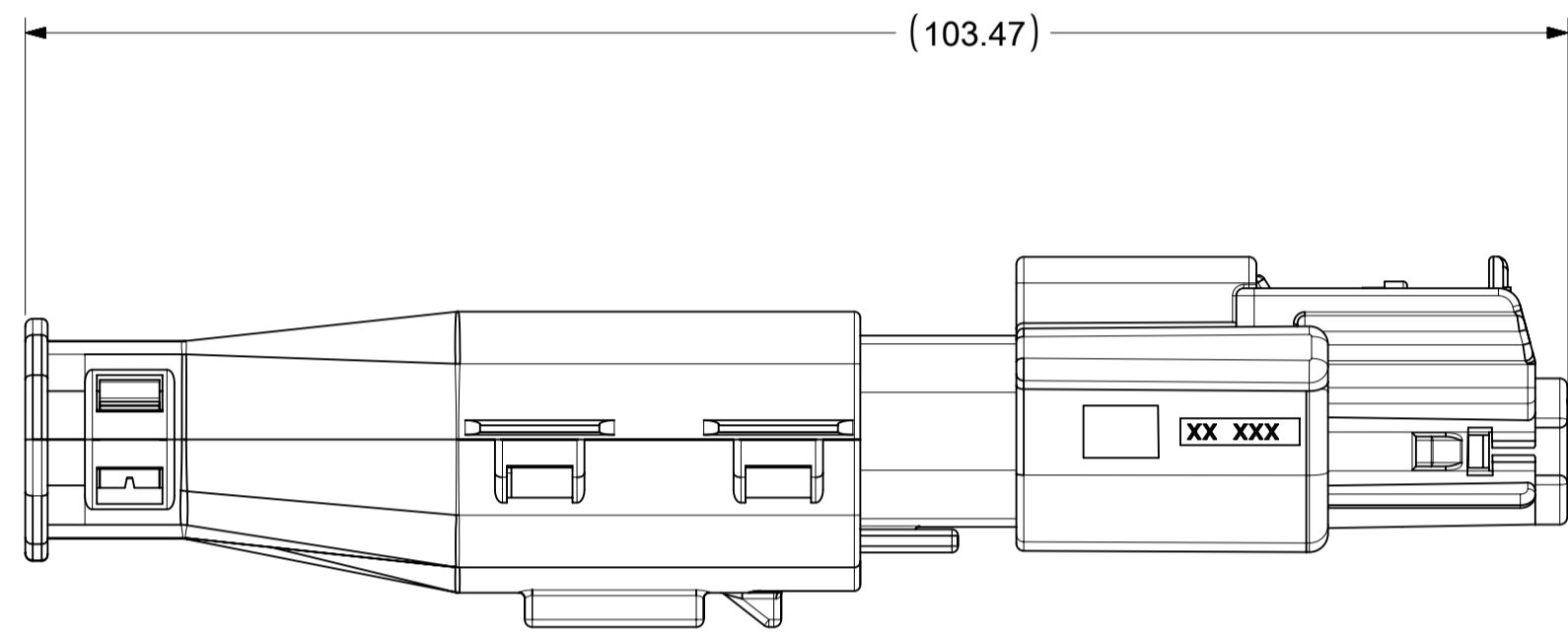
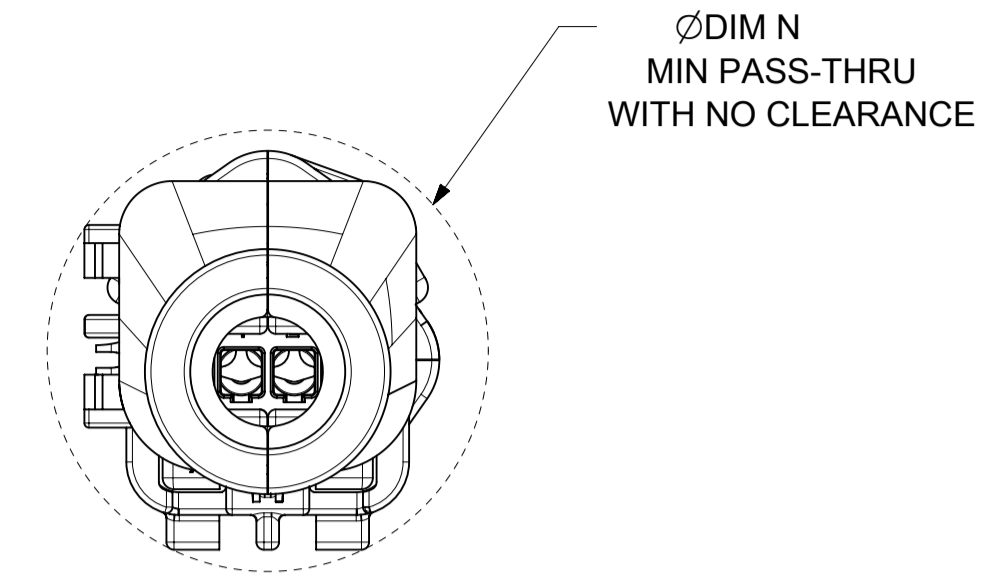
<b>SYMBOLS</b> = 0 = 0 = 0 = 0 = 0 = 0 = 0 = 0 = 0 = 0 = 0 = 0 	THIS DRAWING CONTAINS INFORMATION THAT IS PROPRIETARY TO MOLEX ELECTRONIC TECHNOLOGIES, LLC AND SHOULD NOT BE USED WITHOUT WRITTEN PERMISSION		CURRENT REV DESC:		
	DIMENSION UNITS	SCALE	EC NO: 602373		
	MM ONLY	3.5:1	DRWN: DSHETTY01 2018/05/25		
	GENERAL TOLERANCES (UNLESS SPECIFIED)		CHK'D: MVANSLAMBROU 2018/10/04		PRODUCT CUSTOMER DRAWING
ANGULAR TOL ± 1.0°		APPR: MVANSLAMBROU 2018/10/04		DOCUMENT NUMBER	
4 PLACES ±		INITIAL REVISION:		SD-33481-0001	DOC TYPE   DOC PART   REVISION
3 PLACES ±		DRWN: APROFFITT 2015/07/21		PSD	001   A1
2 PLACES ± 0.1		APPR: KDEKOSKI 2016/06/14		MATERIAL NUMBER	
1 PLACE ± 0.2		THIRD ANGLE PROJECTION		SEE NOTE 2a.	CUSTOMER
0 PLACES ±		DRAWING		GENERAL MARKET	SHEET NUMBER
DRAFT WHERE APPLICABLE MUST REMAIN WITHIN DIMENSIONS		SERIES		8 OF 9	
		A1-SIZE			
		33481			

**SHEET DESCRIPTION**  
BACKSHELL CONFIGURATIONS

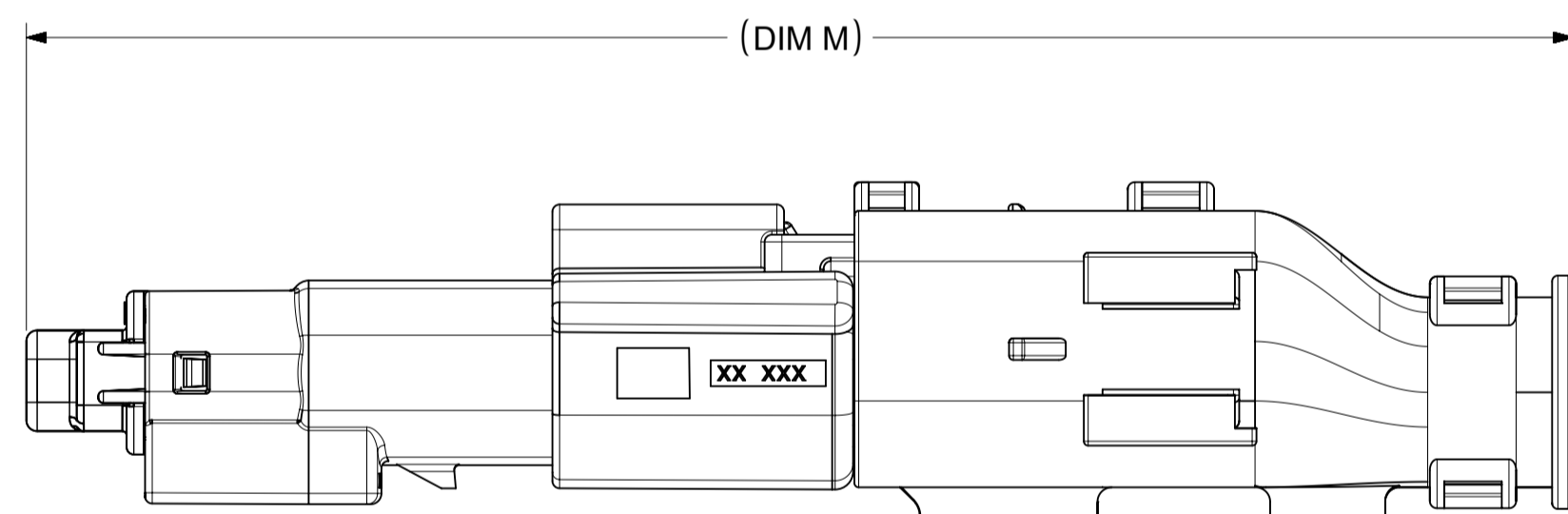
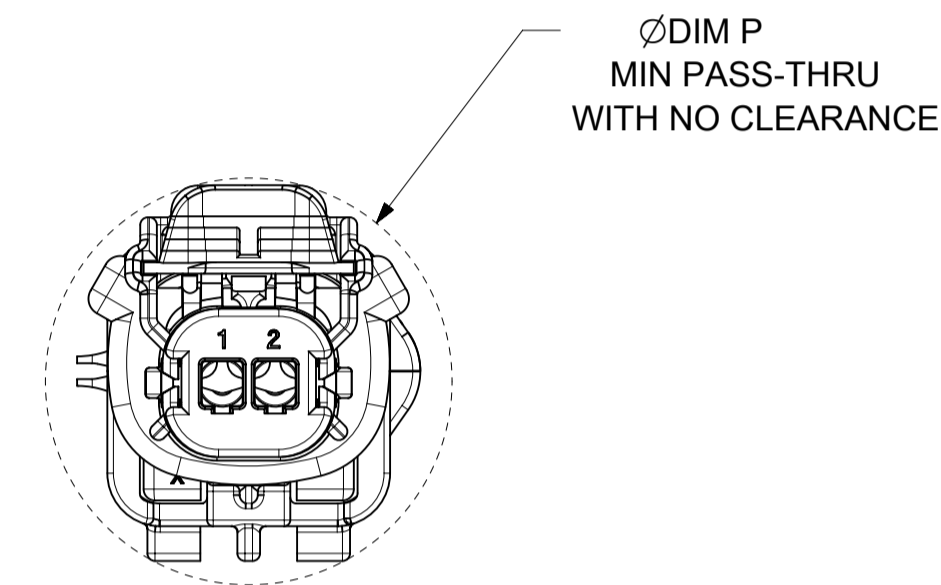
CKT	BLADE CONFIGURATION	RECEPTACLE CONFIGURATION	DIMENSIONS				
			M	N	P	R	S
1X2	STANDARD	STANDARD	107.84	29.50	27.00	26.25	25.00



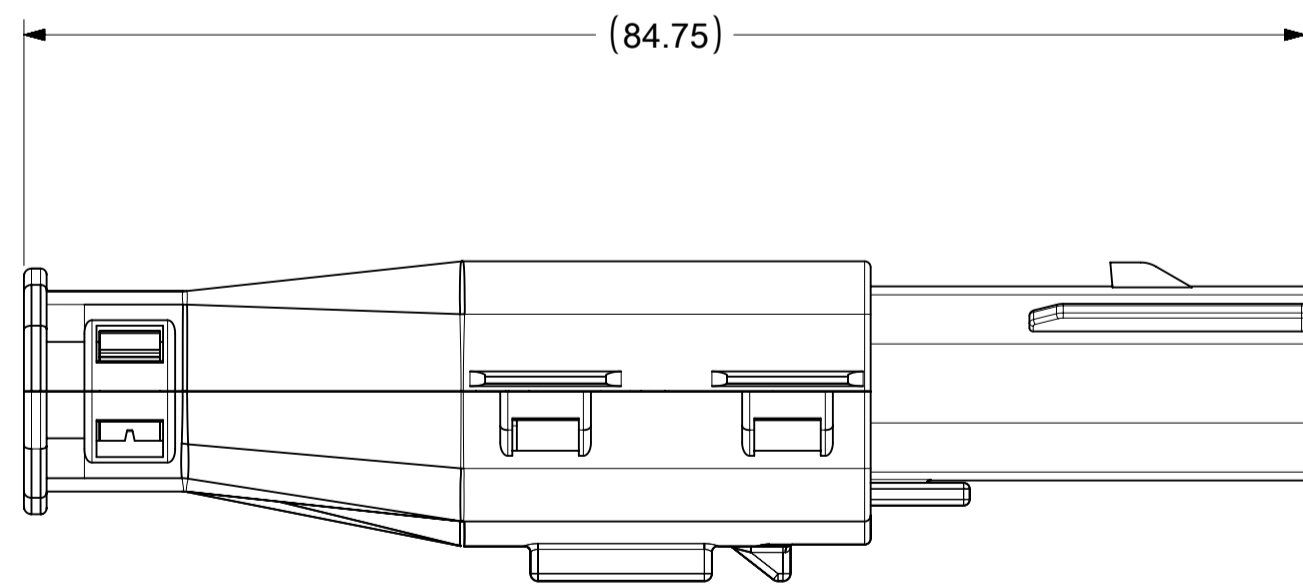
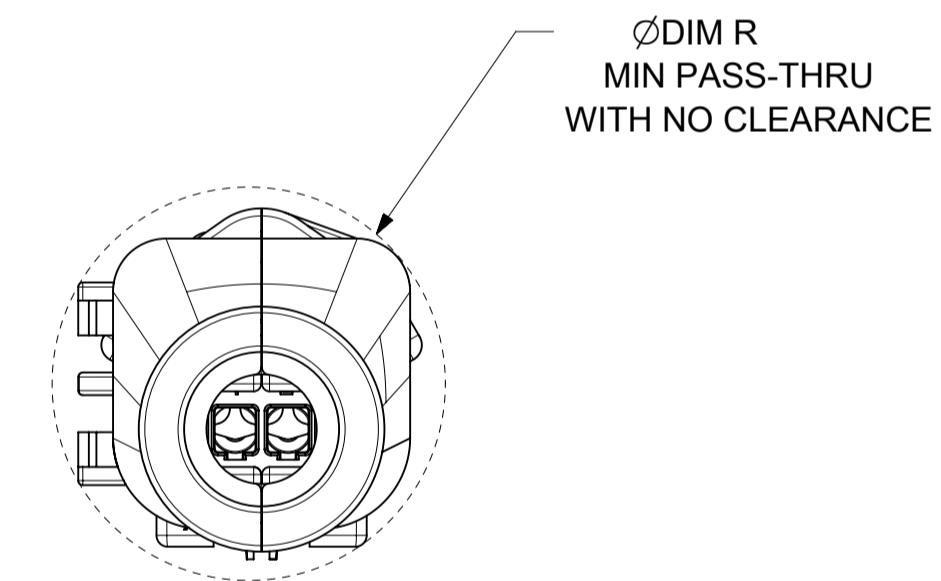
OVERALL MATED SYSTEM WITH BLADE AND RECEPTACLE BACKSHELL



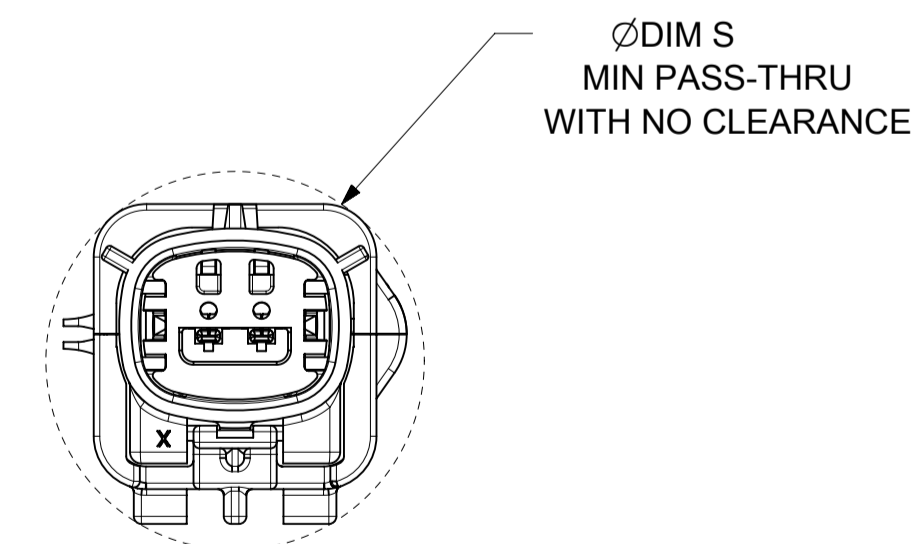
OVERALL MATED SYSTEM WITH BLADE BACKSHELL



OVERALL MATED SYSTEM WITH RECEPTACLE BACKSHELL



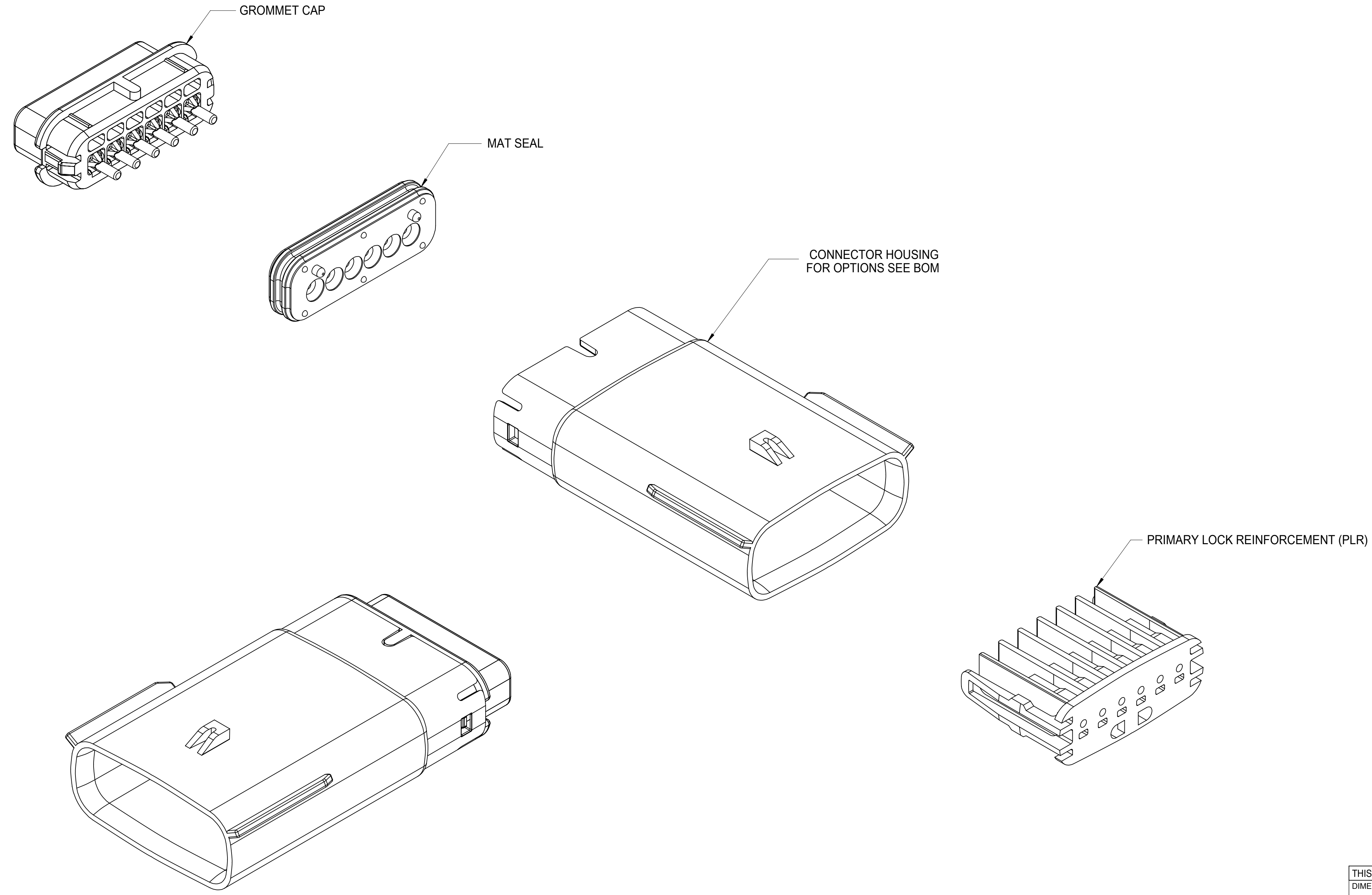
BLADE SEALED ASSEMBLY WITH BLADE BACKSHELL



<b>SYMBOLS</b> = 0 = 0 = 0 = 0 = 0 = 0 = 0 = 0 = 0 = 0	THIS DRAWING CONTAINS INFORMATION THAT IS PROPRIETARY TO MOLEX ELECTRONIC TECHNOLOGIES, LLC AND SHOULD NOT BE USED WITHOUT WRITTEN PERMISSION DIMENSION UNITS: <b>MM ONLY</b> SCALE: <b>2:1</b>	CURRENT REV DESC: EC NO: 602373 DRWN: DSHETTY01 2018/05/25 CHK'D: MVANSLAMBROU 2018/10/04 APPR: MVANSLAMBROU 2018/10/04	 MX150 BLADE SINGLE ROW SEALED ASSY MAT SEAL		
	GENERAL TOLERANCES (UNLESS SPECIFIED) ANGULAR TOL ± 1.0° 4 PLACES ± 3 PLACES ± 2 PLACES ± 0.1 1 PLACE ± 0.2 0 PLACES ±	INITIAL REVISION: DRWN: APROFFITT 2015/07/21 APPR: KDEKOSKI 2016/06/14	PRODUCT CUSTOMER DRAWING DOCUMENT NUMBER: <b>SD-33481-0001</b> DOC TYPE: PSD DOC PART: 001 REVISION: <b>A1</b>		
DRAFT WHERE APPLICABLE MUST REMAIN WITHIN DIMENSIONS	THIRD ANGLE PROJECTION 	DRAWING: <b>A1-SIZE</b> SERIES: <b>33481</b>	MATERIAL NUMBER: SEE NOTE 2a. CUSTOMER: GENERAL MARKET	SHEET NUMBER: 9 OF 9	



TABLE OF CONTENTS	
SHEET NO.	SHEET DESCRIPTION
1	NOTES
2	KEY CONFIGURATIONS
3	BLADE SEALED ASSEMBLY
4	SYSTEM PACKAGING
5	BOM



NOTES: VALID UNLESS OTHERWISE SPECIFIED

1. GENERAL:

a. APPLICATION SPECIFICATION SEE: AS-33472-100  
CONTAINS: PRODUCT INTRODUCTION, PRODUCT SUMMARY, CONNECTOR ASSEMBLY, PACKAGING INFORMATION, CONNECTOR MATING, SERVICE INSTRUCTIONS, ELECTRICAL CONTINUITY CHECKING, CRIMPING, AND TROUBLESHOOTING.  
-DESIGNED TO MATE WITH RECEPTACLE SEALED ASSEMBLY SPECIFIED IN MOLEX DRAWING SD-33471-061.  
-FOR 1.5mm BLADE TERMINALS TO BE USED WITH THIS ASSEMBLY SEE MOLEX DRAWING SD-33000-001.  
- SYSTEM TO BE USED WITH WIRE WITHIN DIAMETER RANGE OF 1.2mm TO 2.69mm.  
-ASSEMBLY SHIPPED WITH PLR IN PRE-LOCK POSITION  
-IN THE EVENT THAT THE PLR IS FOUND IN THE SEATED (FINAL LOCK) POSITION, REFER TO MOLEX SPECIFICATION PS-34646-001, AVAILABLE AT [www.molex.com](http://www.molex.com) <<http://www.molex.com>>  
-ASSEMBLY CONFORMS TO SAE/USCAR-2 REV.4 WITH THE FOLLOWING EXCEPTIONS:  
TERMINAL INSERTION FORCE FOR WIRE DIAMETER ABOVE 2.5mm NOT EXCEEDING 2.69mm SHALL NOT EXCEED 45 NEWTONS.

b. PRODUCT SPECIFICATION SEE: PS-33471-000  
CONTAINS: PRODUCT INTRODUCTION, PRODUCT SUMMARY, RATINGS (CURRENT, TEMPERATURE, SEALING, AND FLAMMABILITY), AND PRODUCT VALIDATION.

c. PACKAGING SPECIFICATION PER MOLEX DRAWING: PK-31300-635

d. PARTS MUST BE IN COMPLIANCE TO MOLEX CHEMICAL SUBSTANCES FOR PRODUCTS AND PACKAGING SPECIFICATION: ES-40000-5016

e. DATA MUST BE SUBMITTED UNDER THE MOLEX PART NUMBER TO IMDS (COMPANY ID#13255)

2. DESIGN - MATERIALS:

a. CONNECTOR HOUSING, GROMMET CAP, PLR: SPS/NYLON BLEND 20% GLASS FILLED  
b. MAT SEAL: INHERENTLY LUBRICATED SILICONE

3. DESIGN - GEOMETRY:

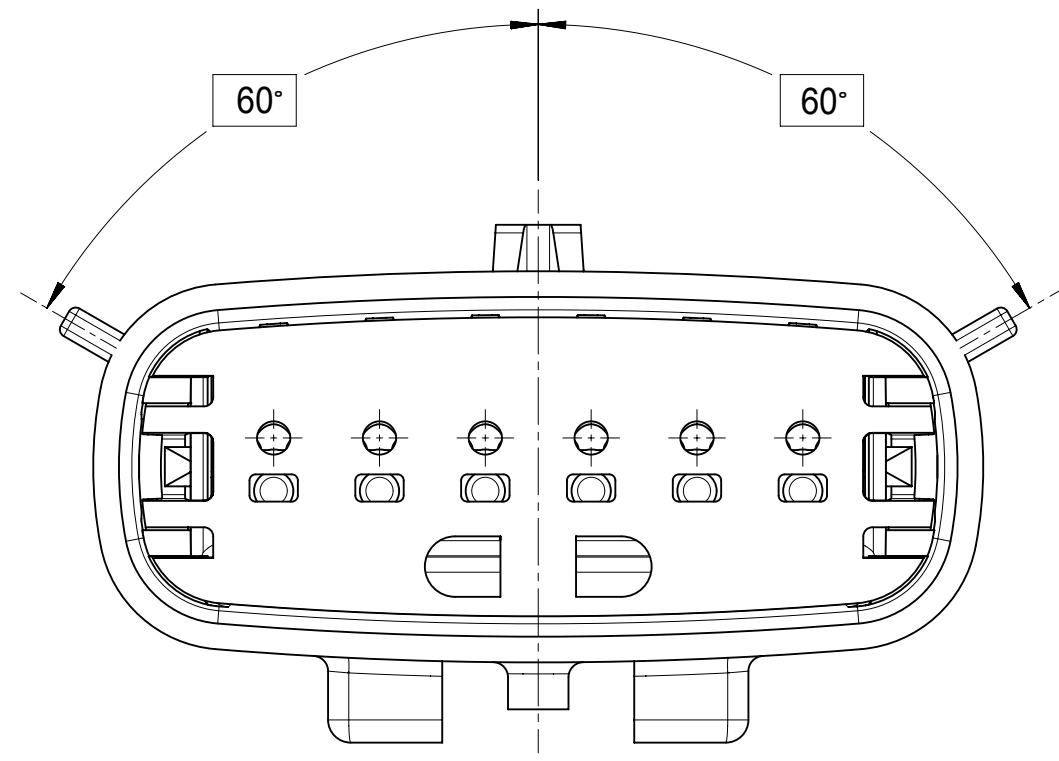
a. THIS IS A 100% CAD GENERATED PART. THE CAD MATHEMATICAL DATA IS THE MASTER FOR THIS PART. FOR DIMENSIONAL OR ANY INFORMATION NOT SHOWN ON THIS DRAWING, ANALYZE THE CAD MODEL.  
b. GEOMETRIC DIMENSIONS AND TOLERANCES PER ASME Y14.5M - 1994  
c. EDGES AND UNDIMENSIONED DETAILS PER ISO13715  
d. CORNERS SHOWN AS SHARP TO BE R 0.2 MAX.  
e. LETTERING SHALL BE 0.15 MAX RAISED IN 0.25 MAX RECESS PAD. THIS INCLUDES RECYCLING CODE, CAVITY ID, VENDOR IDENTIFICATION, AND CUSTOMER MATERIAL NUMBER.  
f. VISUAL DEFECTS SHALL MEET COSMETIC STANDARD PS-45499-002 (Class B)  
g. LASER MARKING: TBD

INSPECTION NUMBER LOG  
LAST NUMBER USED: 8  
ADDED:  
REMOVED:

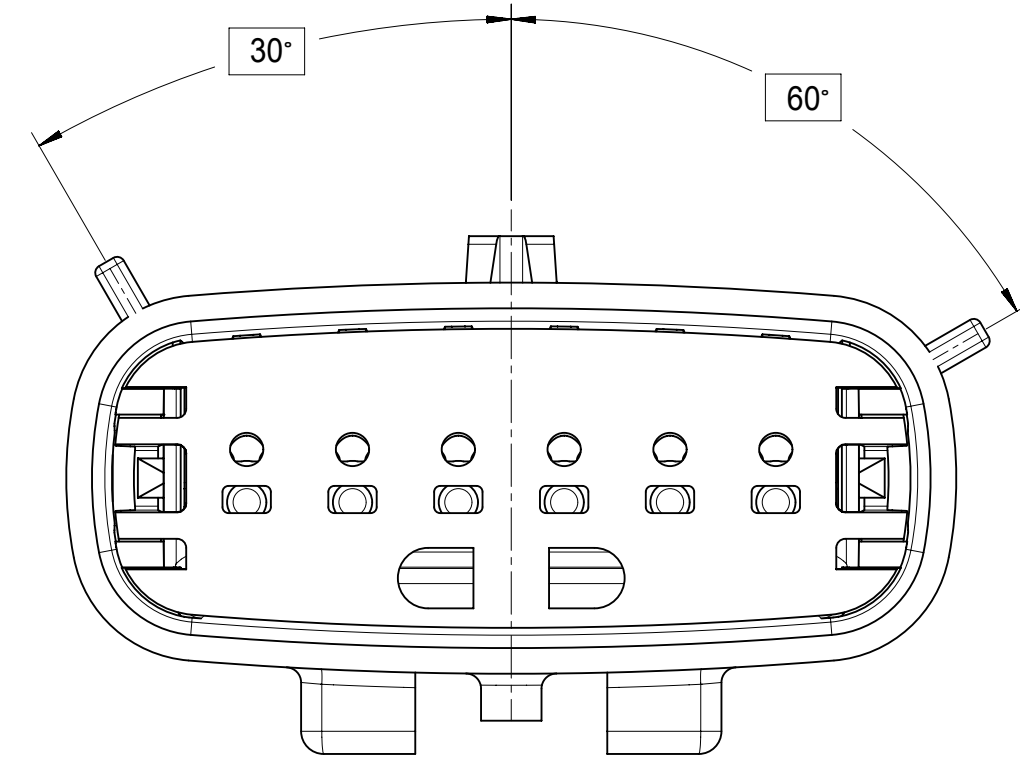
V6	ADD NEW P/N 33481-6625 TO 33481-6626
V5	CHANGED PARTS STATUS TO "NOT RECOMMENDED" FOR SINGLE ROW BLADE MAT SEAL CHANGE
V4	UPDATE 33481-0602/0607/0612/0618/0619 STATUS TO "SALEABLE" AND UPDATE 33481-0603/0604/0608/0609/0613/0614 STATUS TO "NOT RECOMMENDED" ON SHEET 5; UPDATE 33481-6602/6607/6612/6618/6619 STATUS TO "SALEABLE" AND UPDATE 33481-6603/6604/6608/6609/6613/6614 STATUS TO "NOT RECOMMENDED" ON SHEET 5;
V3	ADD NEW P/N 33481-6601 TO 33481-6624
V2	ADD NEW P/N 33481-0624
V1	ADD NEW P/N 33481-0623
U	ADD NEW P/N 33481-0621 33481-0622
T	ADD NEW P/N 33481-0620
S	UPDATED GROMMET CAP
R1	UPDATED DIMENSIONS TO MATCH MODEL
R	COLOR REPLACEMENT FOR KEY C AND D PER USCAR STANDARD
Q	REDRAWN
REV	DESCRIPTION

THIS DRAWING CONTAINS INFORMATION THAT IS PROPRIETARY TO MOLEX ELECTRONIC TECHNOLOGIES, LLC AND SHOULD NOT BE USED WITHOUT WRITTEN PERMISSION		CURRENT REV DESC: SEE REVISION TABLE					
DIMENSION UNITS	SCALE	EC NO: 654141					
mm	3:1	DRWN: SCV 2021/01/29		MX150 1X6 BLADE SEALED ASSEMBLY MAT SEAL  PRODUCT CUSTOMER DRAWING			
GENERAL TOLERANCES (UNLESS SPECIFIED)		CHK'D: GGA 2021/02/03					
ANGULAR TOL ± 3.0°		APPR: GGA 2021/02/03					
4 PLACES	±	INITIAL REVISION:		DOCUMENT NUMBER	DOC TYPE	DOC PART	REVISION
3 PLACES	±	DRWN: DGRIFITHS 2005/08/26		SD-33481-061	PSD	001	V6
2 PLACES	± 0.1	APPR: smarceau 2005/08/29					
1 PLACE	± 0.3	DRAFT WHERE APPLICABLE MUST REMAIN WITHIN DIMENSIONS		MATERIAL NUMBER	CUSTOMER		SHEET NUMBER
0 PLACES	±	THIRD ANGLE PROJECTION		SEE BOM	GENERAL MARKET		1 OF 5
		D-W-SIZE 33481					

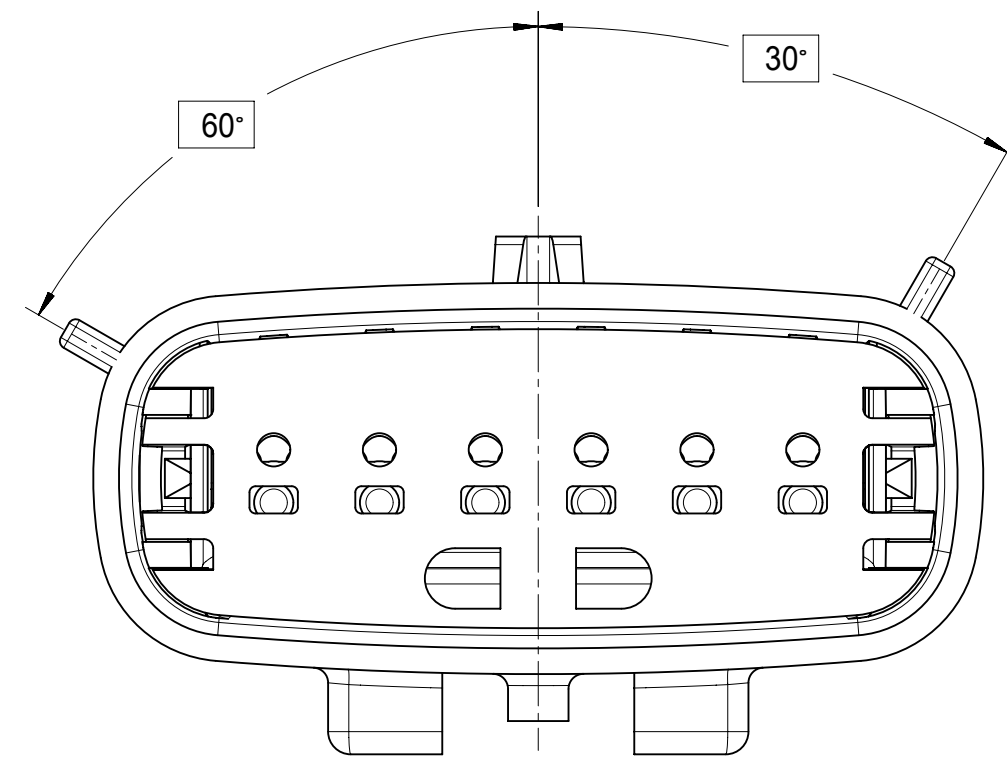




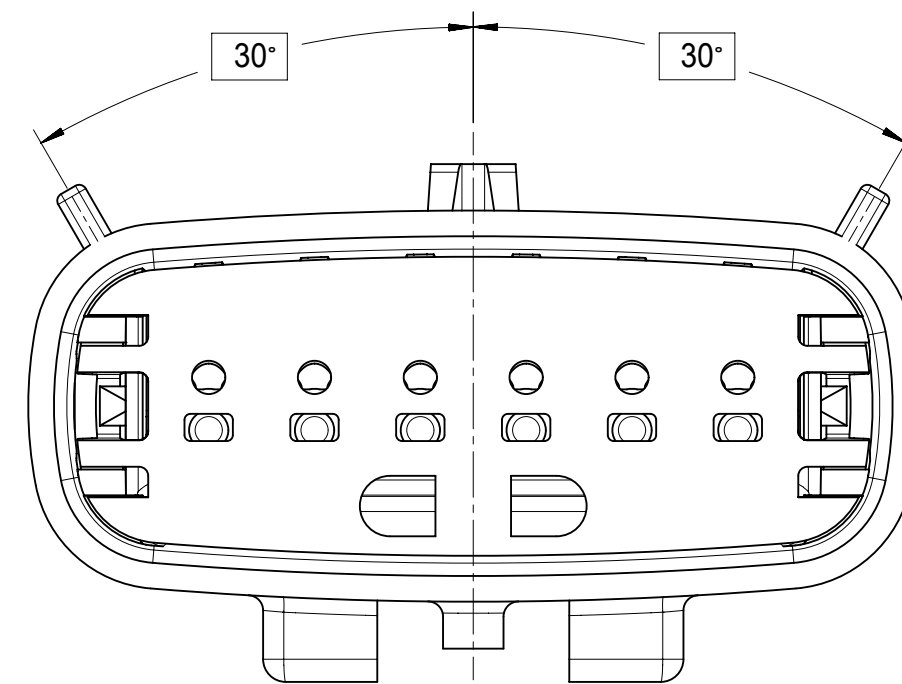
KEY A



KEY B

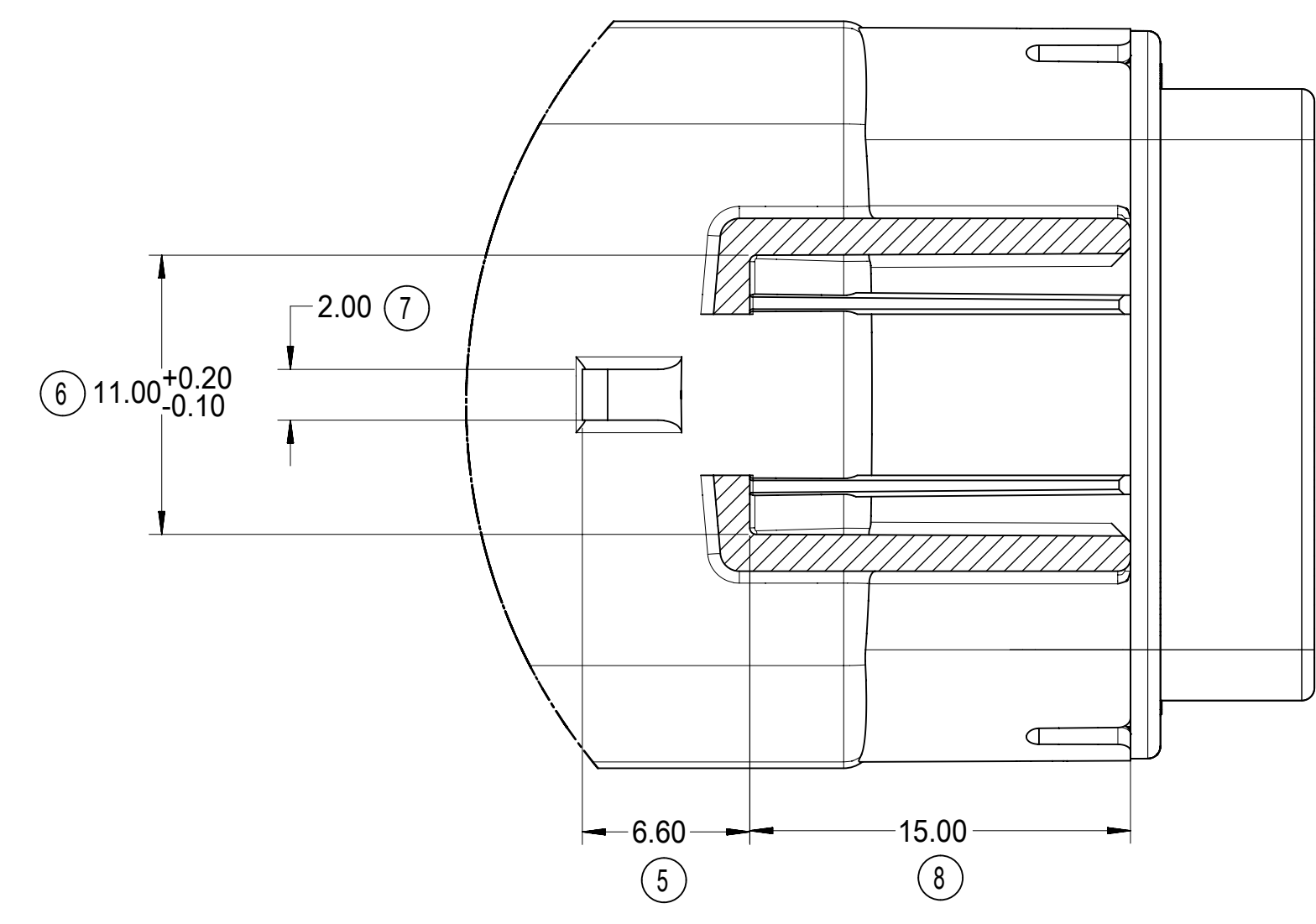
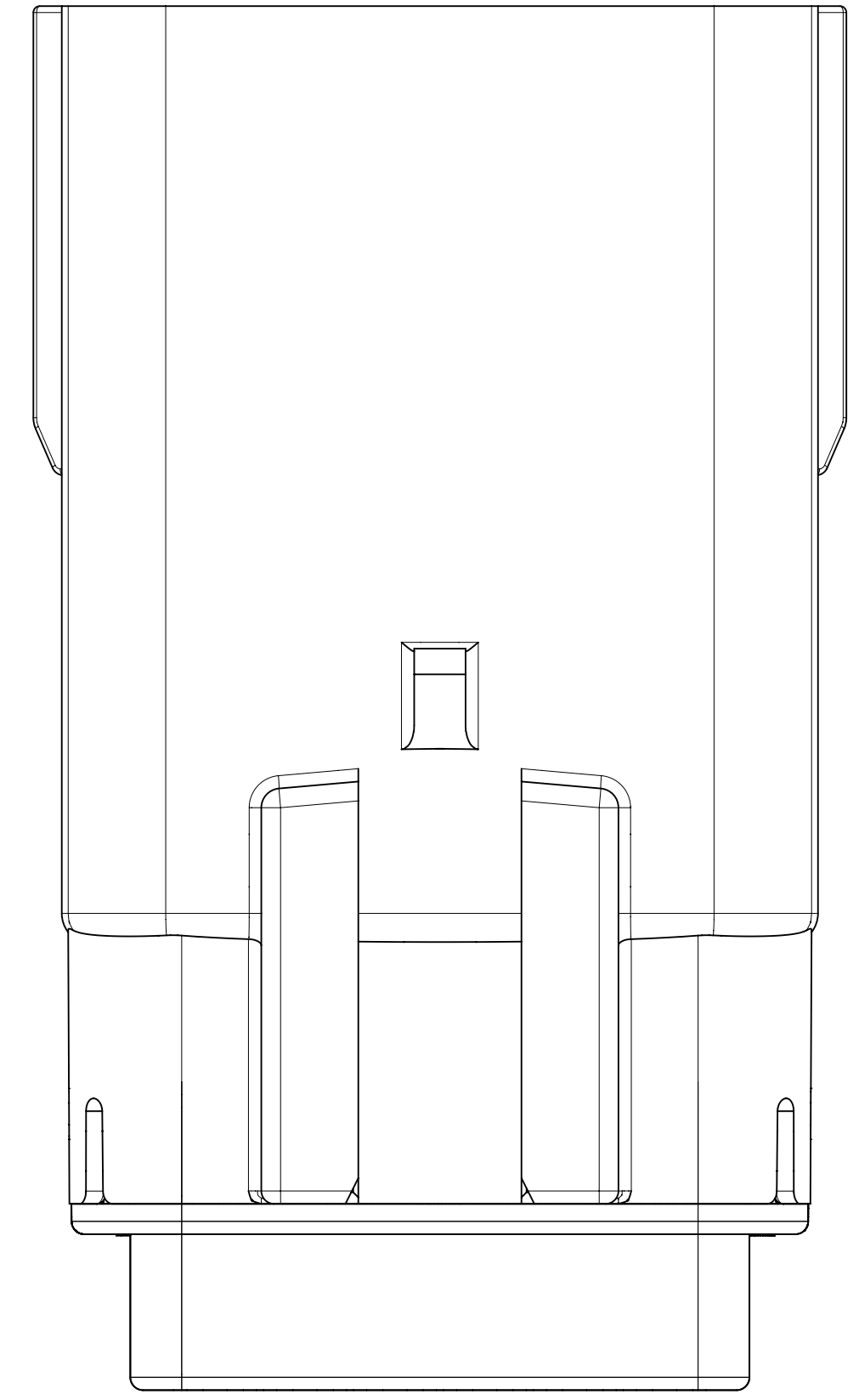
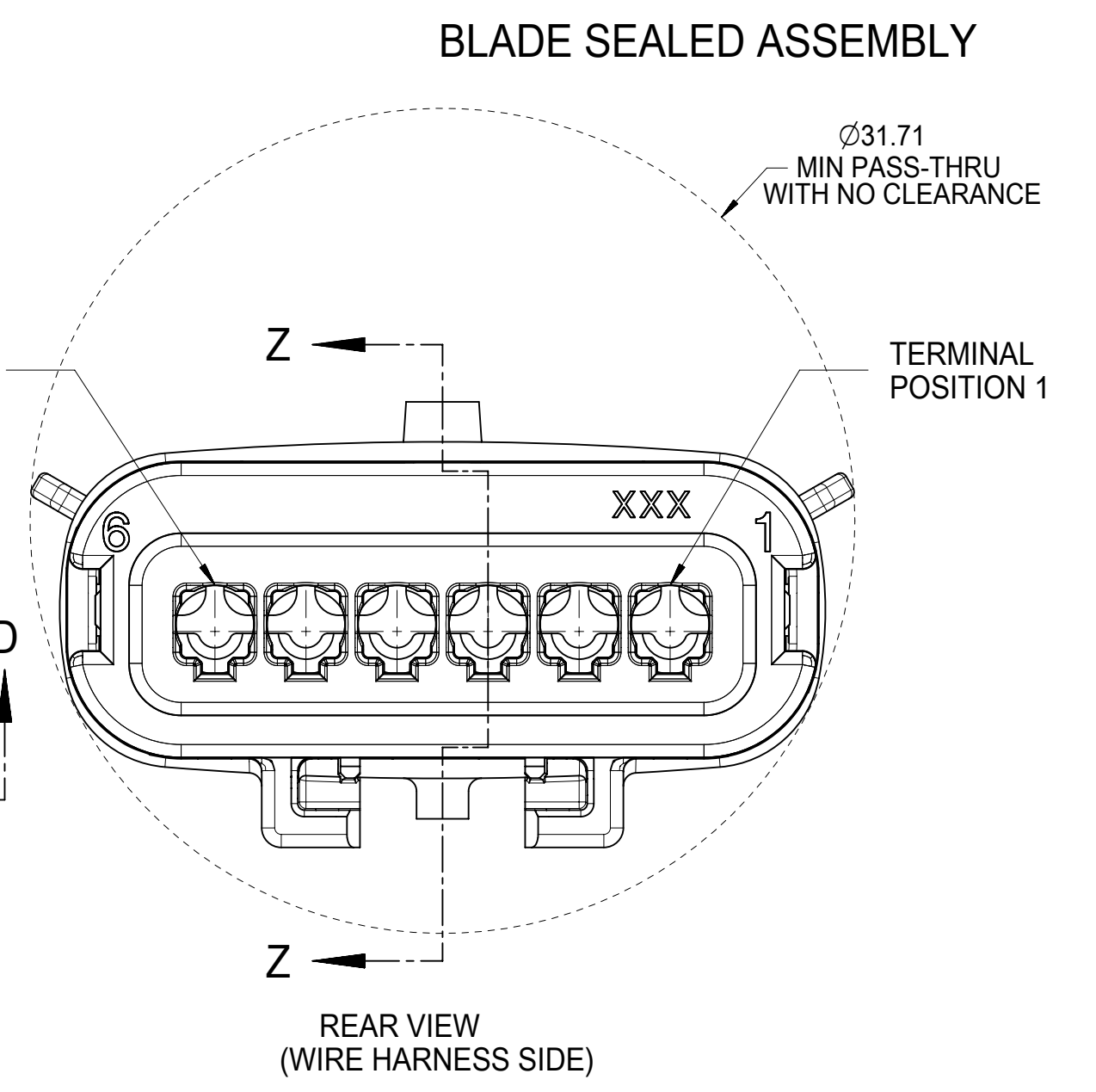
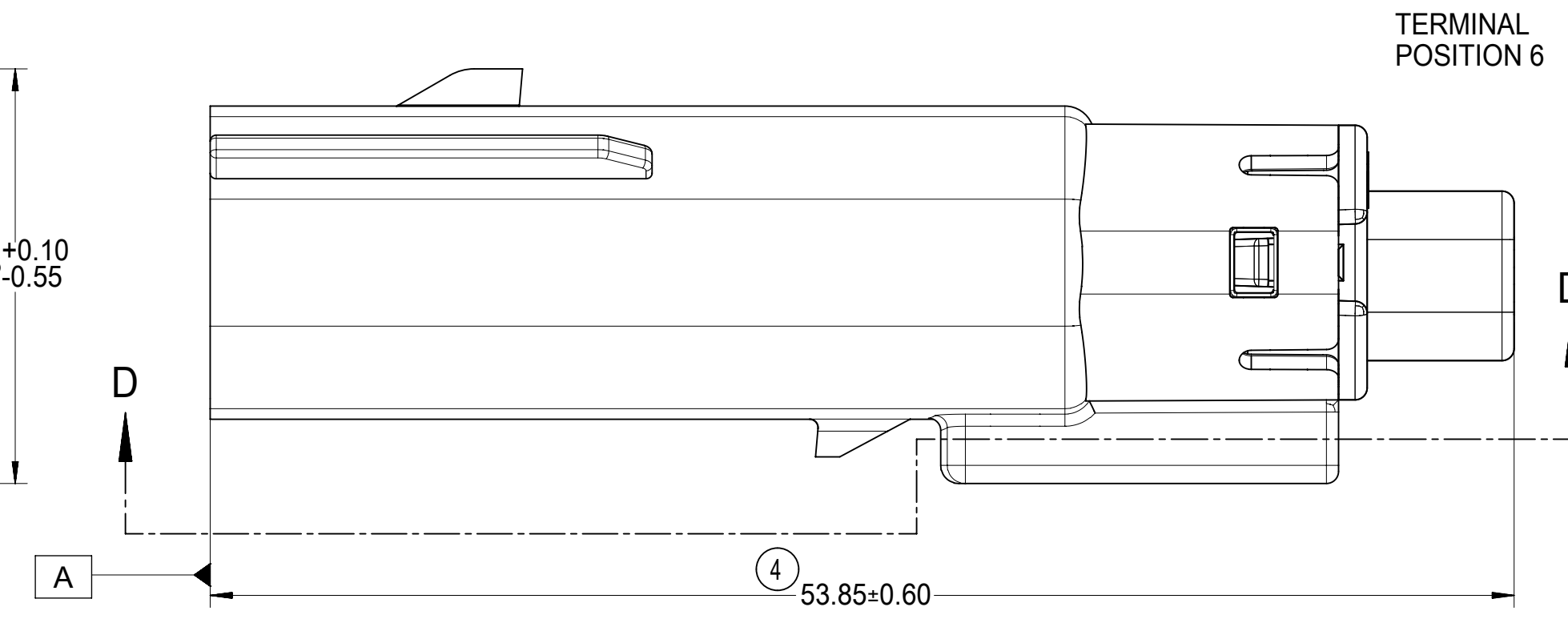
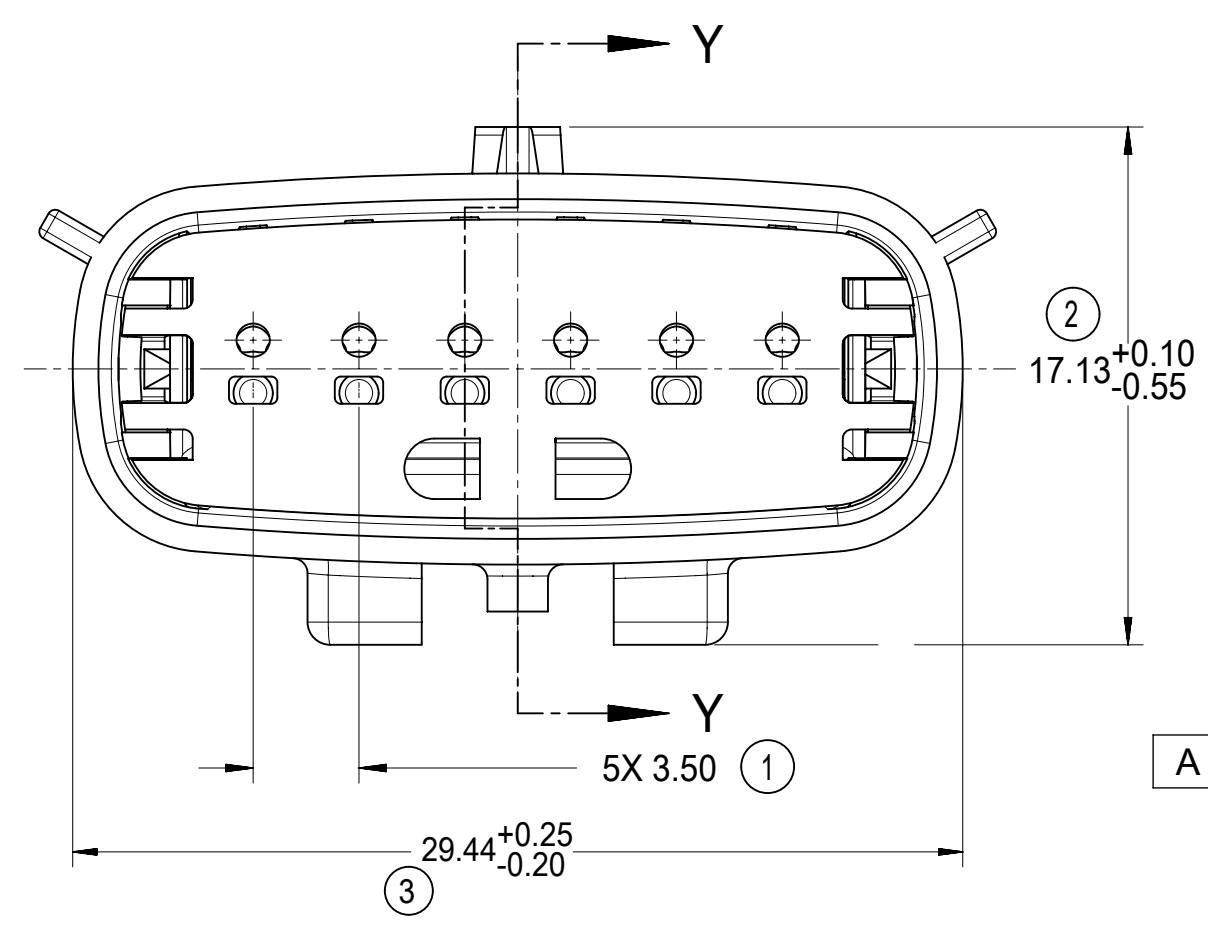
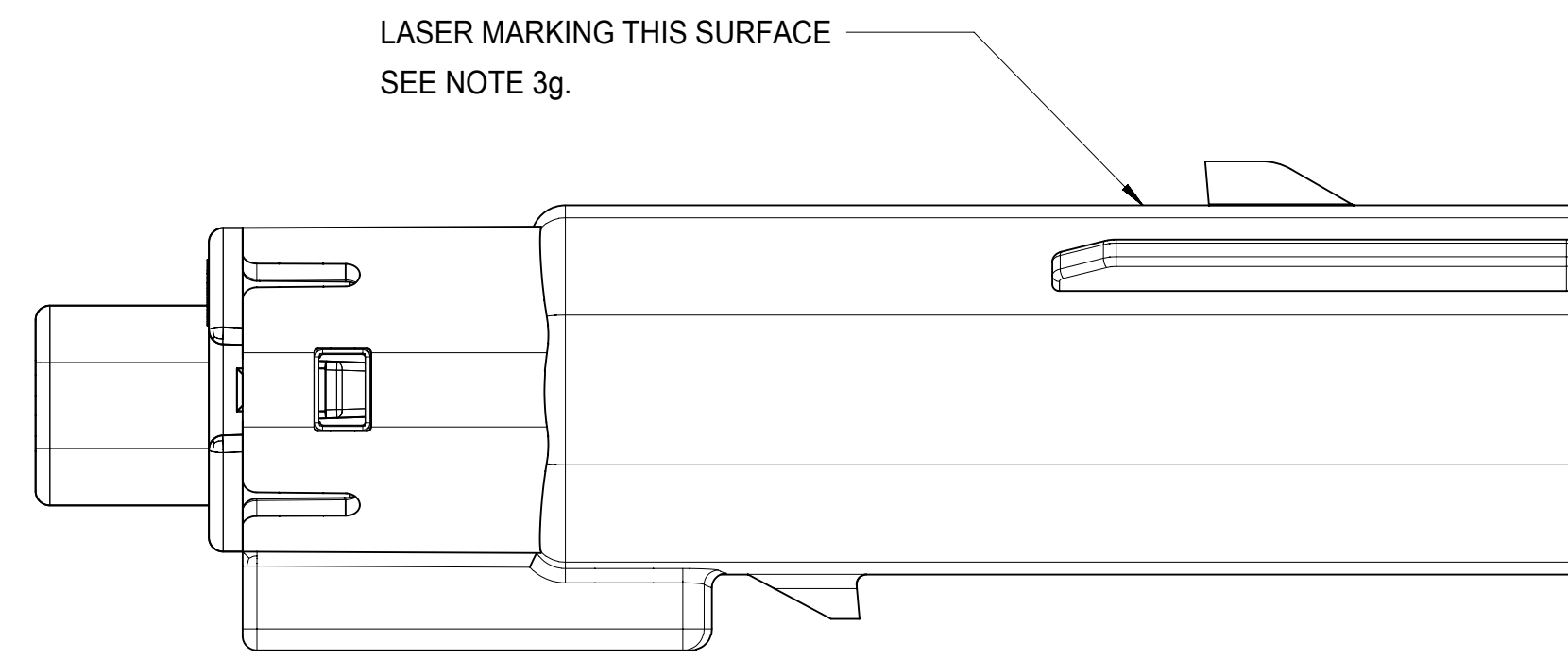


KEY C

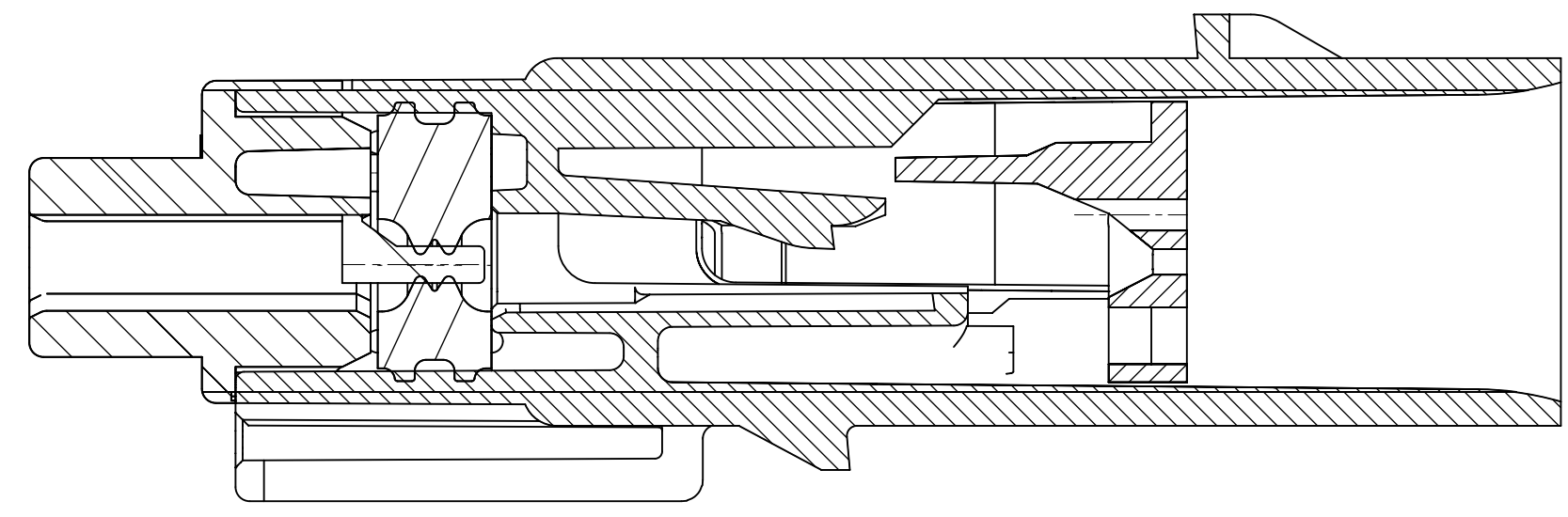


KEY D

THIS DRAWING CONTAINS INFORMATION THAT IS PROPRIETARY TO MOLEX ELECTRONIC TECHNOLOGIES, LLC AND SHOULD NOT BE USED WITHOUT WRITTEN PERMISSION																	
DIMENSION UNITS		SCALE		CURRENT REV DESC: SEE REVISION TABLE													
mm		4:1															
GENERAL TOLERANCES (UNLESS SPECIFIED)				EC NO: 654141				DOCUMENT NUMBER		DOC TYPE	DOC PART	REVISION					
ANGULAR TOL ± 3.0°				DRWN: SCV 2021/01/29				SD-33481-061		PSD	001	V6					
4 PLACES ±				CHK'D: GGA 2021/02/03				PRODUCT CUSTOMER DRAWING									
3 PLACES ±				APPR: GGA 2021/02/03				INITIAL REVISION:									
2 PLACES ± 0.1				DRWN: DGRIFITHS 2005/08/26				MATERIAL NUMBER									
1 PLACE ± 0.3				APPR: smarceau 2005/08/29				CUSTOMER									
0 PLACES ±				DRAFT WHERE APPLICABLE MUST REMAIN WITHIN DIMENSIONS		THIRD ANGLE PROJECTION		DRAWING		SHEET NUMBER							
DOCUMENT STATUS		P1		RELEASE DATE		2021/02/03 08:29:05		D-SIZE		33481		SEE BOM		GENERAL MARKET		2 OF 5	

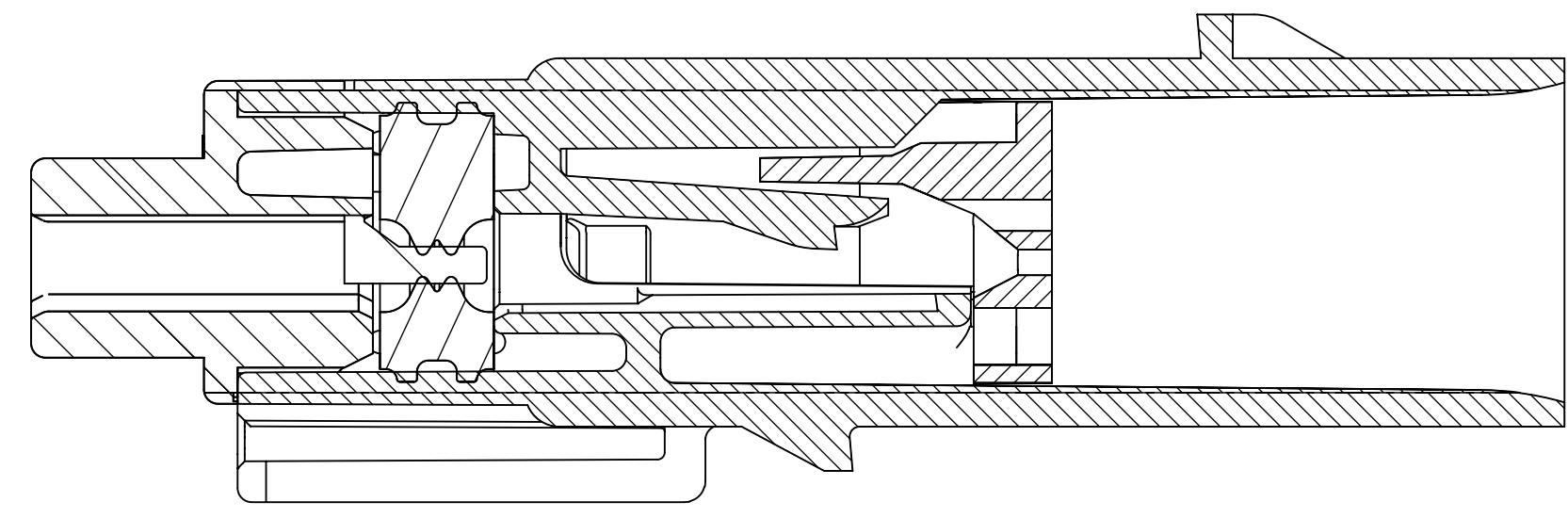


SECTION D-D



PRIMARY LOCK REINFORCEMENT (PLR) SHOWN IN PRE-STAGED POSITION

SECTION Z-Z

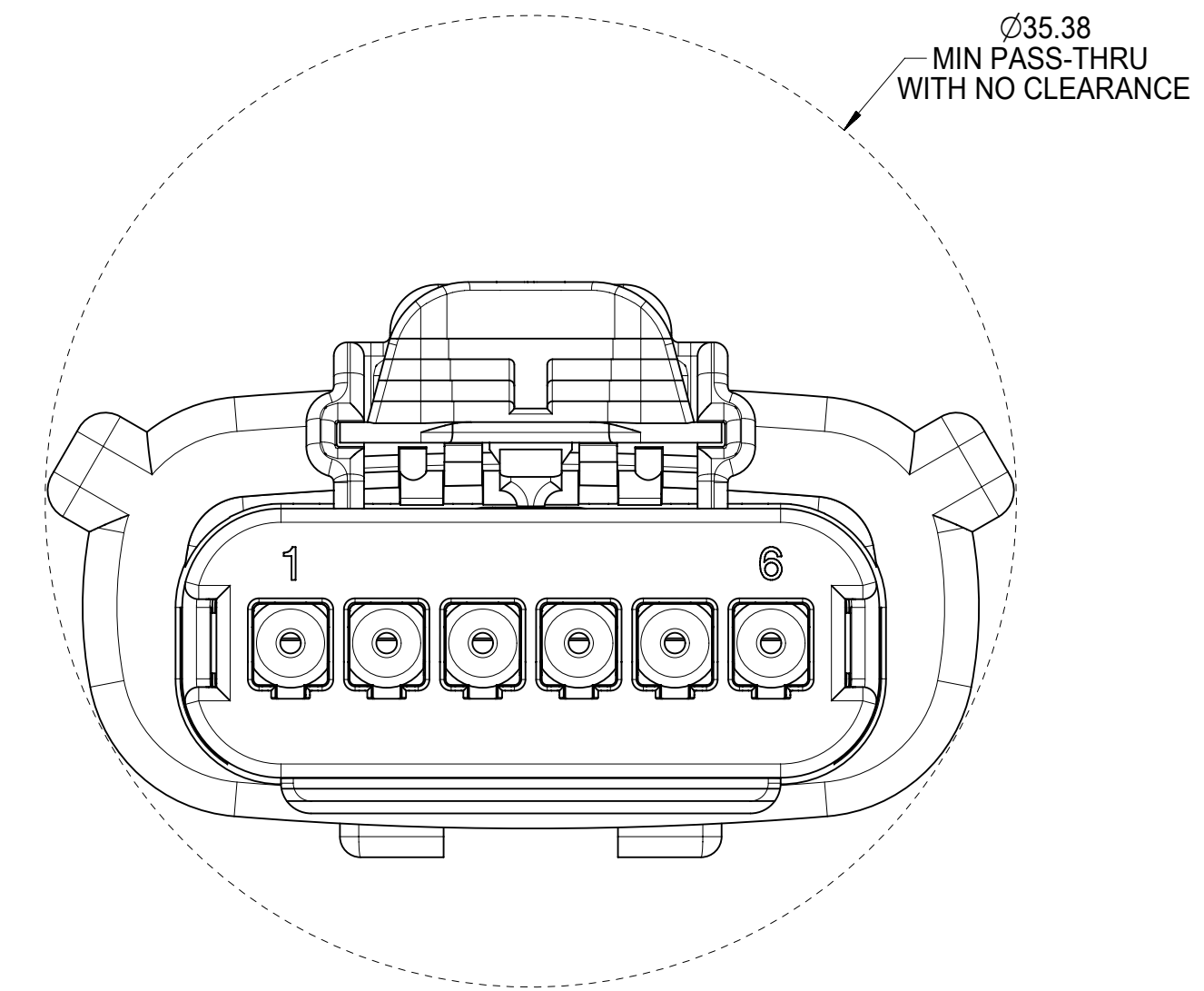
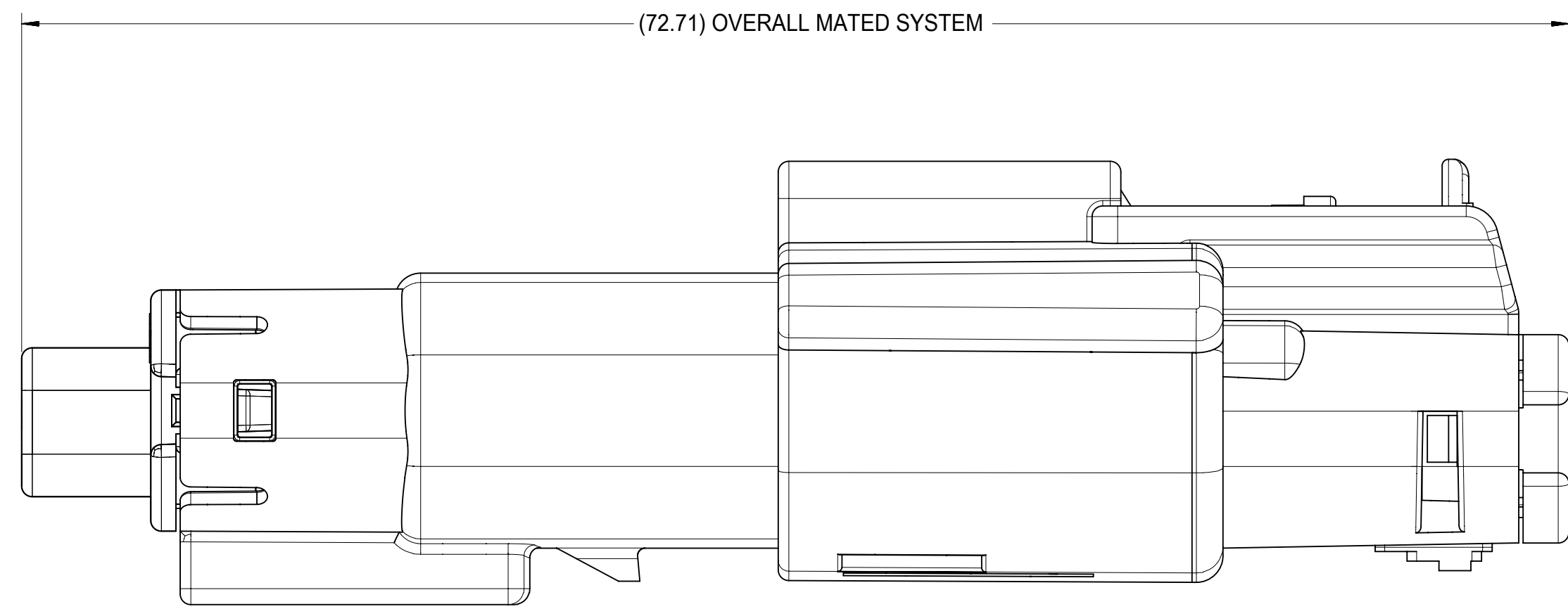


PRIMARY LOCK REINFORCEMENT (PLR) SHOWN IN FINAL-LOCK POSITION

SECTION Y-Y

THIS DRAWING CONTAINS INFORMATION THAT IS PROPRIETARY TO MOLEX ELECTRONIC TECHNOLOGIES, LLC AND SHOULD NOT BE USED WITHOUT WRITTEN PERMISSION									
DIMENSION UNITS		SCALE		CURRENT REV DESC: SEE REVISION TABLE					
mm		4:1							
GENERAL TOLERANCES (UNLESS SPECIFIED)									
ANGULAR TOL ± 3.0°									
4 PLACES ±		EC NO: 654141		2021/01/29					
3 PLACES ±		DRWN: SCV		2021/02/03					
2 PLACES ± 0.1		CHK'D: GGA		2021/02/03					
1 PLACE ± 0.3		APPR: GGA							
0 PLACES ±		INITIAL REVISION:		2005/08/26					
		DRWN: DGRIFITHS		2005/08/29					
		APPR: smarceau							
DRAFT WHERE APPLICABLE MUST REMAIN WITHIN DIMENSIONS				THIRD ANGLE PROJECTION		DRAWING		SERIES	
						D-SIZE		33481	
						MATERIAL NUMBER		CUSTOMER	
						SEE BOM		GENERAL MARKET	
						DOCUMENT NUMBER		DOC TYPE   DOC PART   REVISION	
						SD-33481-061		PSD   001   V6	
						SHEET NUMBER		3 OF 5	


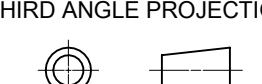
DOCUMENT STATUS	P1	RELEASE DATE	2021/02/03	08:29:05
-----------------	----	--------------	------------	----------



THIS DRAWING CONTAINS INFORMATION THAT IS PROPRIETARY TO MOLEX ELECTRONIC TECHNOLOGIES, LLC AND SHOULD NOT BE USED WITHOUT WRITTEN PERMISSION											
DIMENSION UNITS		SCALE		CURRENT REV DESC: SEE REVISION TABLE						<b>molex</b>	
mm		4:1									
GENERAL TOLERANCES (UNLESS SPECIFIED)				EC NO: 654141							
ANGULAR TOL ± 3.0°				4 PLACES ±		DRWN: SCV		2021/01/29		MX150 1X6 BLADE SEALED ASSEMBLY MAT SEAL	
				3 PLACES ±		CHK'D: GGA		2021/02/03			
				2 PLACES ± 0.1		APPR: GGA		2021/02/03		PRODUCT CUSTOMER DRAWING	
				1 PLACE ± 0.3		INITIAL REVISION:				DOCUMENT NUMBER	
				0 PLACES ±		DRWN: DGRIFITHS		2005/08/26		SD-33481-061	
						APPR: smarceau		2005/08/29		PSD 001 V6	
DRAFT WHERE APPLICABLE MUST REMAIN WITHIN DIMENSIONS				THIRD ANGLE PROJECTION		DRAWING		SERIES		MATERIAL NUMBER	
				D-SIZE		33481		SEE BOM		CUSTOMER	
						GENERAL MARKET				SHEET NUMBER	
										4 OF 5	

ASSEMBLY PART NUMBER	COLOR	KEYING OPTION	CAVITY TYPE & STATUS (X = PLUGGED)						STATUS	COMMENTS
			1	2	3	4	5	6		
33481-0601	BLACK	A							NOT RECOMMENDED	
33481-0602	LT.GRAY	B							NOT RECOMMENDED	
33481-0603	BROWN	C							NOT RECOMMENDED	NOT RECOMMENDED, SEE P/N 33481-0618
33481-0604	GREEN	D							NOT RECOMMENDED	NOT RECOMMENDED, SEE P/N 33481-0619
33481-0605	YELLOW	A							NOT RECOMMENDED	
33481-0606	BLACK	A						X	NOT RECOMMENDED	
33481-0607	LT.GRAY	B						X	NOT RECOMMENDED	
33481-0608	BROWN	C						X	NOT RECOMMENDED	
33481-0609	GREEN	D						X	NOT RECOMMENDED	
33481-0610	YELLOW	A						X	NOT RECOMMENDED	
33481-0611	BLACK	A	X					X	NOT RECOMMENDED	
33481-0612	LT.GRAY	B	X					X	NOT RECOMMENDED	
33481-0613	BROWN	C	X					X	NOT RECOMMENDED	
33481-0614	GREEN	D	X					X	NOT RECOMMENDED	
33481-0615	YELLOW	A	X					X	NOT RECOMMENDED	
33481-0616	BLACK	A	X	X	X	X	X	X	NOT RECOMMENDED	
33481-0617	BLACK	A						X	NOT RECOMMENDED	
33481-0618	DK.GRAY	C							NOT RECOMMENDED	
33481-0619	ST.GRAY	D							NOT RECOMMENDED	
33481-0620	BLACK	A			X				NOT RECOMMENDED	
33481-0621	ST.GRAY	D	X	X	X	X	X	X	NOT RECOMMENDED	
33481-0622	ST.GRAY	D	X					X	NOT RECOMMENDED	
33481-0623	BLACK	A	X		X			X	NOT RECOMMENDED	
33481-0624	BLACK	A						X	NOT RECOMMENDED	

ASSEMBLY PART NUMBER	COLOR	KEYING OPTION	CAVITY TYPE & STATUS (X = PLUGGED)						STATUS	COMMENTS
			1	2	3	4	5	6		
33481-6601	BLACK	A							SALEABLE	
33481-6602	LT.GRAY	B							SALEABLE	
33481-6603	BROWN	C							NOT RECOMMENDED	NOT RECOMMENDED, SEE P/N 33481-6618
33481-6604	GREEN	D							NOT RECOMMENDED	NOT RECOMMENDED, SEE P/N 33481-6619
33481-6605	YELLOW	A							SALEABLE	
33481-6606	BLACK	A						X	SALEABLE	
33481-6607	LT.GRAY	B						X	SALEABLE	
33481-6608	BROWN	C						X	NOT RECOMMENDED	
33481-6609	GREEN	D						X	NOT RECOMMENDED	
33481-6610	YELLOW	A						X	SALEABLE	
33481-6611	BLACK	A	X					X	SALEABLE	
33481-6612	LT.GRAY	B	X					X	SALEABLE	
33481-6613	BROWN	C	X					X	NOT RECOMMENDED	
33481-6614	GREEN	D	X					X	NOT RECOMMENDED	
33481-6615	YELLOW	A	X					X	SALEABLE	
33481-6616	BLACK	A	X	X	X	X	X	X	SALEABLE	
33481-6617	BLACK	A						X	SALEABLE	
33481-6618	DK.GRAY	C							SALEABLE	
33481-6619	ST.GRAY	D							SALEABLE	
33481-6620	BLACK	A			X				SALEABLE	
33481-6621	ST.GRAY	D	X	X	X	X	X	X	SALEABLE	
33481-6622	ST.GRAY	D	X					X	SALEABLE	
33481-6623	BLACK	A	X		X			X	SALEABLE	
33481-6624	BLACK	A						X	SALEABLE	
V6 33481-6625	BLACK	A		X	X	X	X		SALEABLE	
V6 33481-6626	BLACK	A				X	X		SALEABLE	

THIS DRAWING CONTAINS INFORMATION THAT IS PROPRIETARY TO MOLEX ELECTRONIC TECHNOLOGIES, LLC AND SHOULD NOT BE USED WITHOUT WRITTEN PERMISSION									
DIMENSION UNITS	SCALE	CURRENT REV DESC: SEE REVISION TABLE							
mm	1:1	 <p>MX150 1X6 BLADE SEALED ASSEMBLY MAT SEAL</p> <p>PRODUCT CUSTOMER DRAWING</p>							
GENERAL TOLERANCES (UNLESS SPECIFIED)									
ANGULAR TOL	± 3.0°								
4 PLACES	±								
3 PLACES	±								
2 PLACES	± 0.1	EC NO: 654141	2021/01/29		DRWN: SCV CHK'D: GGA APPR: GGA				
1 PLACE	± 0.3	INITIAL REVISION:							
0 PLACES	±	DRWN: DGRIFITHS	2005/08/26						
DRAFT WHERE APPLICABLE MUST REMAIN WITHIN DIMENSIONS		APPR: smarceau	2005/08/29						
THIRD ANGLE PROJECTION		DRAWING	SERIES	MATERIAL NUMBER	CUSTOMER	DOCUMENT NUMBER	DOC TYPE	DOC PART	REVISION
		D-SIZE	33481	SEE BOM	GENERAL MARKET	SD-33481-061	PSD	001	V6
									SHEET NUMBER
									5 OF 5