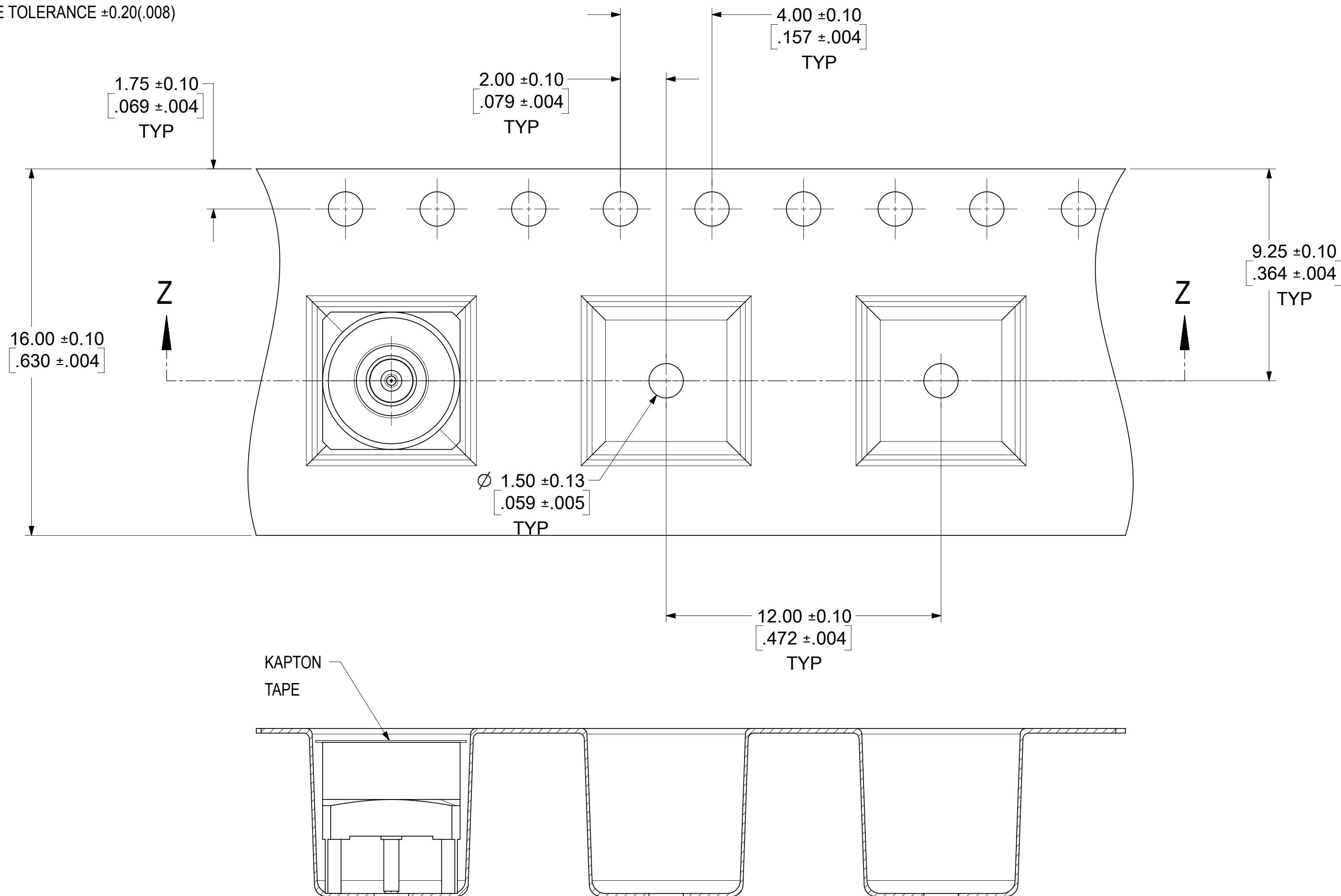


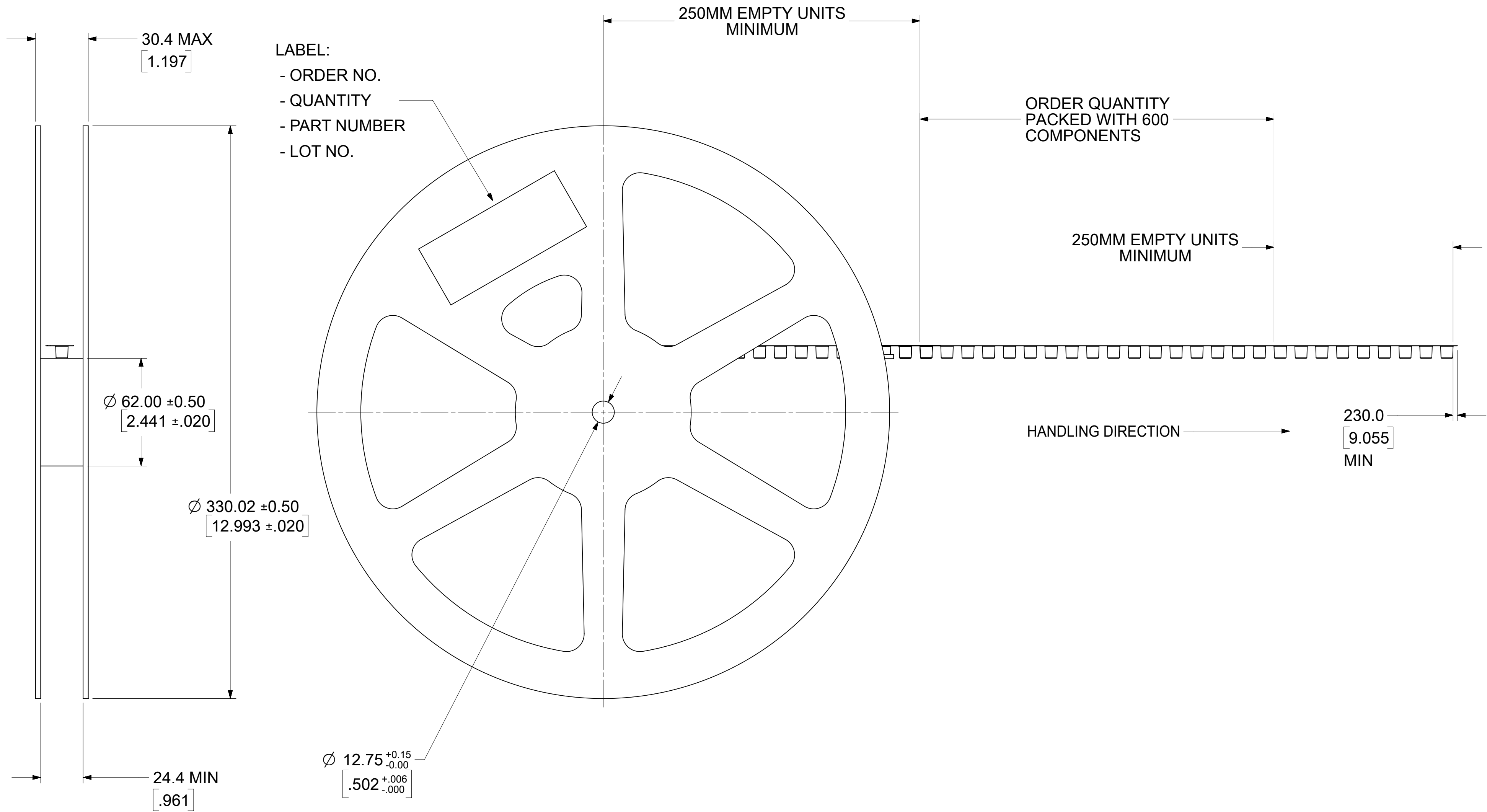
NOTE:
1. 10 PITCHES CUMULATIVE TOLERANCE ±0.20(.008)



SECTION Z-Z

| | | | | | | | |
|--|--|---|--|--------------------------------------|--|---|--|
| FUNCTIONAL SYMBOLS | | THIS DRAWING CONTAINS INFORMATION THAT IS PROPRIETARY TO MOLEX ELECTRONIC TECHNOLOGIES, LLC AND SHOULD NOT BE USED WITHOUT WRITTEN PERMISSION | | CURRENT REV DESC: | | | |
| DIMENSION UNITS | | SCALE | | EWR # 15321-E ADDED -6031 PART NO | | | |
| MM/INCH | | NTS | | EC NO: 718007 | | SMP PLUG, STRAIGHT WITH LIMITED DETENTS, PCB EWR-2972, SMP-P/PCB | |
| GENERAL TOLERANCES (UNLESS SPECIFIED) | | ANGULAR TOL ± 2.0° | | DRWN: JSU18 2022/08/11 | | PRODUCT CUSTOMER DRAWING | |
| 4 PLACES ± | | 3 PLACES ± | | CHK'D: YCHENG 2022/08/24 | | DOCUMENT NUMBER | |
| 2 PLACES ± 0.25 | | 1 PLACE ± | | APPR: YCHENG 2022/08/24 | | SD-73415-603 | |
| 0 PLACES ± | | INITIAL REVISION: | | DRWN: TFLAHERTY 2006/08/28 | | DOC TYPE | |
| DRAFT WHERE APPLICABLE MUST REMAIN WITHIN DIMENSIONS | | THIRD ANGLE PROJECTION | | APPR: JWIENER 2006/08/28 | | DOC PART | |
| DRAFT WHERE APPLICABLE MUST REMAIN WITHIN DIMENSIONS | | DRAWING | | SERIES | | REVISION | |
| DRAFT WHERE APPLICABLE MUST REMAIN WITHIN DIMENSIONS | | C-SIZE | | 73415 | | A2 | |
| DRAFT WHERE APPLICABLE MUST REMAIN WITHIN DIMENSIONS | | MATERIAL NUMBER | | CUSTOMER | | SHEET NUMBER | |
| DRAFT WHERE APPLICABLE MUST REMAIN WITHIN DIMENSIONS | | GENERAL MARKET | | GENERAL MARKET | | 2 OF 3 | |

| | | | |
|-----------------|----|--------------|---------------------|
| DOCUMENT STATUS | P1 | RELEASE DATE | 2022/08/24 02:18:10 |
|-----------------|----|--------------|---------------------|



| | | | | | | | | | |
|---|---------------------------------------|-------|--------------------------------------|---------|--------|-----------------|--|--------------|--|
| THIS DRAWING CONTAINS INFORMATION THAT IS PROPRIETARY TO MOLEX ELECTRONIC TECHNOLOGIES, LLC AND SHOULD NOT BE USED WITHOUT WRITTEN PERMISSION | | | | | | | | | |
| FUNCTIONAL SYMBOLS | DIMENSION UNITS | SCALE | CURRENT REV DESC: | | | | molex | | |
| $\frac{F}{A} = 0$ | MM/INCH | NTS | EWR # 15321-E ADDED -6031 PART NO | | | | | | |
| $\frac{F}{C} = 0$ | GENERAL TOLERANCES (UNLESS SPECIFIED) | | EC NO: 718007 | | | | SMP PLUG, STRAIGHT WITH LIMITED DETENTS, PCB EWR-2972, SMP-P/PCB | | |
| $\frac{F}{P} = 0$ | ANGULAR TOL ± 2.0° | | DRWN: JSU18 2022/08/11 | | | | PRODUCT CUSTOMER DRAWING | | |
| DIVISIONAL SYMBOLS | 4 PLACES ± | | CHK'D: YCHENG 2022/08/24 | | | | DOCUMENT NUMBER | | |
| | 3 PLACES ± | | APPR: YCHENG 2022/08/24 | | | | SD-73415-603 | | |
| | 2 PLACES ± 0.25 | | INITIAL REVISION: | | | | DOC TYPE DOC PART REVISION | | |
| | 1 PLACE ± | | DRWN: TFLAHERTY 2006/08/28 | | | | PSD 001 A2 | | |
| | 0 PLACES ± | | APPR: JWIENER 2006/08/28 | | | | SHEET NUMBER | | |
| DRAFT WHERE APPLICABLE MUST REMAIN WITHIN DIMENSIONS | | | THIRD ANGLE PROJECTION | DRAWING | SERIES | MATERIAL NUMBER | CUSTOMER | SHEET NUMBER | |
| | | | | C-SIZE | 73415 | | GENERAL MARKET | 3 OF 3 | |