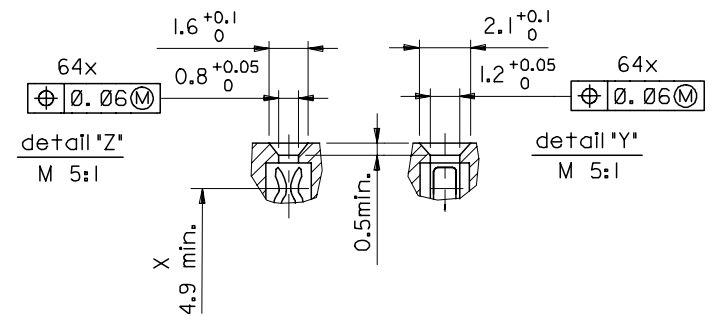
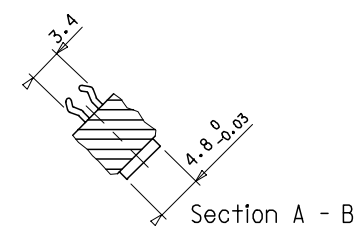
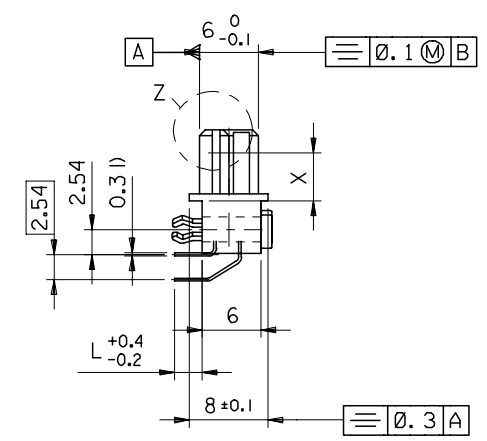


l) tails to fit in PC-board layout



FIRST ANGLE PROJECTION

REVISE ONLY ON CAD SYSTEM

12006-0451	REVISIONS FOR PREVIOUS REVISIONS SEE ARI LIST
2006/02/02	
B2	LTR

UNLESS OTHERWISE SPECIFIED TOLERANCES: ANGULAR $\pm 2^\circ$	
3 PLACE $\pm$	$\pm$
2 PLACE $\pm$	$\pm$
1 PLACE $\pm$	$\pm$
DRAFT WHERE APPLICABLE MUST REMAIN WITHIN DIMENSIONS	
DESIGN DIMENSION	<input checked="" type="checkbox"/> MM
EQUIVALENT DIMENSION	<input type="checkbox"/> MM
	<input type="checkbox"/> IN.
IF TWO DIMENSIONS ARE SHOWN THE UPPER IS THE DESIGN DIMENSION, LOWER IS SECONDARY	

DRWG BY	KN	SIGN	
CHK'D BY	Ca	SIGN	
APP'D BY	JB	SIGN	
SCALE	2:1		

CADCAM PROJECT NAME	85050000	THIS DRAWING CONTAINS INFORMATION THAT IS PROPRIETARY TO MOLEX INC. & SHOULD NOT BE USED WITHOUT WRITTEN PERMISSION	SH.	REV.
TITLE	64 pos. female connector DIN 41612 style Q + clip Dimensions			
MOLEX MOLEX EUROPE		SHEET NO.	DATE	
PART NO.		DWG NO.	SIZE	
SEE CHART		SDA-85050-0001	B	