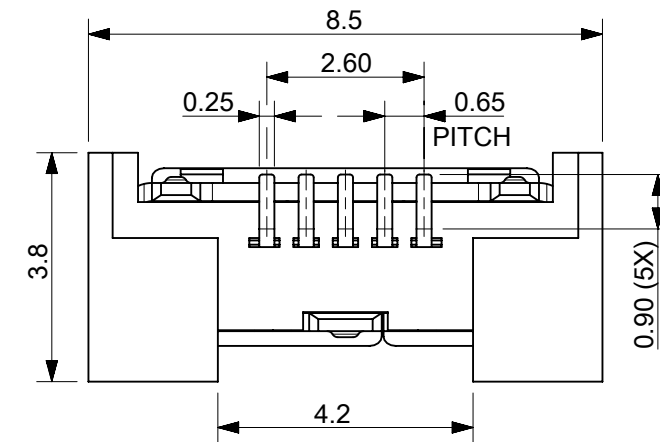
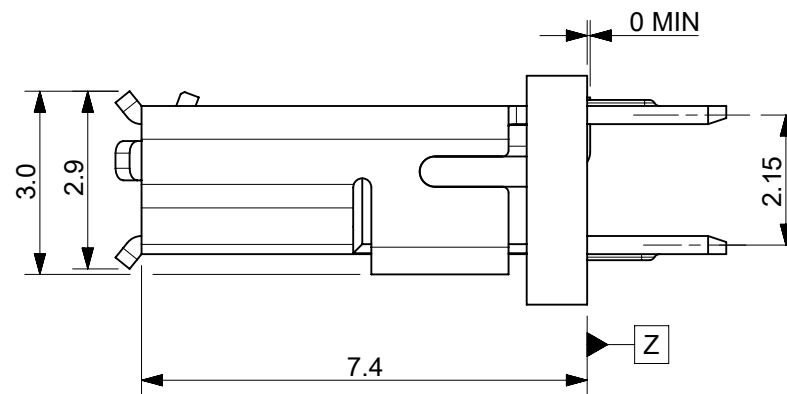
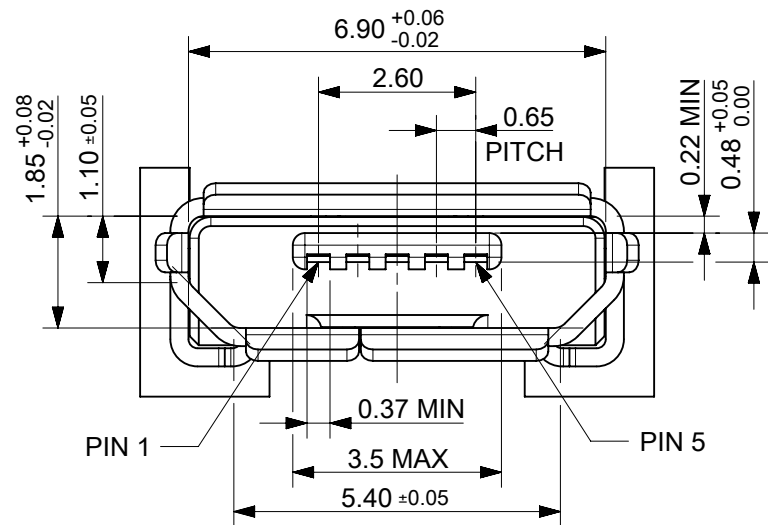


RECOMMENDED PCB LAYOUT (THICKNESS: 1.6mm)
GENERAL TOLERANCE: ±0.05

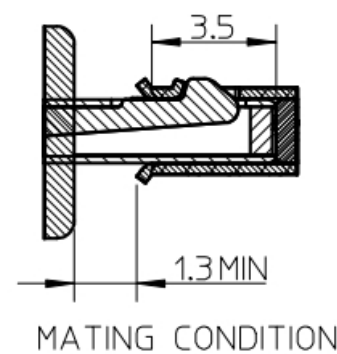


PIN	NAME
5	GND
4	ID
3	D+
2	D-
1	VBUS

PART NUMBER 105133-0021

NOTES:

- MATERIAL:
HOUSING & COVER: HIGH TEMPERATURE THERMOPLASTIC, BLACK, UL94V-0;
TERMINAL: COPPER ALLOY, THICKNESS: 0.15mm;
SHELL: STAINLESS STEEL, THICKNESS: 0.30mm.
- PLATING:
TERMINAL: CONTACT AREA: MINIMUM 0.75 MICRON GOLD;
SOLDER TAIL AREA: GOLD FLASH;
UNDER PLATING: NICKEL 2.0 MICRON MINIMUM.
SHELL: 1.27 MICRON MINIMUM SOLDERABLE NICKEL PLATING OVER ALL.
- TAIL COPLANARITY 0.08mm MAXIMUM.
- PRODUCT SPECIFICATION: PS-47642-001.
- PACKAGE SPECIFICATION: PK-105133-002.



THIS DRAWING CONTAINS INFORMATION THAT IS PROPRIETARY TO MOLEX ELECTRONIC TECHNOLOGIES, LLC AND SHOULD NOT BE USED WITHOUT WRITTEN PERMISSION									
DIMENSION UNITS	SCALE	CURRENT REV DESC:			molex				
mm	NTS				SALES DRAWING FOR USB MICRO-B, VERTICAL TYPE				
GENERAL TOLERANCES (UNLESS SPECIFIED)					PRODUCT CUSTOMER DRAWING				
ANGULAR TOL	± 3.0°				DOCUMENT NUMBER				
4 PLACES	±	EC NO: 678130			SD-105133-021				
3 PLACES	±	DRWN: XQZHANG 2021/10/28			DOC TYPE DOC PART REVISION				
2 PLACES	± 0.2	CHKD: AYIN 2022/06/08			PSD 001 C				
1 PLACE	± 0.25	APPR: AYIN 2022/06/08							
0 PLACES	±	INITIAL REVISION:							
DRAFT WHERE APPLICABLE MUST REMAIN WITHIN DIMENSIONS		DRWN: XQZHANG 2013/04/03							
THIRD ANGLE PROJECTION		APPR: XQZHANG 2013/09/06							
DRAWING		SERIES			MATERIAL NUMBER CUSTOMER SHEET NUMBER				
B-SIZE		105133			SEE TABLE GENERAL MARKET 1 OF 1				