

NOTES:

RATED VOLTAGE: 3, 4, 5 contacts 250V / 300V
 RATED CURRENT: 3, 4, 5 contacts 4A
 PROTECTION CLASS: IP 68
 TEMPERATURE: -30°C / +80°C

CONTACTS POSITION FRONT VIEW:

| | 3 CONTACTS | | 4 CONTACTS | | 5 CONTACTS | | 8 CONTACTS | |
|-------------|------------|-------|------------|-------|------------|---------|------------|--------|
| FEMALE | | | | | | | | |
| MALE | | | | | | | | |
| CONNECTIONS | PIN | WIRE | PIN | WIRE | PIN | WIRE | PIN | WIRE |
| | 1 | BROWN | 1 | BROWN | 1 | BROWN | 1 | WHITE |
| | 2 | --- | 2 | WHITE | 2 | WHITE | 2 | BROWN |
| | 3 | BLUE | 3 | BLUE | 3 | BLUE | 3 | GREEN |
| | 4 | BLACK | 4 | BLACK | 4 | BLACK | 4 | YELLOW |
| | | | 5 | --- | 5 | GREY OR | 5 | GREY |
| | | | | | | | 6 | PINK |
| | | | | | | | 7 | BLUE |
| | | | | | | | 8 | RED |

FOR OPTIONS SEE - NUMERICAL CODE - ON SHEET 2

| ITEM | QTY. | DESCRIPTION | MATERIAL | FINISH |
|------|-----------|-----------------------|-------------|----------------------|
| 7 | 1 | LABEL YELLOW | VINYL | --- |
| 6 | 3 / 4 / 5 | CONTACT MALE | COPPER | SELECTIVE Au OVER Ni |
| 5 | 1 | PLUG U12 MA XP AC STR | - | --- |
| 4 | - | CABLE | SEE SHEET 2 | --- |
| 3 | - | OVERMOULDING BLACK | TPU | --- |
| 2 | 1 | PLUG U12 FE XP AC STR | - | --- |
| 1 | 3 / 4 / 5 | CONTACT FEMALE | BRONZE | SELECTIVE Au OVER Ni |

| | | | | | | | |
|--|---|---|--|--|-----------------|----------------|------------|
| FUNCTIONAL SYMBOLS | THIS DRAWING CONTAINS INFORMATION THAT IS PROPRIETARY TO MOLEX ELECTRONIC TECHNOLOGIES, LLC AND SHOULD NOT BE USED WITHOUT WRITTEN PERMISSION | CURRENT REV DESC: | | | | | |
| | $\nabla_A = 0$ $\nabla_E = 0$ $\nabla_V = 0$ | DIMENSION UNITS: mm SCALE: 2:1 | GENERAL TOLERANCES (UNLESS SPECIFIED) ANGULAR TOL $\pm 1.0^\circ$ | | | | |
| DIVISIONAL SYMBOLS | 4 PLACES \pm | EC NO: 698441 | 2021/12/22 | U12 U12 XP FE RA MA STR XM PRODUCT CUSTOMER DRAWING | | | |
| | 3 PLACES \pm | DRWN: SSM | 2022/03/08 | | | | |
| | 2 PLACES ± 0.05 | CHK'D: RSILLER | 2022/03/08 | | | | |
| | 1 PLACE ± 0.3 | APPR: RSILLER | 2022/03/08 | | | | |
| 0 PLACES ± 0.5 | INITIAL REVISION: | DRWN: AKONDRACIUK | 2016/12/20 | DOCUMENT NUMBER | DOC TYPE | | |
| DRAFT WHERE APPLICABLE MUST REMAIN WITHIN DIMENSIONS | | THIRD ANGLE PROJECTION | DRAWING | SERIES | MATERIAL NUMBER | CUSTOMER | REVISION |
| | | | A3-SIZE | 120080 | 1200808027 | GENERAL MARKET | PSD 000 A1 |
| | | | | | SEE PART LIST | | 1 OF 2 |

ENGINEERING NO. - NUMERICAL CODE (Available parts see PART LIST table. Other parts available upon request).

OPTIONS

WWXX031XXXXXX

WW=U12x1
Double ended

Contacts:
3=3 Contacts
4=4 Contacts
5=5 Contacts
8=8 Contacts

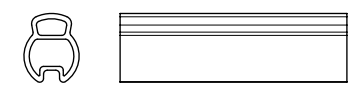
Heads style:
031=Plug Female 90°
to Plug Male Straight

Cable type: See Table

Units:
M=Meter
C=Centimeter

Length
Examples:
005=0.5 unit
010=1 unit
100=10 units

Overmold color:
Blank (Standard)=Black TPU
A=Grey / G=Black / Y=Yellow
H= 2 pcs. of I/D Carrier PVC Transparent



CABLE INFORMATION (for more information see Cable Data Sheet).

| CABLE TYPE | NO. OF WIRES | CROSS SECTION | CABLE JACKET | UL | CSA | STATIC: TEMP. / BENDING RADIUS | DYNAMIC: TEMP. / BENDING RADIUS | DRAG CHAIN | SHIELD |
|------------|---------------|---------------------|----------------|----------------|---------------------------|--------------------------------|---------------------------------|---------------------------------|--------|
| H09 | 3 / 4 / 5 | 0.34mm ² | PUR BLACK LS0H | UL 21198/10493 | C 22.2 I/II A/B 80°C/300V | -40°C to +80°C, 5xO.D. | -25°C to +80°C, 10xO.D. | 2 000 000 cycles, Temp max 60°C | - |
| H08 | 3 / 4 / 5 / 8 | 0.25mm ² | PUR BLACK LS0H | UL 21198/10493 | C 22.2 I/II A/B 80°C/300V | -40°C to +80°C, 5xO.D. | -25°C to +80°C, 10xO.D. | 2 000 000 cycles, Temp max 60°C | - |
| E03 | 3 / 4 / 5 | 0.34mm ² | PVC BLACK | UL 2464/1729 | C 22.2 I/II A/B 80°C/300V | -30°C to +80°C, 10xO.D. | -10°C to +80°C, 15xO.D. | - | - |
| P03 | 3 / 4 / 5 | 0.34mm ² | PUR/PVC BLACK | - | - | -30°C to +80°C, 7xO.D. | -5°C to +80°C, 15xO.D. | - | - |
| P02 | 3 / 4 / 5 / 8 | 0.25mm ² | PUR/PVC BLACK | - | - | -30°C to +80°C, 7xO.D. | -5°C to +80°C, 15xO.D. | - | - |

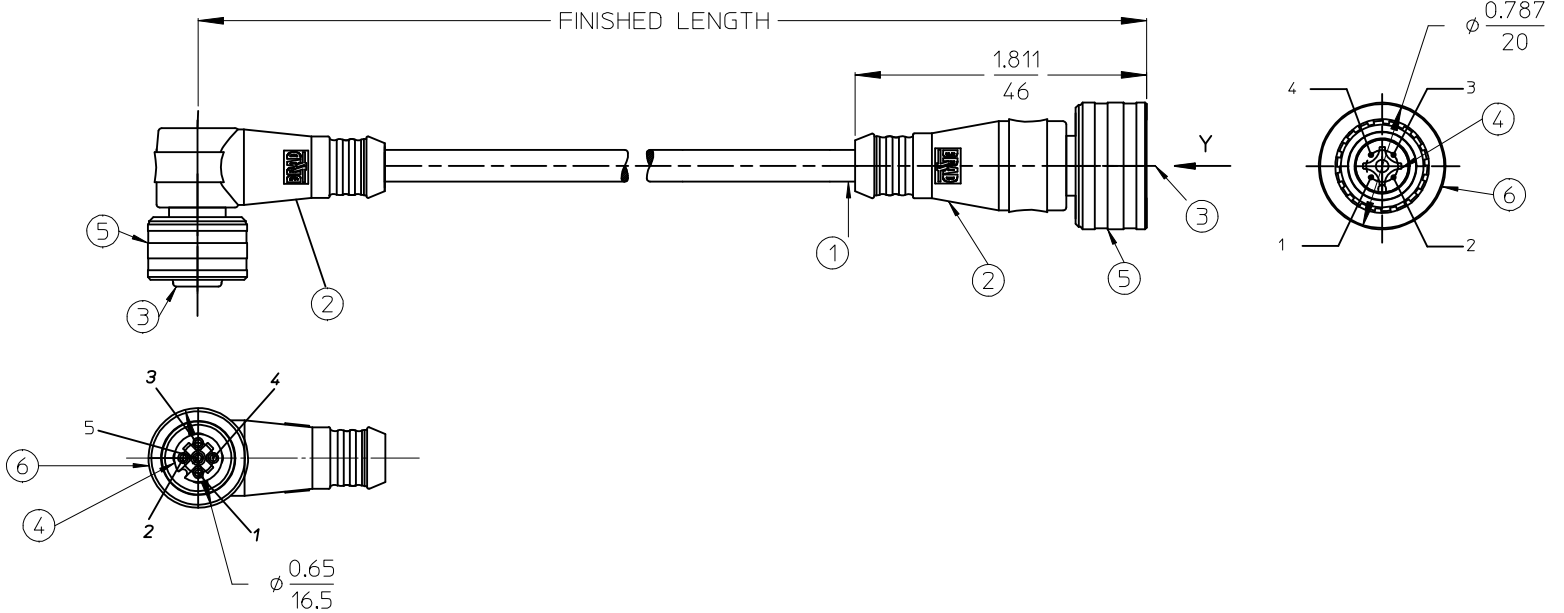
PART LIST

| MOLEX PN | ENGINEERING No | L [mm] |
|------------|----------------|--------|
| 1200808030 | WW3031H09M010 | 1000 |
| 1200808027 | WW4031H09M010 | 1000 |
| 1200808153 | WW4031E03M010 | 1000 |
| 1200805078 | WW5031P03M010 | 1000 |
| 1200808028 | WW5031H09M010 | 1000 |
| 1200808056 | WW5031P03M015 | 1500 |
| 1200808057 | WW5031P03M020 | 2000 |
| 1200808058 | WW5031P03M040 | 4000 |
| 1200808059 | WW5031P03M045 | 4500 |
| 1200808060 | WW5031P03M050 | 5000 |
| 1200808061 | WW5031P03M100 | 10000 |
| 1200808074 | WW5031P03M020A | 2000 |
| 1200808075 | WW5031P03M050A | 5000 |
| 1200805084 | WW8031P02M010 | 1000 |
| 1200808034 | WW8031H08M010 | 1000 |

CABLE LENGTH TOLERANCES

| OVER | UP TO AND INCLUDING | TOLERANCES |
|---------|---------------------|------------------------|
| 0 | 305mm | +19mm |
| 305mm | 915mm | +45mm |
| 915mm | 1830mm | +56mm |
| 1830mm | 3660mm | +89mm |
| 3660mm | 7320mm | +165mm |
| 7320mm | 14640mm | +317mm |
| 14640mm | 30500mm | +610mm |
| 30500mm | > | +2% of finished length |

| | |
|--|--|
| FUNCTIONAL SYMBOLS | THIS DRAWING CONTAINS INFORMATION THAT IS PROPRIETARY TO MOLEX ELECTRONIC TECHNOLOGIES, LLC AND SHOULD NOT BE USED WITHOUT WRITTEN PERMISSION |
| $\nabla_A = 0$ $\nabla_B = 0$ $\nabla_C = 0$ | DIMENSION UNITS: mm SCALE: 1:1 GENERAL TOLERANCES (UNLESS SPECIFIED) ANGULAR TOL ± 1.0° 4 PLACES ± 3 PLACES ± 2 PLACES ± 0.05 1 PLACE ± 0.3 0 PLACES ± 0.5 DRAFT WHERE APPLICABLE MUST REMAIN WITHIN DIMENSIONS |
| DIVISIONAL SYMBOLS | CURRENT REV DESC: EC NO: 698441 DRWN: SSM CHK'D: RSILLER APPR: RSILLER INITIAL REVISION: DRWN: AKONDRACIUK APPR: MIWASIECZKO |
| | 2021/12/22 2022/03/08 2022/03/08 2016/12/20 2017/03/28 |
| | molex U12 U12 XP FE RA MA STR XM PRODUCT CUSTOMER DRAWING |
| | DOCUMENT NUMBER: 1200808027 DOC TYPE: PSD DOC PART: 000 REVISION: A1 |
| | THIRD ANGLE PROJECTION DRAWING: A3-SIZE SERIES: 120080 MATERIAL NUMBER: SEE PART LIST CUSTOMER: GENERAL MARKET SHEET NUMBER: 2 OF 2 |



| POL | MATERIAL NUMBER | ENGINEERING NUMBER | FINISHED LENGTH |
|-----|-----------------|--------------------|--------------------------------|
| 3 | 1200805061 | WW3031P03M010 | 3.28' +2.19 -0 [1.0M +55.6 -0] |
| 4 | 1200805067 | WW4031P03M010 | 3.28' +2.19 -0 [1.0M +55.6 -0] |
| 5 | 1200805078 | WW5031P03M010 | 3.28' +2.19 -0 [1.0M +55.6 -0] |

| | |
|-----------------------|------------------|
| VOLTAGE RATING | 300V |
| AMPERAGE RATING | 4A |
| PROTECTION | IP 67/68/69 |
| OPERATING TEMPERATURE | -25°C / +80 °C |
| UL CERTIFICATION | FILE NO. E152210 |
| CAS CERTIFICATION | FILE NO. LR6837 |

| ITEM | COMPONENT | MATERIAL | FINISH |
|------|-----------|--------------|---------------|
| 6 | O-RING | VITON | GREEN |
| 5 | SHELL | BRASS | NICKEL PLATED |
| 4 | CONTACT | COPPER ALLOY | Au over Ni |
| 3 | INSERT | PUR | BLACK |
| 2 | OVERMOLD | PUR | BLACK |
| 1 | CABLE #22 | PUR/PVC | BLACK |

ENTER DESCRIPTION
 EC NO: IPG2015-0241
 DRW:WBRAUCH 2014/08/06
 CHKD:
 APPR:CBURGER 2014/08/08
 REV 2

| | |
|-----------------|--|
| QUALITY SYMBOLS | GENERAL TOLERANCES (UNLESS SPECIFIED) |
| ▽=0 | mm INCH |
| ∇=0 | 4 PLACES ± --- ± --- |
| | 3 PLACES ± --- ± --- |
| | 2 PLACES ± --- ± 0.1 |
| | 1 PLACE ± 0.3 ± --- |
| | 0 PLACE ± --- ± --- |
| | ANGULAR ± --- ° |
| | DRAFT WHERE APPLICABLE MUST REMAIN WITHIN DIMENSIONS |

| | |
|-----------------|------------|
| DIMENSION STYLE | |
| MM ONLY | |
| DRAWN BY | DATE |
| APOHL_WEU | 2010/02/15 |
| CHECKED BY | DATE |
| REISSNER | 2010/02/16 |
| APPROVED BY | DATE |
| FPACHER | 2010/02/23 |
| MATERIAL NO. | |
| SEE TABLE | |
| SIZE | A3 |

| | | |
|---|--------------|------------------------|
| SCALE | DESIGN UNITS | THIRD ANGLE PROJECTION |
| 1:1 | METRIC | |
| TITLE | | |
| CSE U12 XP AC FE RA PUR XP M STR XM | | |
| DOCUMENT NO. | | SHEET NO. |
| SD-120080-045 | | 1 OF 1 |
| THIS DRAWING CONTAINS INFORMATION THAT IS PROPRIETARY TO MOLEX INCORPORATED AND SHOULD NOT BE USED WITHOUT WRITTEN PERMISSION | | |