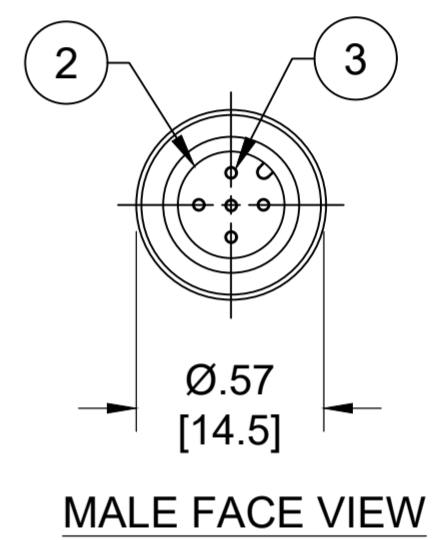
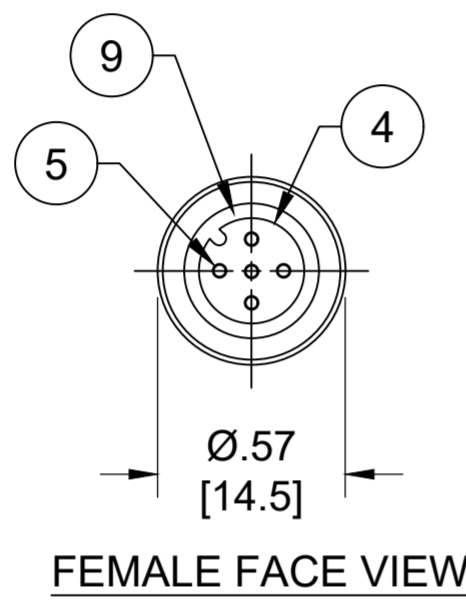
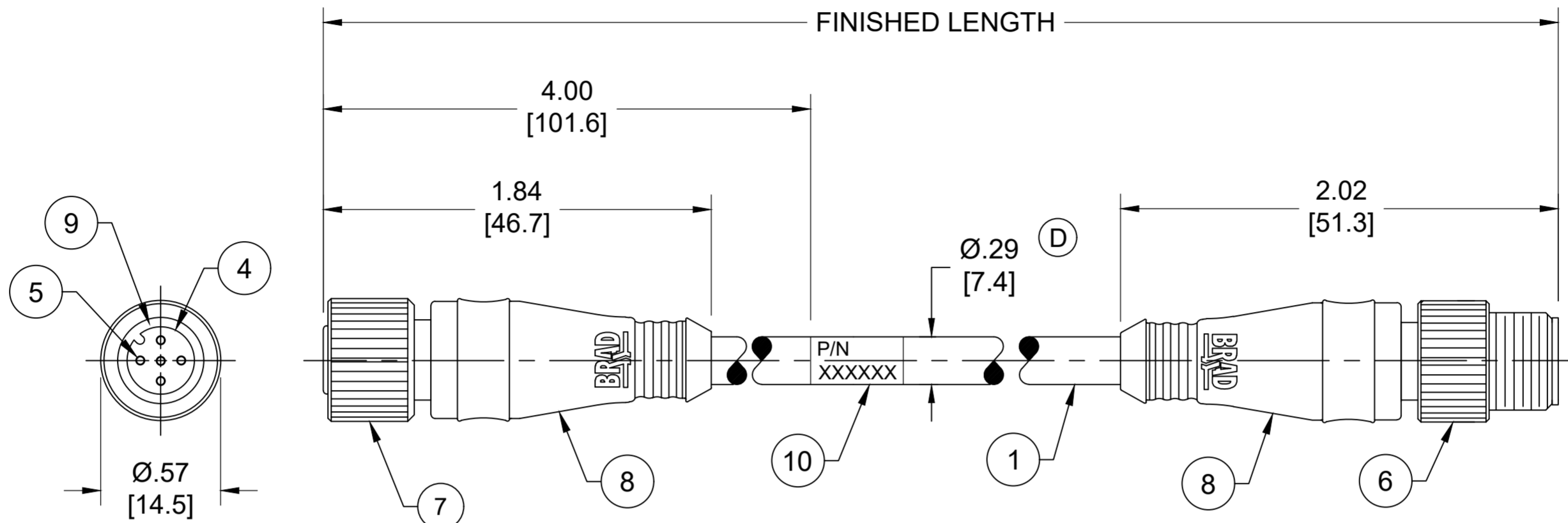
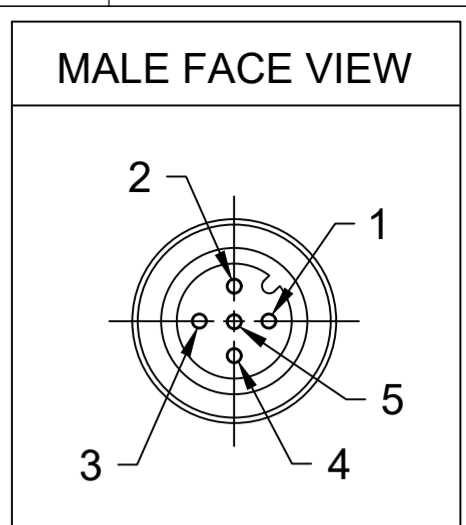


MATERIAL NUMBER	ENGINEERING NUMBER	FINISHED LENGTH
1300280021	DND22A-M002	0.2M [8 IN]
1300280050	DND22A-M200	20M [65FT 7 IN]
1300280055	DND22A-M400	40M [131FT 3 IN]

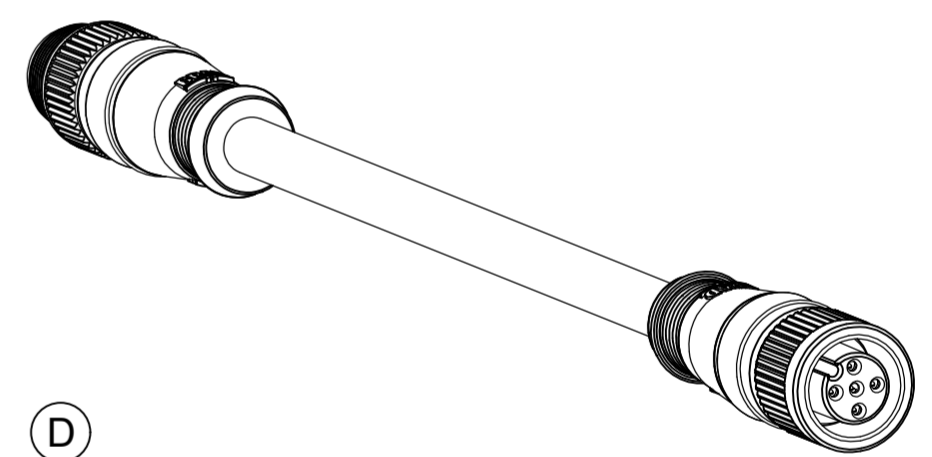


- NOTES:
1. MATERIAL: AS NOTED
  2. FINISH: AS NOTED
  3. ELECTRICAL:  
VOLTAGE : 250V AC/DC (D)  
CURRENT: 4A
  4. TEMP RATING: -20° TO +80°C
  5. PROTECTION: IP67 (WHEN MATED)
  6. COUPLING THREAD: M12X1
  7. UL LISTED FILE: E152210  
CSA CERTIFIED FILE: LR6837
  8. ALL DIMENSIONS ARE FOR REFERENCE  
UNLESS TOLERACED OR NOTED OTHERWISE

### PART NUMBER LEGEND

**DND22A-M005**

FINISHED LENGTH:  
M005= 0.5 METER  
M010= 1 METER  
M100= 10 METER



10	WRAP LABEL	VINYL	BLACK/YELLOW
9	O-RING	NITRILE	RED
8	OVERMOLD	TPC	GRAY
7	FEMALE COUPLING NUT	ZINC DIE CAST	BLACK E-COATED
6	MALE COUPLING NUT	ZINC DIE CAST	BLACK E-COATED
5	CONTACT SOCKET	COPPER ALLOY	GOLD OVER NICKEL
4	FEMALE INSERT	NYLON 6/6	BLACK
3	CONTACT PIN	COPPER ALLOY	GOLD OVER NICKEL
2	MALE INSERT	NYLON 6/6	BLACK
1	CABLE #22 AWG	PVC	GRAY
ITEM	COMPONENT	MATERIAL	FINISH

(D)  
(D)

### SCHEMATIC



(D)

CABLE LENGTH TOLERANCES	
<.3M [1FT]:	+19mm-0 [ +.75in-0]
.3 - .9M [1 - 3FT]:	+44.5mm-0 [+1.75in-0]
.9 - 1.8M [3 - 6FT]:	+55.6mm-0 [+2.19in-0]
1.8 - 3.7M [6 - 12FT]:	+88.9mm-0 [+3.50in-0]
3.7 - 7.3M [12 - 24FT]:	+165.1mm-0 [+6.50in-0]
7.3-14.6M [24 - 48FT]:	+317.5mm-0 [+12.50in-0]
14.6 - 30.5M [48-100FT]:	+622.3mm-0 [+24.50in-0]
OVER 30M [100FT]	+2% OF FINISHED LENGTH

FUNCTIONAL SYMBOLS FA=0 EC=0 EP=0 DIVISIONAL SYMBOLS	THIS DRAWING CONTAINS INFORMATION THAT IS PROPRIETARY TO MOLEX ELECTRONIC TECHNOLOGIES, LLC AND SHOULD NOT BE USED WITHOUT WRITTEN PERMISSION DIMENSION UNITS: INCH/MM SCALE: NTS CURRENT REV DESC: ITEM #8 WAS PVC. VOLTAGE WAS 250V. ADDED O-RING ITEM #9, CABLE DIA & TOL CHART. MODIFIED PN TABLE.	<b>molex</b> MICRO-CHANGE DEVICENET, M12, 5 POLE, MALE - FEMALE, STRAIGHT, SINGLE KEY, #22 AWG																			
	GENERAL TOLERANCES (UNLESS SPECIFIED) <table border="1"> <thead> <tr> <th></th> <th>mm</th> <th>INCH</th> </tr> </thead> <tbody> <tr> <td>4 PLACES</td> <td>±----</td> <td>±----</td> </tr> <tr> <td>3 PLACES</td> <td>±----</td> <td>±----</td> </tr> <tr> <td>2 PLACES</td> <td>±----</td> <td>±----</td> </tr> <tr> <td>1 PLACE</td> <td>±----</td> <td>±----</td> </tr> <tr> <td>0 PLACES</td> <td>±----</td> <td>±----</td> </tr> </tbody> </table>		mm	INCH	4 PLACES	±----	±----	3 PLACES	±----	±----	2 PLACES	±----	±----	1 PLACE	±----	±----	0 PLACES	±----	±----	EC NO: 704134 DRWN: ABENJAMINLW 2021/06/02 CHK'D: RSTONE 2022/04/27 APPR: BWOODMAN 2022/05/04	PRODUCT CUSTOMER DRAWING DOCUMENT NUMBER: SD-130028-001 DOC TYPE/DOC PART/REVISION: PSD 001 E
		mm	INCH																		
	4 PLACES	±----	±----																		
3 PLACES	±----	±----																			
2 PLACES	±----	±----																			
1 PLACE	±----	±----																			
0 PLACES	±----	±----																			
ANGLULAR TOL ± ---- ° DRAFT WHERE APPLICABLE MUST REMAIN WITHIN DIMENSIONS	THIRD ANGLE PROJECTION 	DRAWING: C-SIZE SERIES: 130028	MATERIAL NUMBER: SEE CHART CUSTOMER: GENERAL MARKET SHEET NUMBER: 1 OF 1																		
DOCUMENT STATUS: P1 RELEASE DATE: 2022/05/04 21:13:42	MOLEX ELECTRONIC TECHNOLOGIES, LLC 130028																				