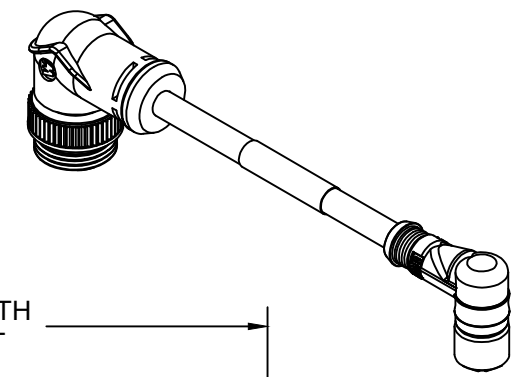


SAP P/N #	ENGINEERING P/N	FINISHED LENGTH
1300390187	DND39A-M005	0.5M [1FT 8 IN]
1300390621	DND39A-M150	15M [49FT 3 IN]
1300390623	DND39A-M300	30M [98FT 5 IN]

PART NUMBER LEGEND

DND39A-M002

LENGTH:
M005= 0.5 METER
M010= 1 METER
M100= 10 METER

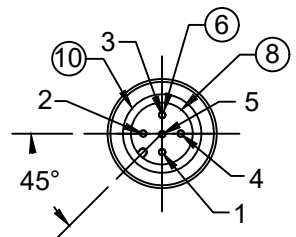
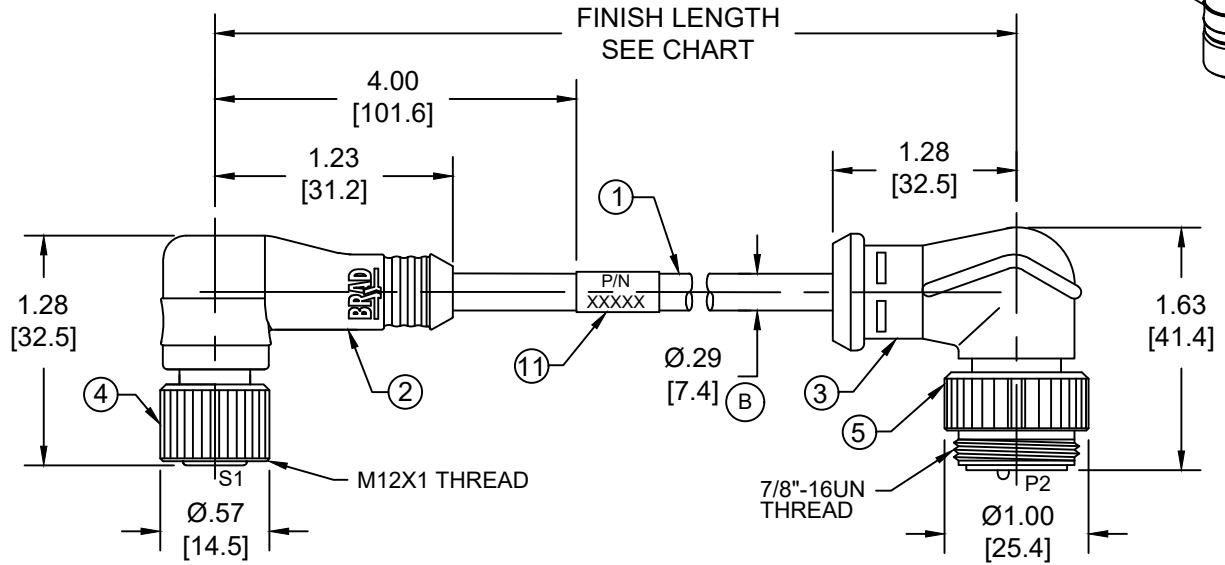


CABLE LENGTH TOLERANCES

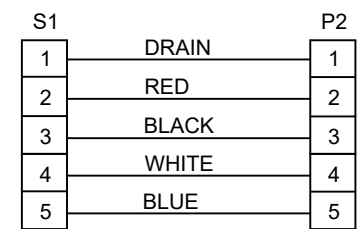
<.3M [1FT]:	+19mm-0 [+ .75in-0]
.3 - .9M [1 - 3FT]:	+44.5mm-0 [+1.75in-0]
.9 - 1.8M [3 - 6FT]:	+55.6mm-0 [+2.19in-0]
1.8 - 3.7M [6 - 12FT]:	+88.9mm-0 [+3.50in-0]
3.7 - 7.3M [12 - 24FT]:	+165.1mm-0 [+6.50in-0]
7.3-14.6M [24 - 48FT]:	+317.5mm-0 [+12.50in-0]
14.6 - 30.5M [48-100FT]:	+622.3mm-0 [+24.50in-0]
OVER 30M [100FT]	+2% OF FINISHED LENGTH

NOTES:

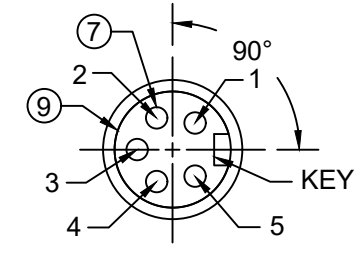
- MATERIAL: SEE TABLE
- FINISH: SEE TABLE
- ELECTRICAL:
VOLTAGE: 250V
CURRENT: 4A
- TEMP RATING: -20°C TO +80°C
- PROTECTION: IP67 (WHEN MATED)
- UL LISTED FILE: E152210
CSA CERTIFIED FILE: LR6837
- ALL DIMENSIONS ARE FOR REFERENCE UNLESS TOLERANCED OR NOTED OTHERWISE



FEMALE FACE VIEW



WIRING DIAGRAM



MALE FACE VIEW

11	WRAP LABEL	VINYL	BLACK/YELLOW
10	O-RING	NITRILE	RED
9	INSERT(MINI)	TPE	BLACK
8	INSERT(MICRO)	NYLON	BLACK
7	PIN CONTACT	COPPER ALLOY	GOLD OVER NICKEL
6	SOCKET CONTACT	COPPER ALLOY	GOLD OVER NICKEL
5	COUPLING NUT(MINI)	ZINC DIE-CAST	BLACK E-COAT
4	COUPLING NUT(MICRO)	ZINC DIE-CAST	BLACK E-COAT
3	OVERMOLD(MINI)	TPC	GRAY
2	OVERMOLD(MICRO)	TPC	GRAY
1	DEVICENET DROP CABLE	PVC JACKET	GRAY
ITEM	COMPONENT	MATERIAL	FINISH

THIS DRAWING CONTAINS INFORMATION THAT IS PROPRIETARY TO MOLEX ELECTRONIC TECHNOLOGIES, LLC AND SHOULD NOT BE USED WITHOUT WRITTEN PERMISSION

FUNCTIONAL SYMBOLS	DIMENSION UNITS	SCALE	CURRENT REV DESC:
$\nabla_A = 0$	INCH/MM	NTS	ITEM-2, 3 & 9 WERE PVC. ADDED ITEM-10, TOL CHART, PN LEGEND, UL, CSA AND CABLE DIA. MODIFIED PN CHART
$\nabla_C = 0$	GENERAL TOLERANCES (UNLESS SPECIFIED)		EC NO: 720800
$\nabla_F = 0$			DRWN: ABENJAMINLW 2022/07/28
			CHK'D: RSTONE 2022/09/09
			APPR: BWOODMAN 2022/09/09
DIVISIONAL SYMBOLS			INITIAL REVISION:
			DRWN: TWOLDEGE 2010/01/11
			APPR: JFMURPHY 2010/01/20
			THIRD ANGLE PROJECTION
			DRAWING
			SERIES
			MATERIAL NUMBER
			CUSTOMER
			SHEET NUMBER

molex

MINI-MICRO CHANGE DEVICENET, A-SIZE-M12,
5 POLE, MALE 90DEG -FEMALE 90DEG,
SINGLE KEY, #22/4 AWG

PRODUCT CUSTOMER DRAWING

DOCUMENT NUMBER	DOC TYPE	DOC PART	REVISION
SD-130039-023	PSD	001	B

DOCUMENT STATUS	P1	RELEASE DATE	2022/09/09	18:08:08
6	5	4	3	2