

6

5

4

3

2

1

E

E

D

D

C

C

B

B

A

A

99.5 FT.
REFERENCE

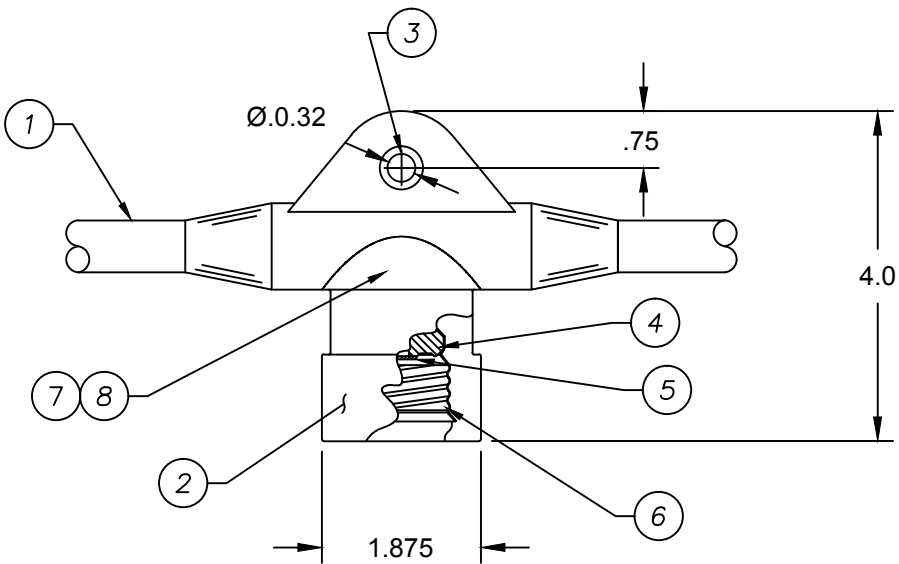
15 FT. ± 6 IN.
LEAD

1 FT. ± 2.0 IN.
84 PLACES

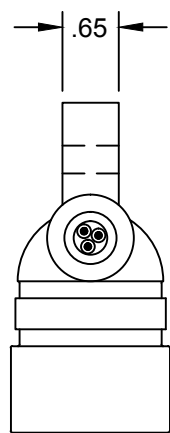
6 IN.
TAIL

[QTY-85] 323 MOLDED SOCKETS
COLOR: BLACK

#12-3 SOOW CORD
COLOR: BLACK



323 DETAIL



ITEM	DESCRIPTION	MATERIAL
1	#12-3 BLACK CABLE	SOOW/COPPER
2	MOLDED SOCKETS BLACK	NITRILE/PVC
3	EYELET	BRASS
4	BUTTON WHITE	PORCELAIN
5	RIVET	BRASS
6	SCREWSHELL	COOPER
7	1 CONDUCTOR WIRE BLACK	NEOPRENE
8	1 CONDUCTOR WIRE WHITE	NEOPRENE

CUSTOMER APPROVAL DRWG EC NO: IFC2014-0028 DRWN: HRUIZ01 2013/07/02 CHKD: HKNEELAN APPR: JFMURPHY 2014/01/28	DESCRIPTION REV	QUALITY SYMBOLS	GENERAL TOLERANCES (UNLESS SPECIFIED)	DIMENSION STYLE	SCALE	DESIGN UNITS	THIRD ANGLE PROJECTION															
		$\nabla = 0$ $\sphericalangle = 0$	<table border="1"> <tr> <th></th> <th>mm</th> <th>INCH</th> </tr> <tr> <td>4 PLACES</td> <td>±---</td> <td>±---</td> </tr> <tr> <td>3 PLACES</td> <td>±---</td> <td>±.005</td> </tr> <tr> <td>2 PLACES</td> <td>±---</td> <td>±.010</td> </tr> <tr> <td>1 PLACE</td> <td>±---</td> <td>±.020</td> </tr> </table>		mm	INCH	4 PLACES	±---	±---	3 PLACES	±---	±.005	2 PLACES	±---	±.010	1 PLACE	±---	±.020	INCH	NTS	INCH	
			mm	INCH																		
		4 PLACES	±---	±---																		
3 PLACES	±---	±.005																				
2 PLACES	±---	±.010																				
1 PLACE	±---	±.020																				
	ANGULAR ±1/2°		DRAWN BY DATE HRUIZ01 2013/07/02 CHECKED BY DATE HKNEELAN 2013/07/02 APPROVED BY DATE JFMURPHY 2014/01/28	TITLE STRNGLGHT 99.5' ALL BLK (85) 323 SCKTS, 1' SPNGS 15' LDR AND 6" TAIL																		
A		DRAFT WHERE APPLICABLE MUST REMAIN WITHIN DIMENSIONS	MATERIAL NO. 130106-0179	MOLEX INCORPORATED DOCUMENT NO. SD-130106-038		SHEET NO. 1 OF 1																

THIS DRAWING CONTAINS INFORMATION THAT IS PROPRIETARY TO MOLEX INCORPORATED AND SHOULD NOT BE USED WITHOUT WRITTEN PERMISSION

6

5

4

3

2

1