

Printed-circuit board connector - MC 0,5/ 3-G-2,54 SMDR24C1 - 1706149

Please be informed that the data shown in this PDF Document is generated from our Online Catalog. Please find the complete data in the user's documentation. Our General Terms of Use for Downloads are valid (<http://phoenixcontact.com/download>)

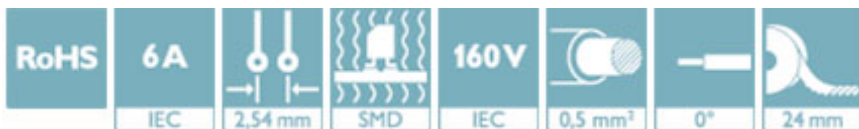
PCB headers, nominal current: 6 A, number of positions: 3, pitch: 2.54 mm, color: black, contact surface: Gold, mounting: SMD soldering, Fixed coding of the first position, can be combined with the FMC 0,5/...-ST-2,54 C1 connector



The figure shows the 10-position version

Your advantages

- ✓ Designed for integration into the SMT soldering process
- ✓ Additional solder anchors reduce the mechanical strain on the soldering spots
- ✓ Gold-plated contacts ensure transfer quality remains stable over the long term
- ✓ Supplied in tape-on-reel packing according to IEC 60286-3 for automated mounting



Key Commercial Data

| | |
|------------------------|---------------|
| Packing unit | 465 pc |
| Minimum order quantity | 465 pc |
| GTIN | |
| GTIN | 4046356842013 |

Technical data

Dimensions

| | |
|----------------|----------------|
| Length [l] | 7.1 mm |
| Width | 12.16 mm |
| Pitch | 2.54 mm |
| Dimension a | 5.08 mm |
| Width [w] | 12.16 mm |
| Height [h] | 4.85 mm |
| Height | 4.85 mm |
| Pin dimensions | 0.64 x 0.64 mm |
| Length | 7.1 mm |

General

Printed-circuit board connector - MC 0,5/ 3-G-2,54 SMDR24C1 - 1706149

Technical data

General

| | |
|--|-----------------|
| Range of articles | MC 0,5/...G-SMD |
| Insulating material group | IIIa |
| Rated surge voltage (III/3) | 2.5 kV |
| Rated surge voltage (III/2) | 2.5 kV |
| Rated surge voltage (II/2) | 2.5 kV |
| Rated voltage (III/3) | 32 V |
| Rated voltage (III/2) | 160 V |
| Rated voltage (II/2) | 160 V |
| Connection in acc. with standard | EN-VDE |
| Nominal current I _N | 6 A |
| Insulating material | LCP |
| Flammability rating according to UL 94 | V0 |
| Color | black |
| Number of positions | 3 |

Standards and Regulations

| | |
|--|--------|
| Connection in acc. with standard | EN-VDE |
| Flammability rating according to UL 94 | V0 |

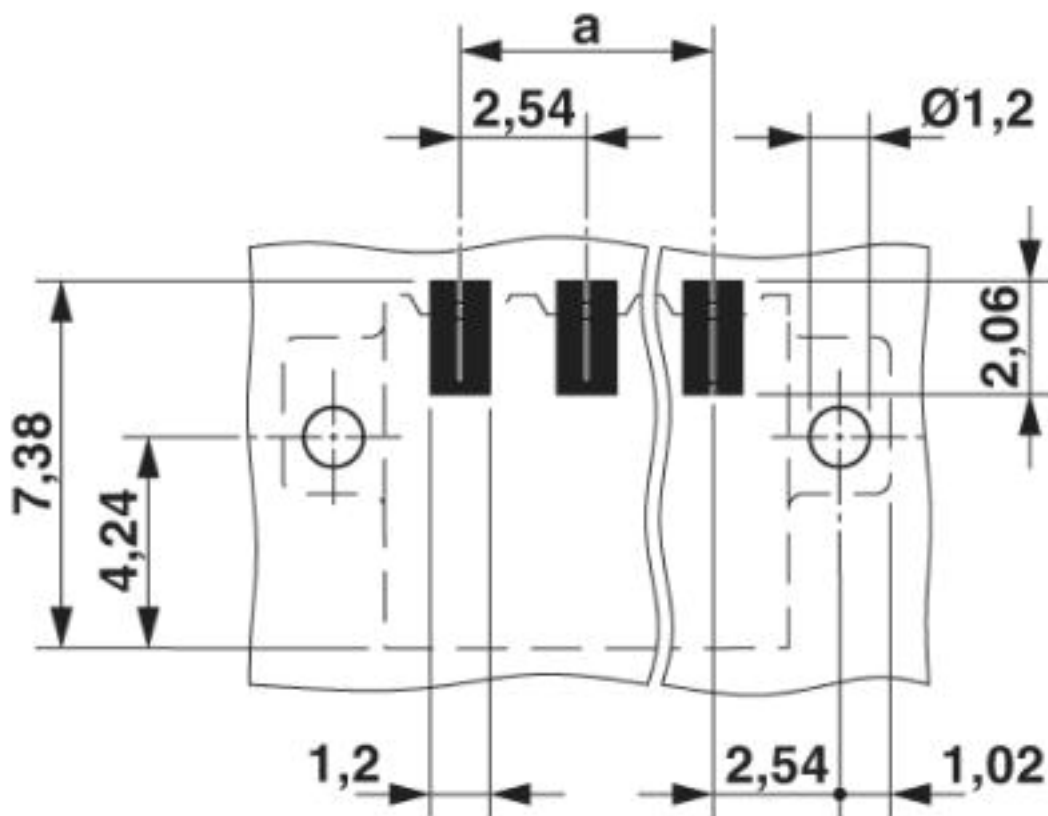
Environmental Product Compliance

| | |
|------------|---|
| China RoHS | Environmentally friendly use period: unlimited = EFUP-e |
| | No hazardous substances above threshold values |

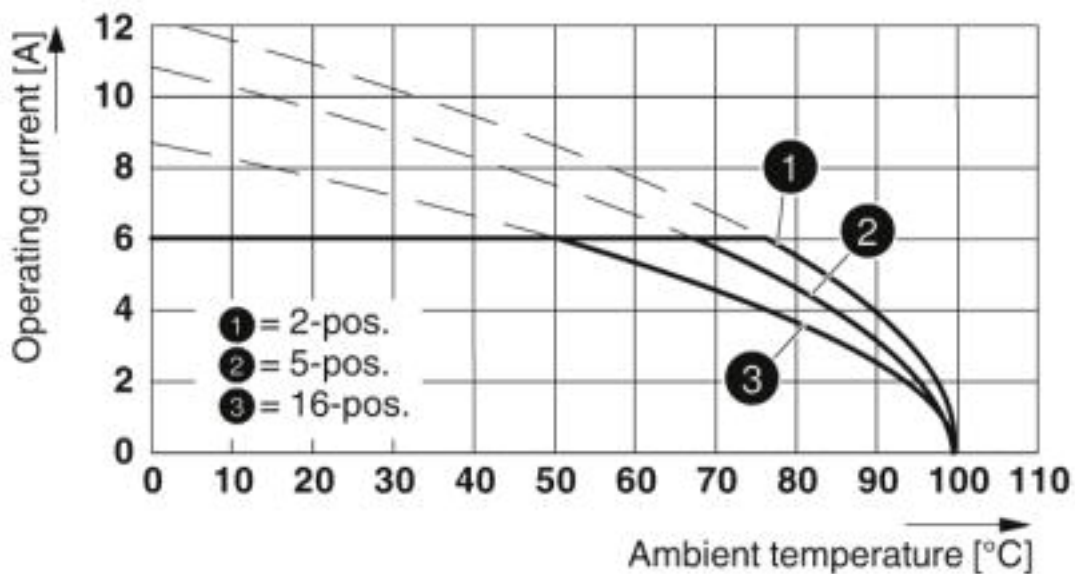
Drawings

Printed-circuit board connector - MC 0,5/ 3-G-2,54 SMDR24C1 - 1706149

Drilling diagram



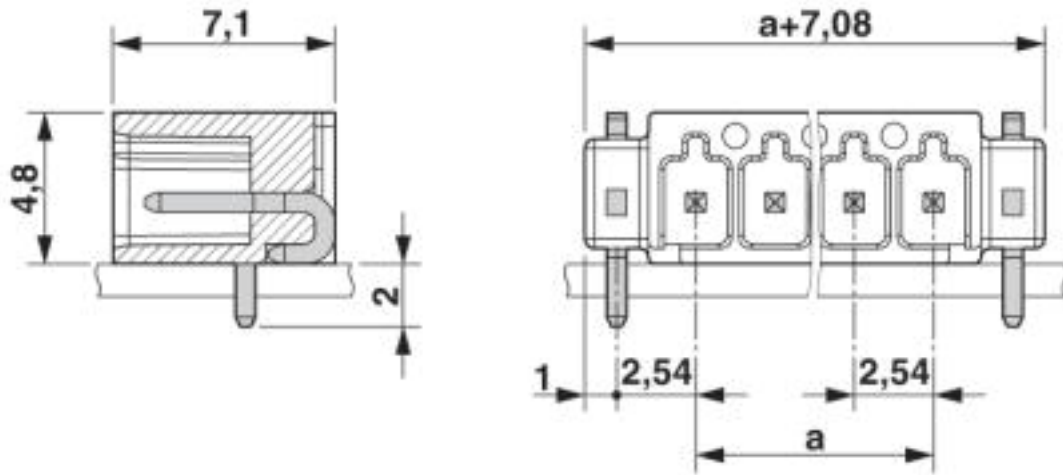
Diagram



Type: FMC 0,5/...-ST-2,54 with MC 0,5/...-G-2,54 SMD R..

Printed-circuit board connector - MC 0,5/ 3-G-2,54 SMDR24C1 - 1706149

Dimensional drawing



Approvals

Approvals

Approvals

IECEE CB Scheme / VDE Gutachten mit Fertigungsüberwachung / EAC / cULus Recognized

Ex Approvals

Approval details


| | | | |
|--------------------|-------|---|--------------|
| IECEE CB Scheme | | http://www.iecee.org/ | DE1-55663-B1 |
| Nominal voltage UN | 160 V | | |
| Nominal current IN | 6 A | | |

| | | | |
|---|-------|---|----------|
| VDE Gutachten mit Fertigungsüberwachung | | http://www2.vde.com/de/Institut/Online-Service/VDE-gepruefteProdukte/Seiten/Online-Suche.aspx | 40042258 |
| Nominal voltage UN | 160 V | | |
| Nominal current IN | 6 A | | |

Printed-circuit board connector - MC 0,5/ 3-G-2,54 SMDR24C1 - 1706149

Approvals

| | | |
|-----|---|---------|
| EAC |  | B.01742 |
|-----|---|---------|

| | | | |
|--------------------|---|---|-----------------|
| cULus Recognized |  | http://database.ul.com/cgi-bin/XYV/template/LISEXT/1FRAME/index.htm | E60425-19920306 |
| | B | C | |
| Nominal voltage UN | 150 V | 50 V | |
| Nominal current IN | 6 A | 6 A | |

Phoenix Contact 2019 © - all rights reserved
<http://www.phoenixcontact.com>

PHOENIX CONTACT GmbH & Co. KG
Flachsmarktstr. 8
32825 Blomberg
Germany
Tel. +49 5235 300
Fax +49 5235 3 41200
<http://www.phoenixcontact.com>