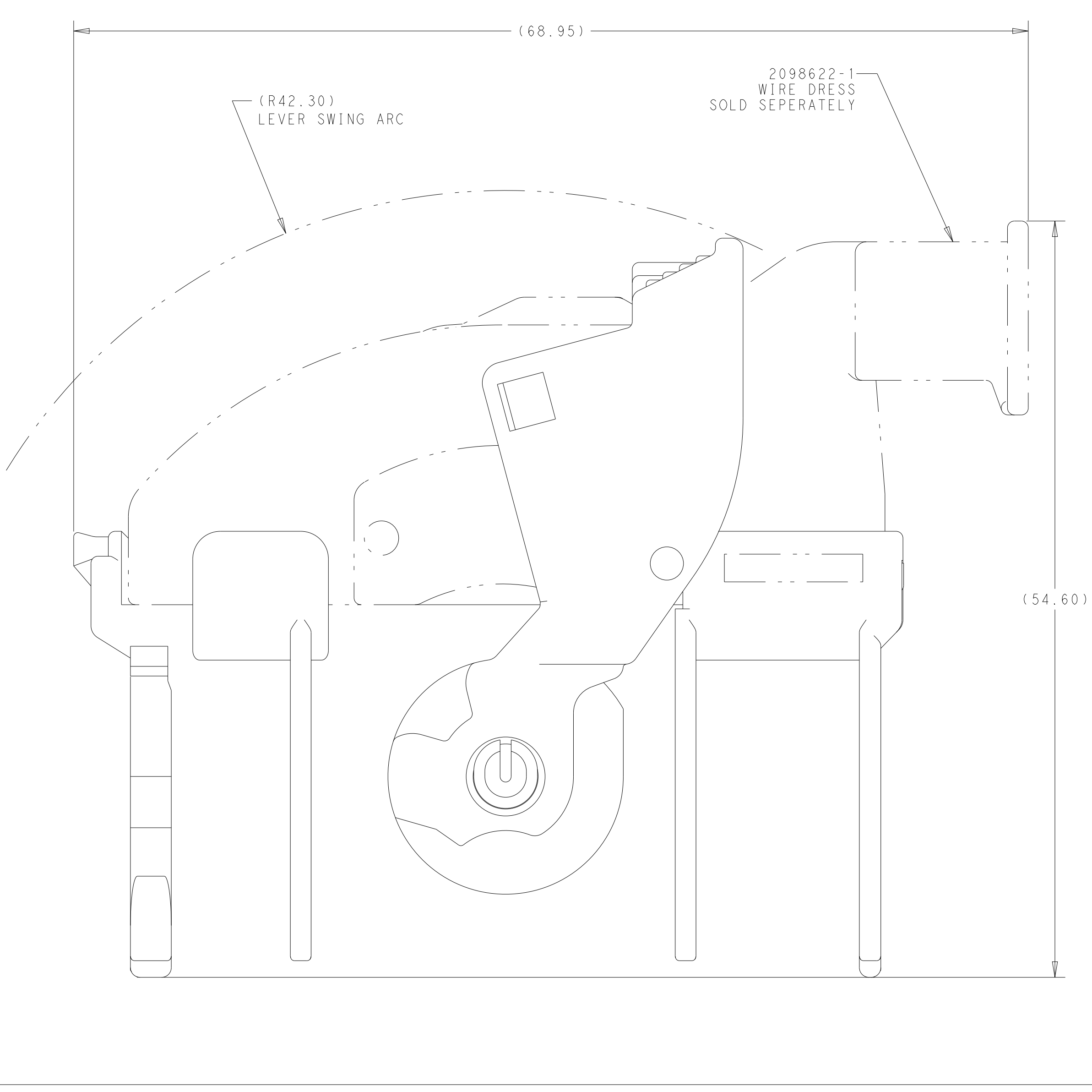
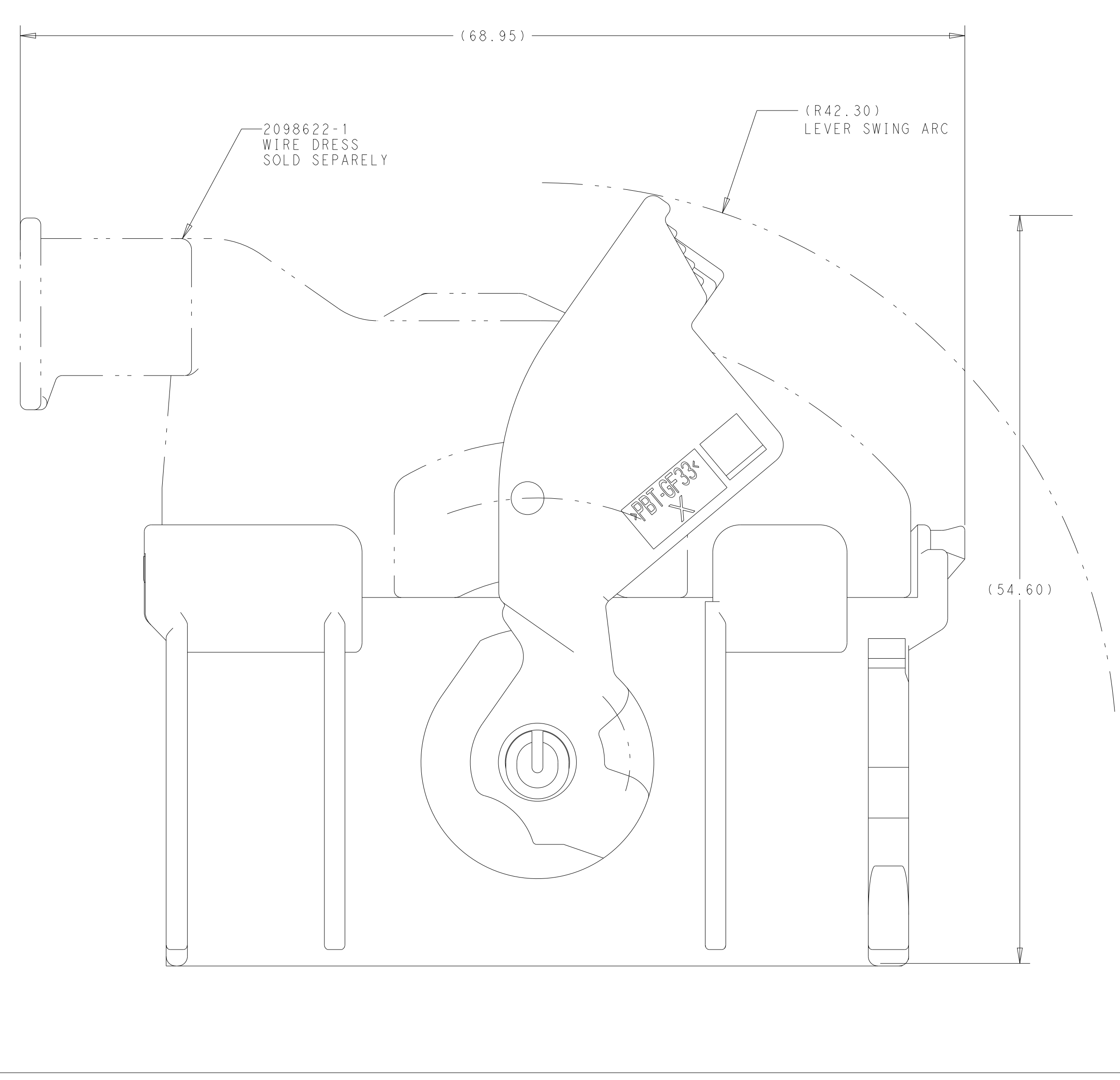


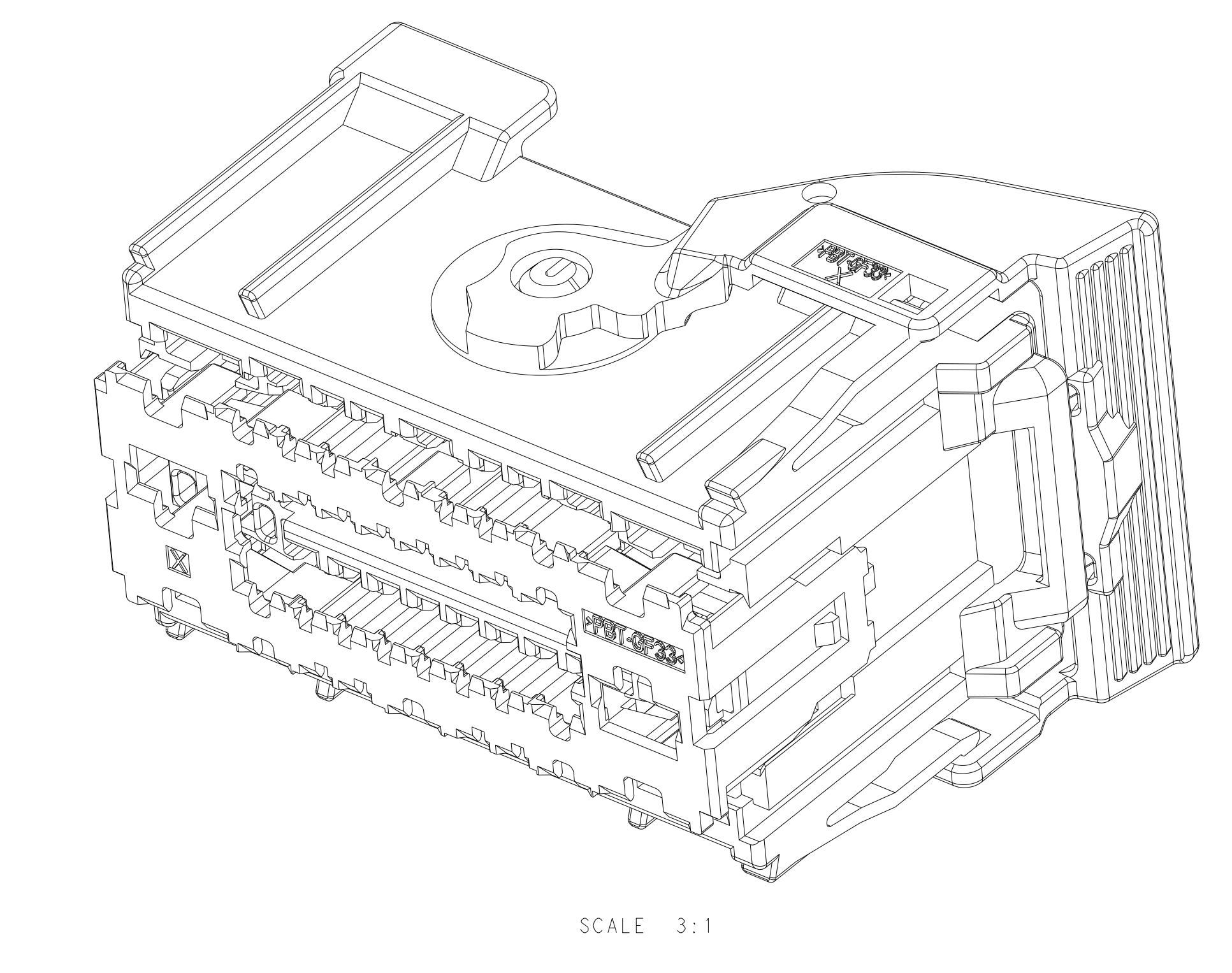
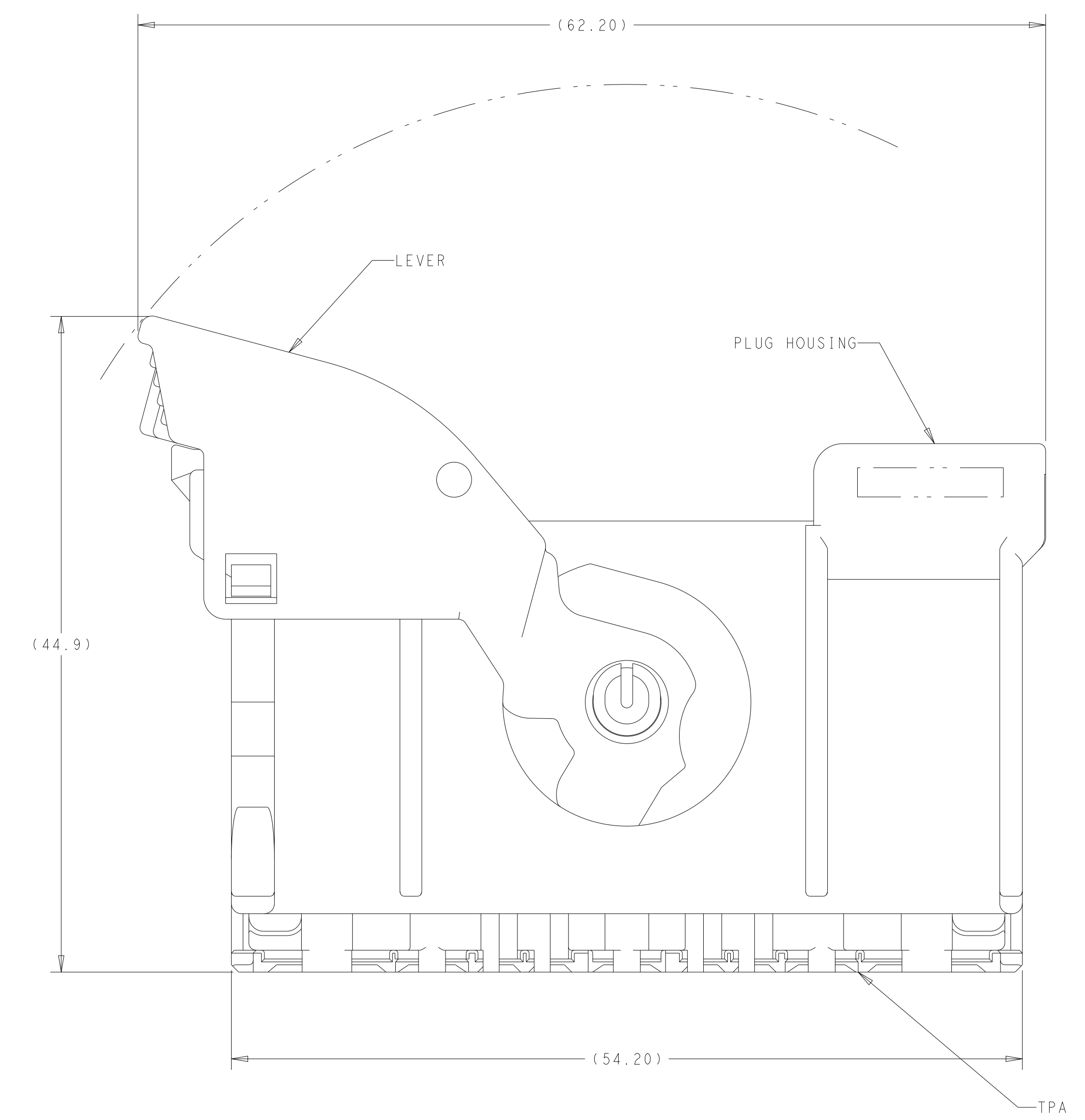
REVISIONS					
REV	LTN	DESCRIPTION	DATE	OWN	APPD
A2		REVISED PER ECO-16-010929	26JUL2014	DD	GR
A3		REVISED PER ECN-22-138797	11FEB2022	CN	JV
A4		REVISED PER ECN-22-157061	02JAN2022	CN	JV



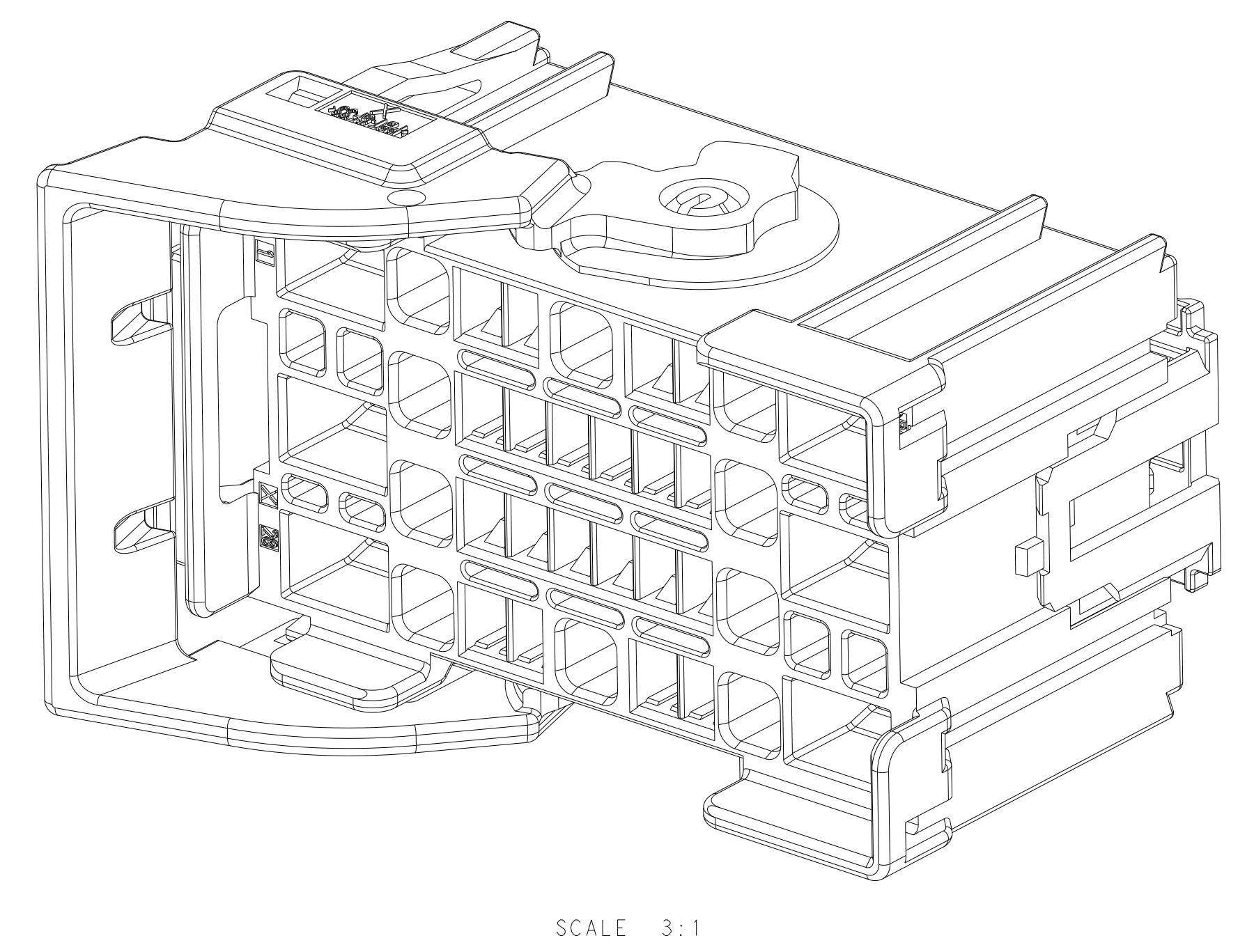
2138731-1
LEVER AND TPA IN ASSEMBLED POSITION,
WITH WIRE DRESS SOLD SEPARATELY. RIGHT EXIT



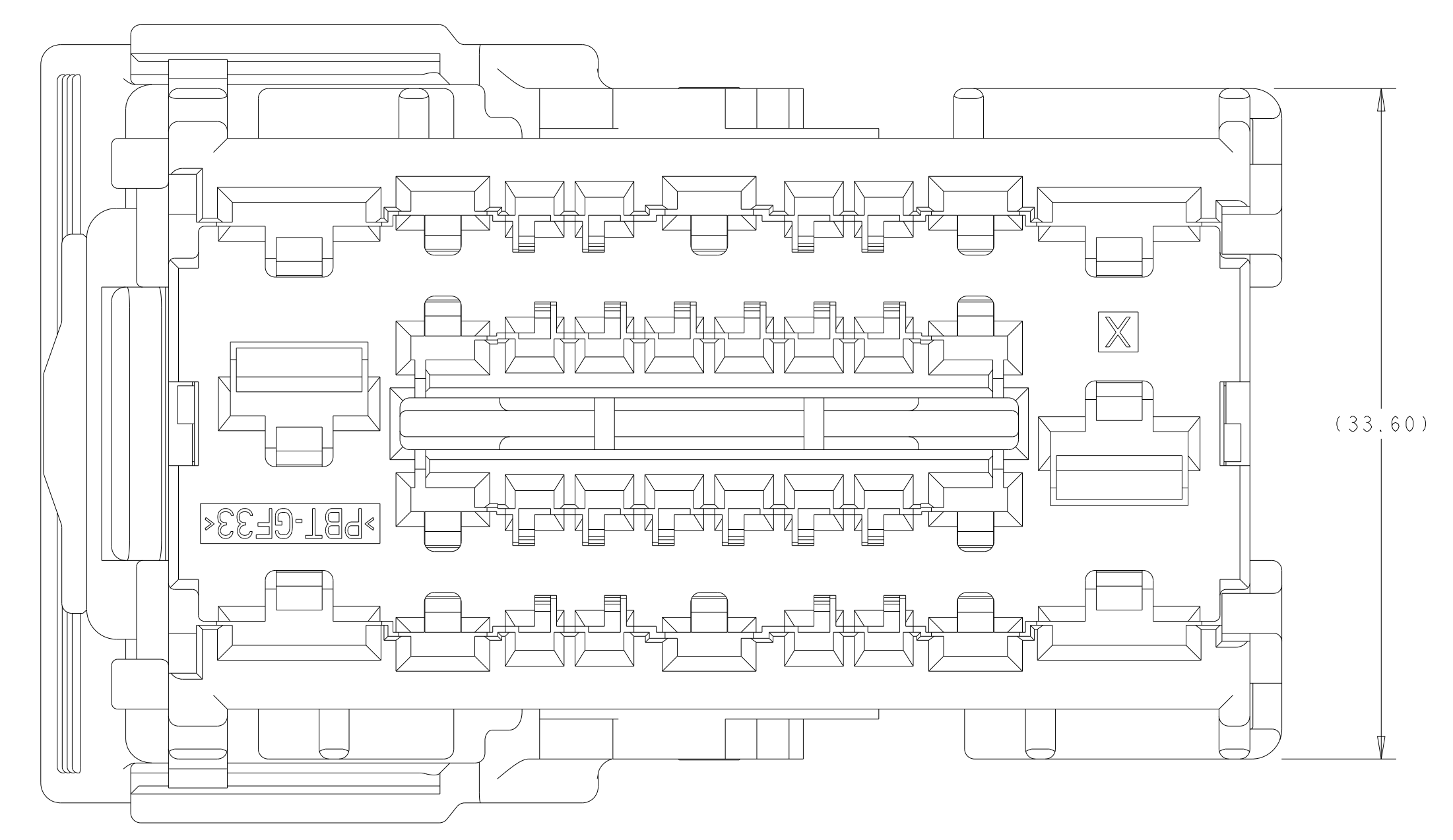
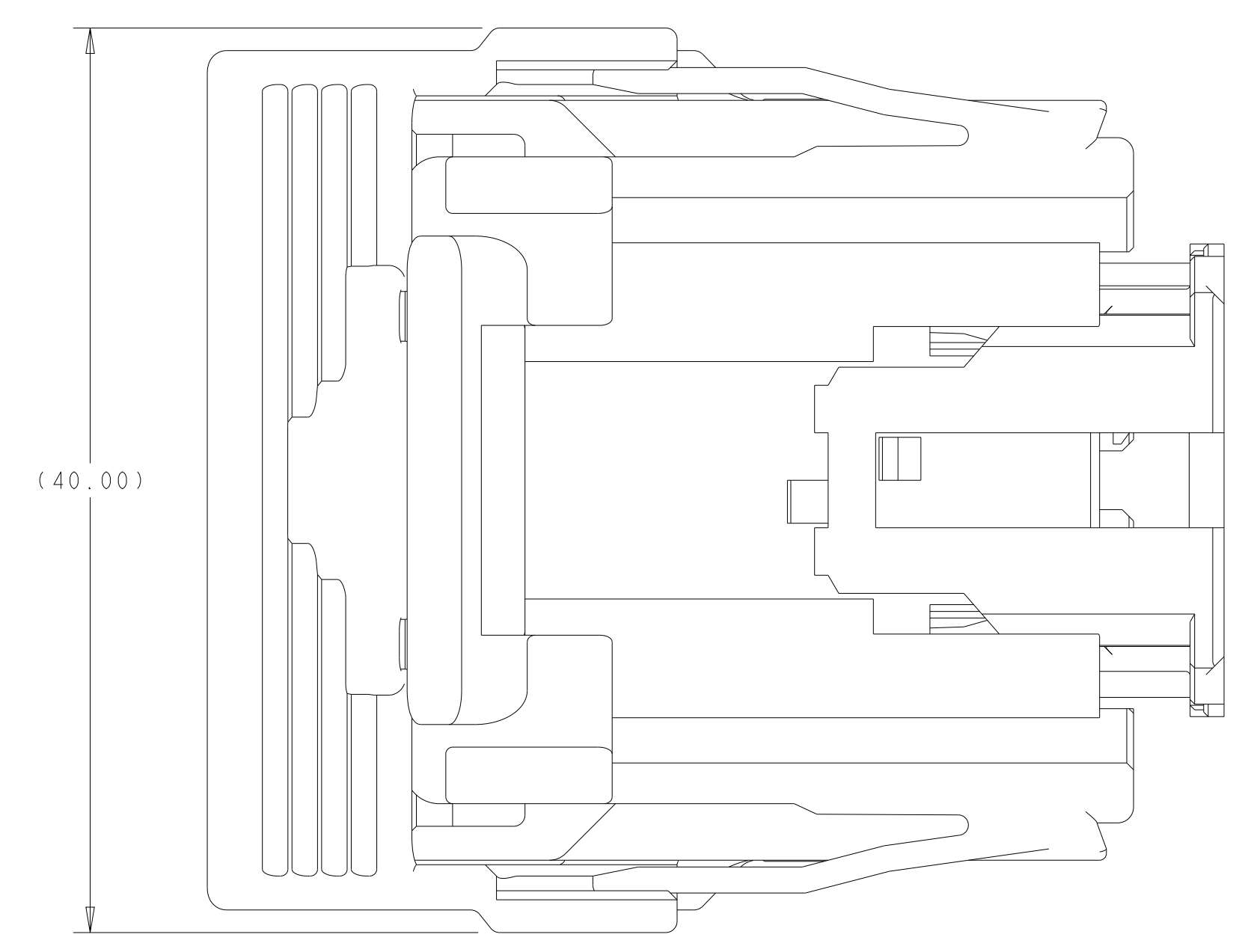
9-2138731-1
LEVER AND TPA IN ASSEMBLED POSITION,
WITH WIRE DRESS SOLD SEPARATELY. LEFT EXIT



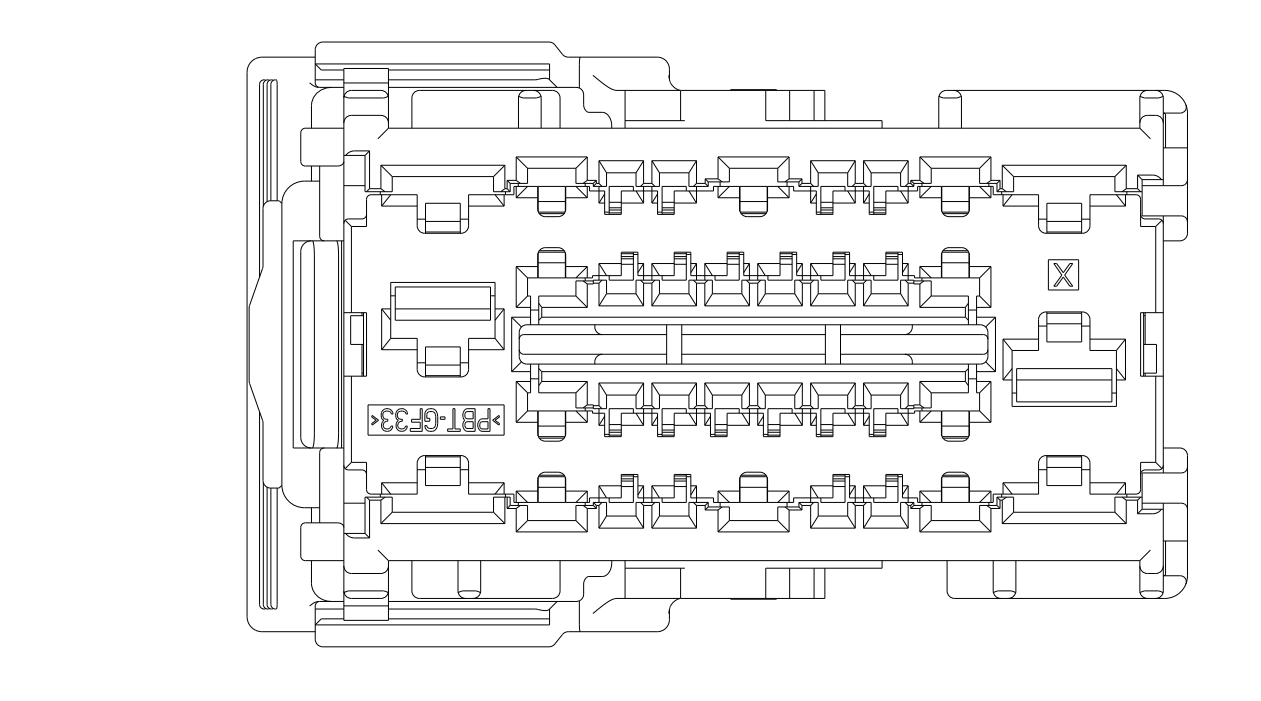
ISOMETRIC VIEWS



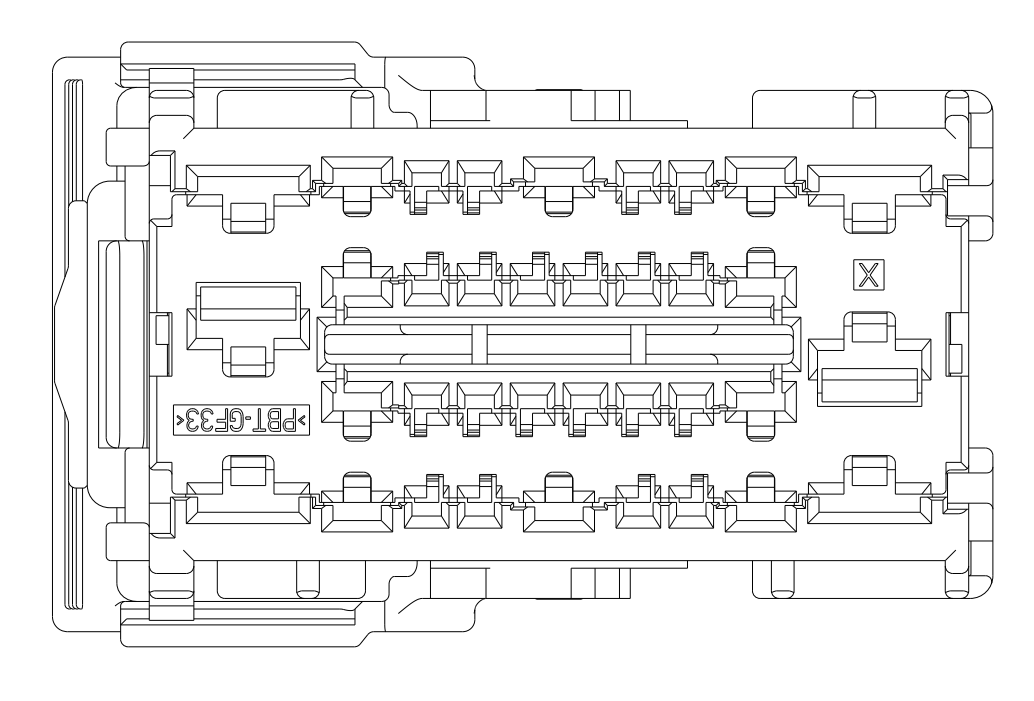
SCALE 3:1



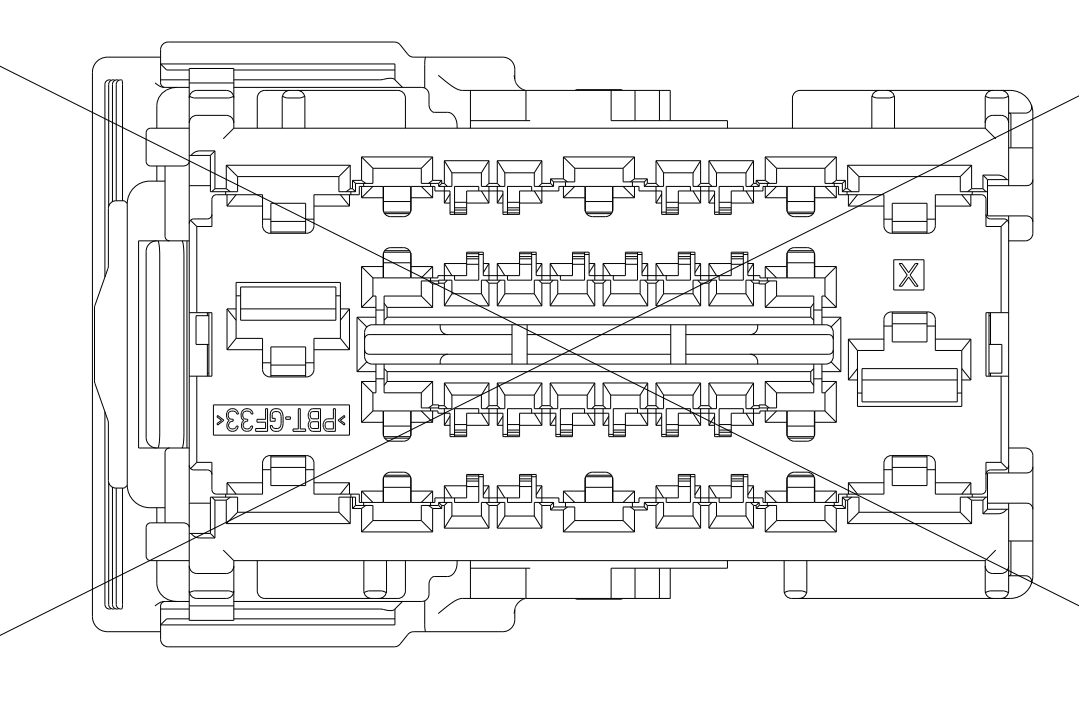
NOTES:
1. TE CONNECTIVITY PART NUMBER 2138731-1 SHOWN IN GENERAL VIEWS WITH TPA AND LEVER IN SHIPPING POSITION.
MATERIAL:
PLUG HOUSING: NYLON PA66 35% GLASS FILLED, BLACK
TPA: PBT 33% GLASS FILLED, RED
LEVER: PBT 33% GLASS FILLED, NATURAL



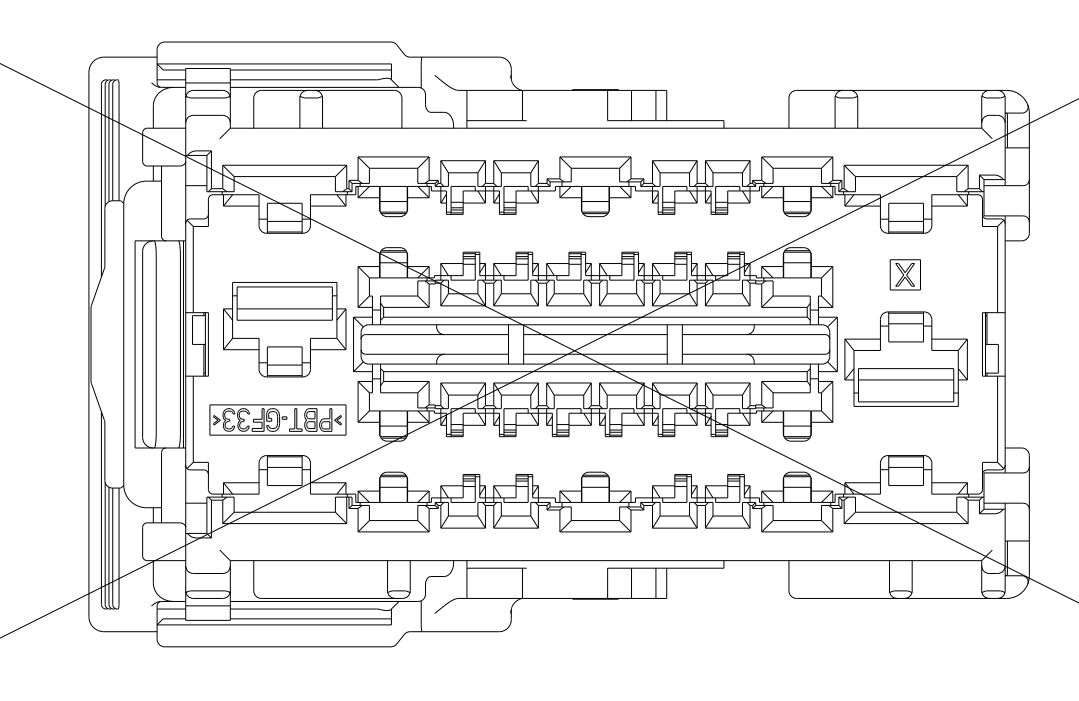
2138731-1
KEYING OPTION "A"



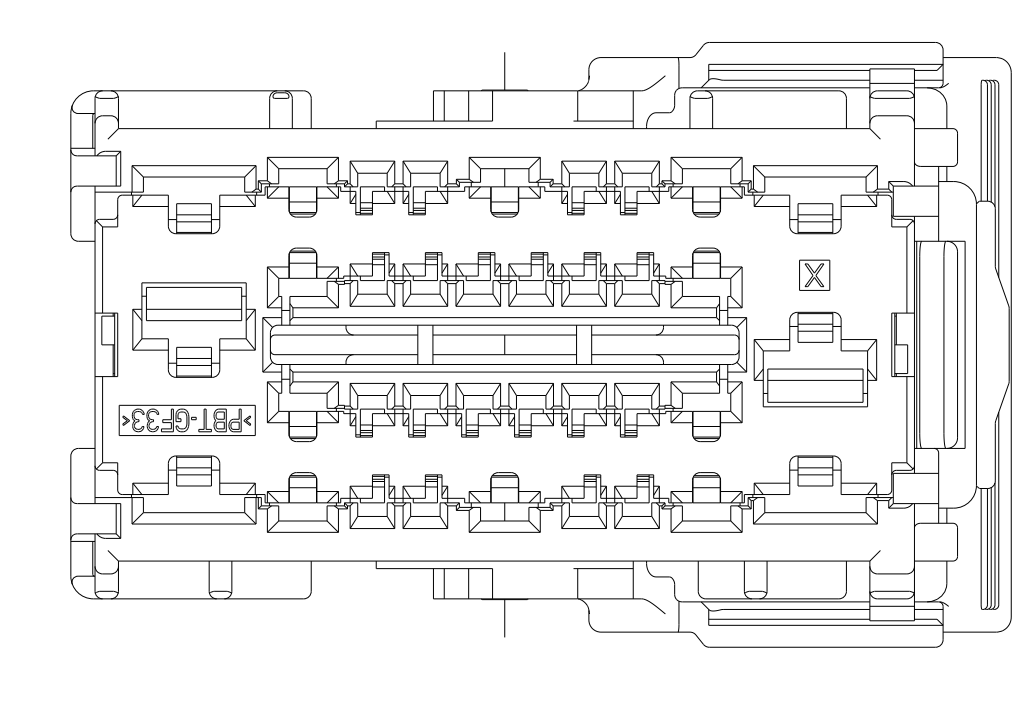
2138731-2
KEYING OPTION "B"



2138731-3
KEYING OPTION "C"



2138731-4
KEYING OPTION "D"



9-2138731-1
KEYING OPTION "A"

STATUS	KEYING OPTION	TE PART NUMBER
RELEASED	A	9-2138731-1
NOT TOOLED	D	2138731-4
NOT TOOLED	C	2138731-3
RELEASED	B	2138731-2
RELEASED	A	2138731-1

THIS DRAWING IS A CONTROLLED DOCUMENT. DAY: M. HILCHER, SDC2011; CHR. HEIRICK, SDC2011; J.E. HEIRICK, SDC2011. DIMENSIONS: UNLESS OTHERWISE SPECIFIED: INCH. 0.001. 0.002. 0.005. 0.010. 0.020. 0.050. 0.100. 0.150. 0.200. 0.300. 0.500. 1.000. MATERIAL: NYLON. FINISH: . MATERIAL: PBT. FINISH: . THIS DRAWING IS A CONTROLLED DOCUMENT. DAY: M. HILCHER, SDC2011; CHR. HEIRICK, SDC2011; J.E. HEIRICK, SDC2011. NAME: 36P UNSEALED HYBRID PLUG ASSEMBLY (20X 1.5, 10X 2.8, 6X 6.3). SIZE: CASE CODE: DRAWING NO: A000779. SCALE: 1:1. SHEET: 1 OF 1. REV: A.4. CUSTOMER DRAWING.