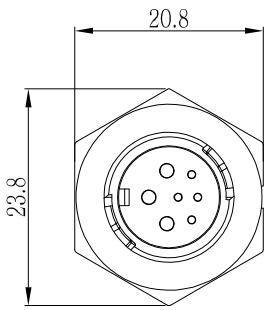
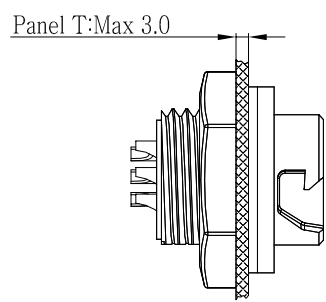
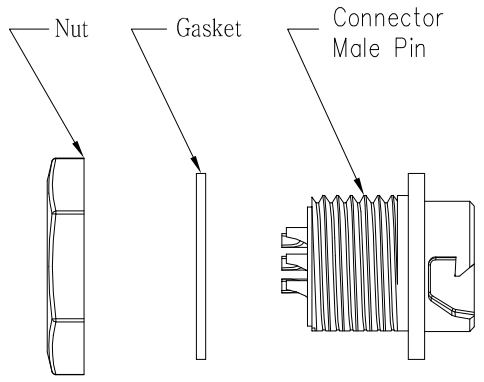
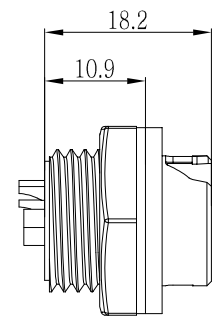
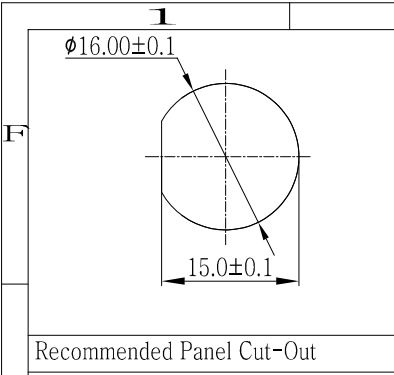


THIS INFORMATION IS CONFIDENTIAL AND IS DISCLOSED TO YOU ON CONDITION THAT NO FURTHER DISCLOSURE IS MADE BY YOU TO OTHER THAN CHOGORI PERSONNEL WITHOUT AUTHORIZATION FROM CHOGORI CORP.

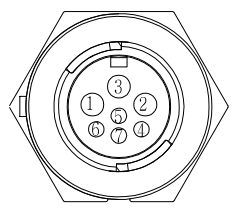
| REV. | ECN NO. | DESCRIPTION     | SIGN  | DATE       |
|------|---------|-----------------|-------|------------|
| C1   | N/A     | INITIAL DRAWING | Yumer | 2020/04/27 |



- Specification:
- 1.Operation Temperature:-45°C~105°C.
  - 2.Insulation Resistance:100MΩ at DC500V.
  - 3.Contact Resistance:<10mΩ.
  - 4.Withstand Voltage: 1300V AC
  - 5.Operating Current:10+ 2A
  - 6.Operating Voltage:AC 60V
  - 7.Waterproof Rate:IP67 (Mated)
  - 8.Connector:Nylon, Black
  - 9.Male Pin:Copper Alloy, Gold Plated
  - 10.Gasket:Silicon Gray
  - 11.Panel Nut:Nylon, Orange
  - 12.Torque Rate:0.8~1.0N • m
  - 13.RoHS Compliant.
  - 14.Mating Cap P/N:806-00053-01

22XXX535-03

Pin Number



3+4 Pin

P/N: 22304535-03

Pin Assignments  
Front View



|   |   |                 |                        |                   |                    |                    |                    |                       |
|---|---|-----------------|------------------------|-------------------|--------------------|--------------------|--------------------|-----------------------|
| UNIT:mm<br><br>TOLERANCE<br>.X ±0.25<br>.XX ±0.15<br>.XXX ±0.05<br>ANGLES ±1° | DESCRIPTION<br>Standard Series Push Lock Rear Mount With Male Pin |                 | PART NO<br>22XXX535-03 | DRAWN BY<br>Yumer | DATE<br>2020/04/27 |                    |                    |                       |
|   | SCALE<br>1:1  | SHEET<br>1 OF 1 |                        |                   |                    | DWG NO             | CHECKED BY<br>Ivan | DATE<br>2020/04/27    |
|   | REV.<br>C1  | SIZE<br>A4      |                        |                   |                    | * :Inspection Item | CUSTOMER           | APPROVED BY<br>Panson |