

## Distributed I/O device - AXL E IOL AO1 U M12 R - 2700278

Please be informed that the data shown in this PDF Document is generated from our Online Catalog. Please find the complete data in the user's documentation. Our General Terms of Use for Downloads are valid (<http://phoenixcontact.com/download>)




Axioline E-IO-Link/analog converter for connecting an analog actuator, 0 V ... 10 V, M12 fast connection technology, angled version

### Your advantages

- Angled version
- 1 IO-Link interface
- 1 analog output
- Connection of the actuator in 3-wire technology
- Voltage range: 0 V ... 10 V
- IO-Link and actuator connections via M12 connectors
- FE connection for local connection to functional earth ground
- Supply of the module electronics and the actuator via the IO-Link interface of the IO-Link master
- Diagnostic indicator



### Key Commercial Data

|              |   |
|--------------|---|
| Packing unit | 1 pc  |
| GTIN         | <br>4 046356 782593 |
| GTIN         | 4046356782593   |

### Technical data

#### Note

|                         |   |
|-------------------------|---|
| Utilization restriction | EMC: class A product, see manufacturer's declaration in the download area |
|-------------------------|---|

#### Dimensions

|        |         |
|--------|---------|
| Width  | 16.6 mm |
| Height | 42 mm   |
| Depth  | 66.5 mm |

#### Ambient conditions

## Distributed I/O device - AXL E IOL AO1 U M12 R - 2700278

### Technical data

#### Ambient conditions

|  |   |
|--|---|
| Ambient temperature (operation)          | -25 °C ... 60 °C                                  |
| Ambient temperature (storage/transport)  | -25 °C ... 85 °C                                  |
| Permissible humidity (operation)         | 5 % ... 95 %                                      |
| Permissible humidity (storage/transport) | 5 % ... 95 %                                      |
| Air pressure (operation)                 | 70 kPa ... 106 kPa (up to 3000 m above sea level) |
| Air pressure (storage/transport)         | 70 kPa ... 106 kPa (up to 3000 m above sea level) |
| Degree of protection                     | IP65/IP67   |

#### General

|                      |  |
|----------------------|--|
| Net weight           | 34 g   |
| Degree of pollution  | 2  |
| Diagnostics messages | Short circuit Message in the diagnostic code (in the IB IL format)         |
|                      | Configuration invalid Message in the diagnostic code (in the IB IL format) |
|                      | Module faulty Message in the diagnostic code (in the IB IL format)         |

#### Standards and Regulations

|                  |   |
|------------------|---|
| Mechanical tests | Vibration resistance in acc. with EN 60068-2-6/IEC 60068-2-6<br>Operation: 2g   |
|                  | Vibration resistance in acc. with EN 60068-2-6/IEC 60068-2-6 Storage/<br>transport: 5g                                  |
|                  | Shock in acc. with EN 60068-2-27/IEC 60068-2-27 Operation: 30g,<br>11 ms, three shocks in each space direction          |
|                  | Shock in acc. with EN 60068-2-27/IEC 60068-2-27 Storage/<br>transport: 50g, 11 ms, three shocks in each space direction |
|                  | Continuous shock according to EN 60068-2-27/IEC 60068-2-27<br>10g, 16 ms, 1000 shocks, in all space directions          |
| Protection class | III, IEC 61140, EN 61140, VDE 0140-1  |

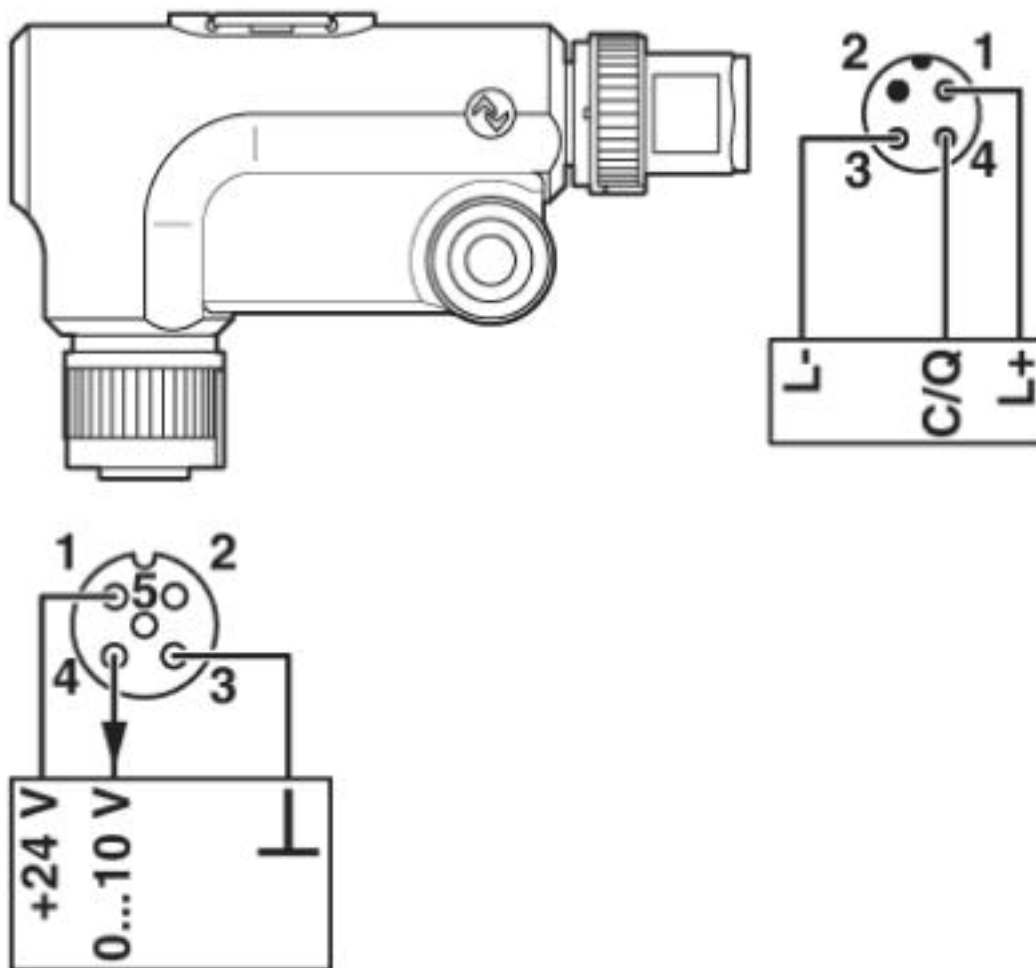
#### Environmental Product Compliance

|            |                |
|------------|----------------|
| REACH SVHC | Lead 7439-92-1 |
|------------|----------------|

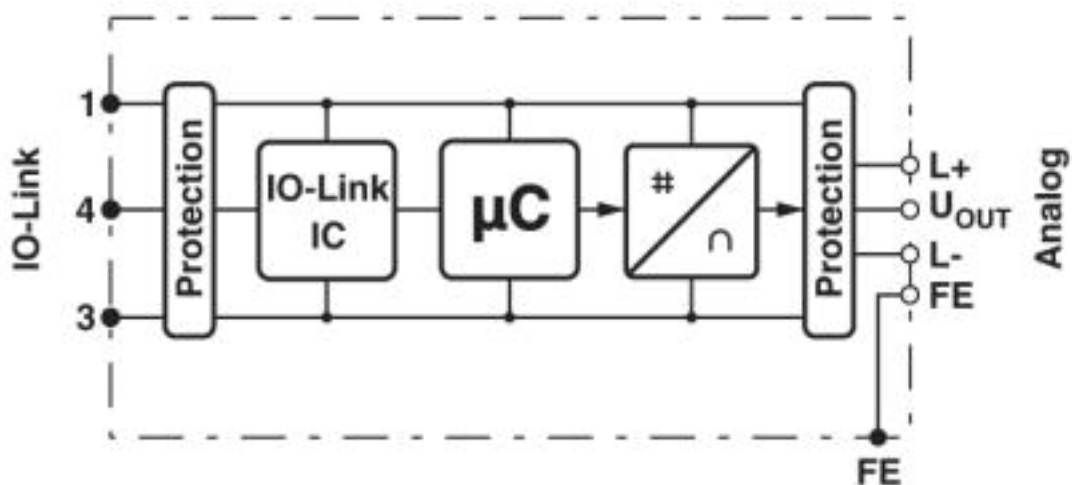
### Drawings

# Distributed I/O device - AXL E IOL AO1 U M12 R - 2700278

Connection diagram

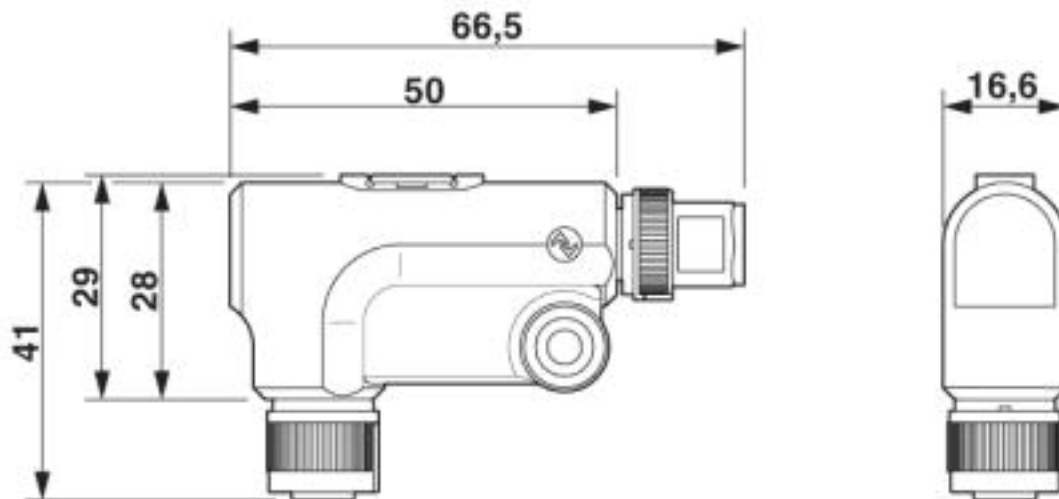


Block diagram



# Distributed I/O device - AXL E IOL AO1 U M12 R - 2700278

Dimensional drawing



## Approvals

Approvals

---

Approvals

UL Listed / cUL Listed / cULus Listed

---

Ex Approvals

## Approval details

|           |  |   |               |
|-----------|--|---|---------------|
| UL Listed |  | <a href="http://database.ul.com/cgi-bin/XYV/template/LISEXT/1FRAME/index.htm">http://database.ul.com/cgi-bin/XYV/template/LISEXT/1FRAME/index.htm</a> | FILE E 140324 |
|-----------|--|---|---------------|

|            |  |   |               |
|------------|--|---|---------------|
| cUL Listed |  | <a href="http://database.ul.com/cgi-bin/XYV/template/LISEXT/1FRAME/index.htm">http://database.ul.com/cgi-bin/XYV/template/LISEXT/1FRAME/index.htm</a> | FILE E 140324 |
|------------|--|---|---------------|

|              |  |  |  |
|--------------|--|--|--|
| cULus Listed |  |  |  |
|--------------|--|--|--|

Phoenix Contact 2019 © - all rights reserved  
<http://www.phoenixcontact.com>

PHOENIX CONTACT GmbH & Co. KG  
Flachmarktstr. 8  
32825 Blomberg  
Germany  
Tel. +49 5235 300  
Fax +49 5235 3 41200  
<http://www.phoenixcontact.com>