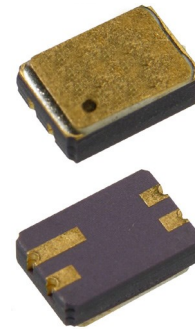


Surface Mount NPN General Purpose Transistor

2N2222AUA

2N2222AUATXV - NRND

2N2222AUATX - Obsolete



Features:

- Ceramic 4 pin surface mount package
- Small package to minimize circuit board area
- Hermetically sealed
- Processed per MIL-PRF-19500/255

Description:

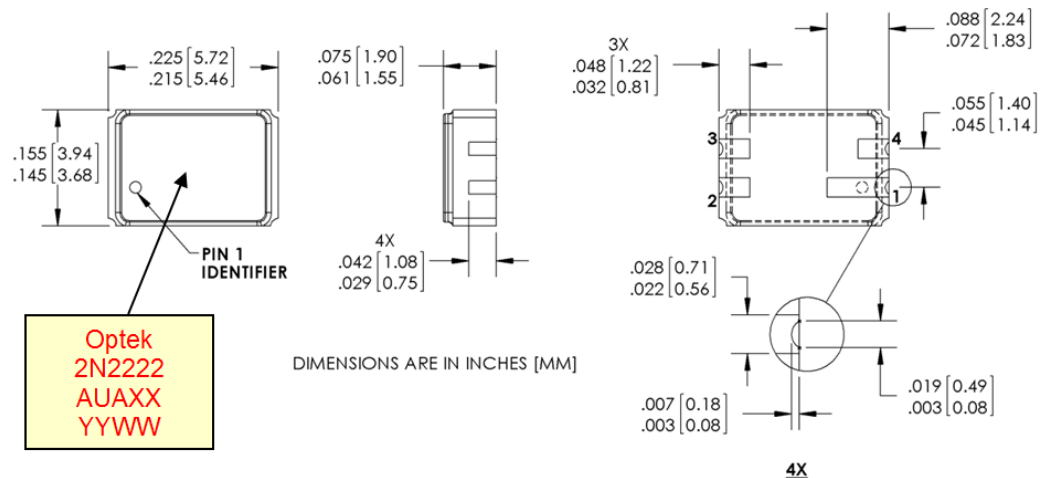
The 2N2222AUA (TX - Obsolete, TXV - NRND) is a hermetically sealed ceramic surface mount general purpose switching transistor. The four pin ceramic package is ideal for designs where board space and device weight are important design considerations. The "UA" suffix denotes the 4 terminal leadless chip carrier package, type "A" per MIL-PRF-19500/255.

Typical screening per MIL-PRF-19500/255. The burn-in condition is $V_{CB} = 30\text{ V}$, $P_D = 400\text{ mW}$, $T_A = 25^\circ\text{ C}$, $t = 80\text{ hrs}$. Refer to MIL-PRF-19500/255 for complete requirements. In addition, the TX and TXV versions receive 100 % thermal response testing.

When ordering parts without processing, do not use the TX or TXV suffix.

Applications:

- General switching
- Amplification
- Signal processing
- Radio transmission
- Logic gates



Pin	Function
1	Collector
2	Emitter
3	Base
4	No Connection

General Note

TT Electronics reserves the right to make changes in product specification without notice or liability. All information is subject to TT Electronics' own data and is considered accurate at time of going to print.

TT Electronics | OPTEK Technology
 2900 E. Plano Pkwy, Plano, TX 75074 | Ph: +1 972 323 2200
www.ttelectronics.com | sensors@ttelectronics.com

Surface Mount NPN General Purpose Transistor

2N2222AUA

2N2222AUATXV - NRND

2N2222AUATX - Obsolete



Absolute Maximum Ratings ($T_A = 25^\circ\text{C}$ unless otherwise noted)	
Collector-Base Voltage	75 V
Collector-Emitter Voltage	50V
Emitter-Base Voltage	6.0 V
Collector Current-Continuous	800 mA
Operating Junction Temperature (T_J)	-65°C to $+200^\circ\text{C}$
Storage Junction Temperature (T_{stg})	-65°C to $+200^\circ\text{C}$
Power Dissipation @ $T_A = 25^\circ\text{C}$	0.5 W
Power Dissipation @ $T_c = 25^\circ\text{C}$	1.16 W ⁽¹⁾
Soldering Temperature (vapor phase reflow for 30 seconds)	215° C
Soldering Temperature (heated collet for 5 seconds)	260° C

Electrical Characteristics ($T_A = 25^\circ\text{C}$ unless otherwise noted)					
SYMBOL	PARAMETER	MIN	MAX	UNITS	TEST CONDITIONS
OFF CHARACTERISTICS					
$V_{(BR)CBO}$	Collector-Base Breakdown Voltage	75		V	$I_C = 10\ \mu\text{A}, I_E = 0$
$V_{(BR)CEO}$	Collector-Emitter Breakdown Voltage	50		V	$I_C = 10\ \text{mA}, I_B = 0$
$V_{(BR)EBO}$	Emitter-Base Breakdown Voltage	6.0		V	$I_E = 10\ \mu\text{A}, I_C = 0$
I_{CBO}	Collector-Base Cutoff Current		10	nA	$V_{CB} = 60\ \text{V}, I_E = 0$
			10	μA	$V_{CB} = 60\ \text{V}, I_E = 0, T_A = 150^\circ\text{C}$
I_{EBO}	Emitter-Base Cutoff Current		10	nA	$V_{EB} = 4\ \text{V}, I_C = 0$
I_{CES}	Collector Emitter Cutoff Current		50	nA	$V_{CE} = 50\ \text{V}$
ON CHARACTERISTICS					
h_{FE}	Forward-Current Transfer Ratio	50		-	$V_{CE} = 10\ \text{V}, I_C = 0.1\ \text{mA}$
		75	325	-	$V_{CE} = 10\ \text{V}, I_C = 1.0\ \text{mA}$
		100		-	$V_{CE} = 10\ \text{V}, I_C = 10\ \text{mA}$
		100	300	-	$V_{CE} = 10\ \text{V}, I_C = 150\ \text{mA}^{(2)}$
		30		-	$V_{CE} = 10\ \text{V}, I_C = 500\ \text{mA}^{(2)}$
		35		-	$V_{CE} = 10\ \text{V}, I_C = 10\ \text{mA}, T_A = -55^\circ\text{C}$

Note:
 1. Derate linearly 6.6 mW/° C above 25° C
 2. Pulse Width $\leq 300\ \mu\text{s}$, Duty Cycle $\leq 2.0\ \%$

General Note
 TT Electronics reserves the right to make changes in product specification without notice or liability. All information is subject to TT Electronics' own data and is considered accurate at time of going to print.

TT Electronics | OPTEK Technology
 2900 E. Plano Pkwy, Plano, TX 75074 | Ph: +1 972 323 2200
www.ttelectronics.com | sensors@ttelectronics.com

Surface Mount NPN General Purpose Transistor

2N2222AUA

2N2222AUATXV - NRND

2N2222AUATX - Obsolete



Electrical Characteristics ($T_A = 25^\circ\text{C}$ unless otherwise noted)					
SYMBOL	PARAMETER	MIN	MAX	UNITS	TEST CONDITIONS
ON CHARACTERISTICS					
$V_{CE(SAT)}$	Collector-Emitter Saturation Voltage		0.3	V	$I_C = 150\text{ mA}, I_B = 15\text{ mA}^{(2)}$
			1.0	V	$I_C = 500\text{ mA}, I_B = 50\text{ mA}^{(2)}$
$V_{BE(SAT)}$	Base-Emitter Saturation Voltage	0.6	1.2	V	$I_C = 150\text{ mA}, I_B = 15\text{ mA}^{(2)}$
			2.0	V	$I_C = 500\text{ mA}, I_B = 50\text{ mA}^{(2)}$
SMALL-SIGNAL CHARACTERISTICS					
$ h_{fe} $	Small Signal Forward Current Transfer Ratio	50		-	$V_{CE} = 10\text{ V}, I_C = 1.0\text{ mA}, f = 1.0\text{ kHz}$
$ h_{fe} $	Small Signal Forward Current Transfer Ratio	2.5		-	$V_{CE} = 20\text{ V}, I_C = 20\text{ mA}, f = 100\text{ MHz}$
C_{obo}	Open Circuit Output Capacitance		8.0	pF	$V_{CB} = 10\text{ V}, 100\text{ kHz} \leq f \leq 1.0\text{ MHz}$
C_{ibo}	Input Capacitance (Output Open)		25	pF	$V_{EB} = 0.5\text{ V}, 100\text{ kHz} \leq f \leq 1.0\text{ MHz}$
SWITCHING CHARACTERISTICS					
t_{on}	Turn-On Time		35	ns	$V_{CC} = 30\text{ V}, I_C = 150\text{ mA}, I_{B1} = 15\text{ mA}$
t_{off}	Turn-Off Time		300	ns	$V_{CC} = 30\text{ V}, I_C = 150\text{ mA}, I_{B1} = I_{B2} = 15\text{ mA}$

General Note

TT Electronics reserves the right to make changes in product specification without notice or liability. All information is subject to TT Electronics' own data and is considered accurate at time of going to print.

TT Electronics | OPTEK Technology
 2900 E. Plano Pkwy, Plano, TX 75074 | Ph: +1 972 323 2200
www.ttelectronics.com | sensors@ttelectronics.com