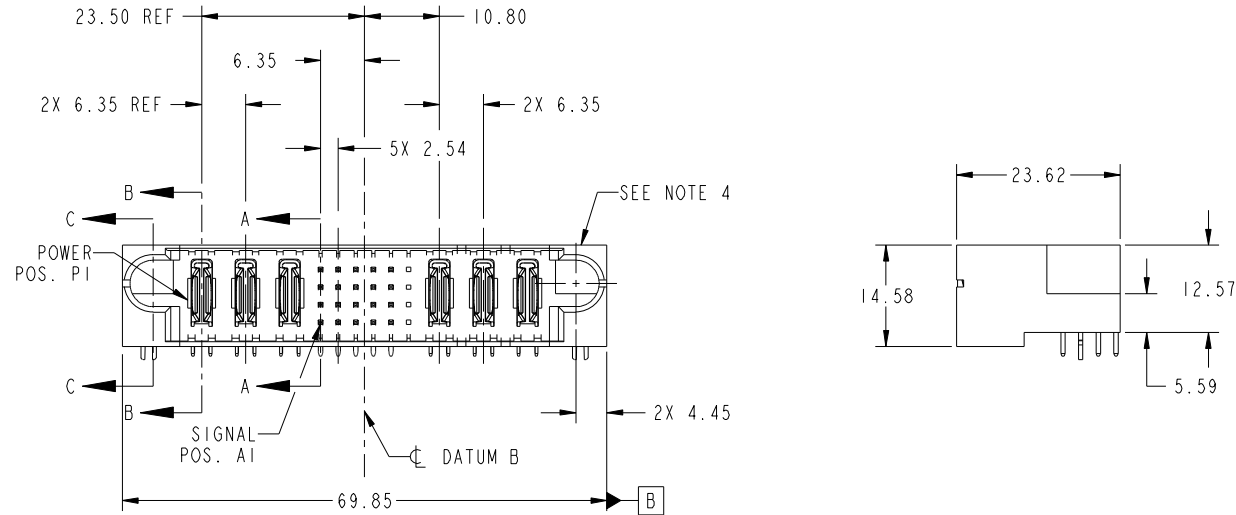


Tous droits strictement reserves. Reproduction ou communication a des tiers interdite sous quelque forme que ce soit sans autorisation écrite du propriétaire. Propriete de c FCI. Droits de reproduction FCI.

All rights strictly reserved. Reproduction or issue to third parties in any form whatever is not permitted without written authority from the proprietor. Property of FCI. Copyright FCI.



PRODUCT NO.	ROWS	POWER			SIGNAL						POWER			E2		
		E1	P1	P2	P3	1	2	3	4	5	6	P4	P5		P6	
51730-167... NOTE 3	D C B A					UUUUU TTTTT SSSSS RRRRR	X					X				



CODE	DIM "M" MATING LENGTH	CONTACT TYPE
U	[6.86]	SIGNAL
T	[6.86]	SIGNAL
S	[6.86]	SIGNAL
R	[6.86]	SIGNAL
PA	[N/A]	POWER
HA	[N/A]	HOLD-DOWN
X	OMITTED	OMITTED

mat'l code				SEE NOTE		tolerances unless otherwise specified		CUSTOMER		FCI	
ltr	ecn no.	dr	date	linear	0.X ± 0.5	projection		COPY		www.fciconnect.com	
A	DG10-0050	WL	2/04/10	angles	0.XX ± 0.25	MIM		title		3P + 24S + 3P	
				dr	0.XXX ± 0.1	scale		product family		PwrBlade	
				enr	0° ± 2°	1:1		size		code	
				chr	WL ZHANG 2/04/10			dwg no		213	
				appd	WL ZHANG 2/04/10			51730-167		sheet	
					PM ZHENG 2/04/10			1 of 4			
					JOSEPH HSIA 2/04/10						
sheet index	revision sheet	A	A	A	A						
		1	2	3	4						

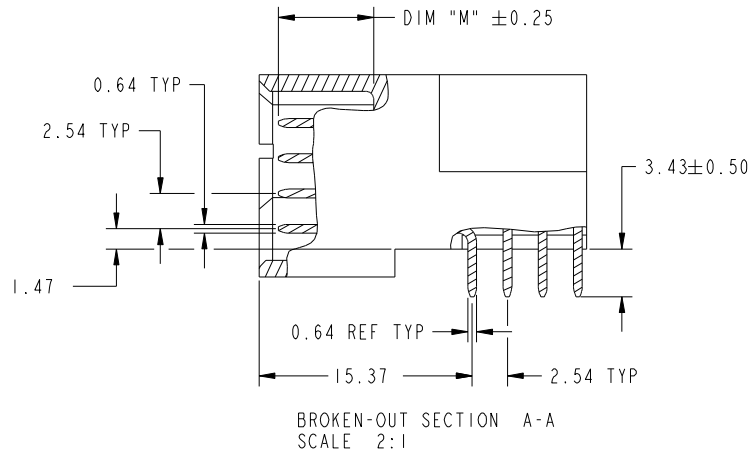
cage code 22526

Tous droits strictement reserves. Reproduction ou communication a des tiers interdite sous quelque forme que ce soit sans autorisation écrite du propriétaire. Propriete de c FCI. Droits de reproduction FCI.

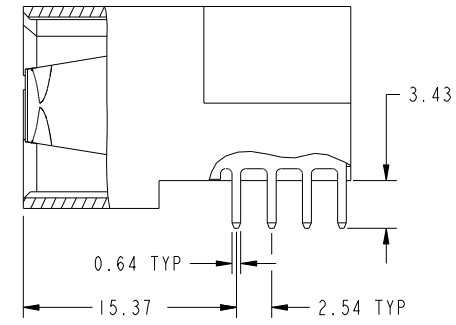
All rights strictly reserved. Reproduction or issue to third parties in any form whatever is not permitted without written authority from the proprietor. Property of FCI. Copyright FCI.



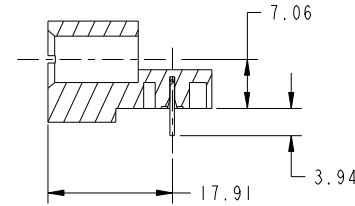
PRODUCT NUMBER  
51730-167\_\_  
NOTE: 3



BROKEN-OUT SECTION A-A  
SCALE 2:1



BROKEN-OUT SECTION B-B  
SCALE 2:1



SECTION C-C

mat'l code				SEE NOTE		tolerances unless otherwise specified		CUSTOMER		FCI	
ltr	ecr no.	dr	date	linear	0.X ±0.5	projection		COPY		www.fciconnect.com	
A				angles	0.XX ±0.25	MIM		title		3P + 24S + 3P	
				dr	0.XXX ±0.1	1:1		product family		PwrBlade	
				enr	0° ±2°			size		code	
				chr	WL ZHANG 2/04/10			dwg no		213	
				appd	WL ZHANG 2/04/10			51730-167		sheet	
					PM ZHENG 2/04/10			A		2 of 4	
					JOSEPH HSIA 2/04/10						
sheet index	revision sheet										

cage code 22526

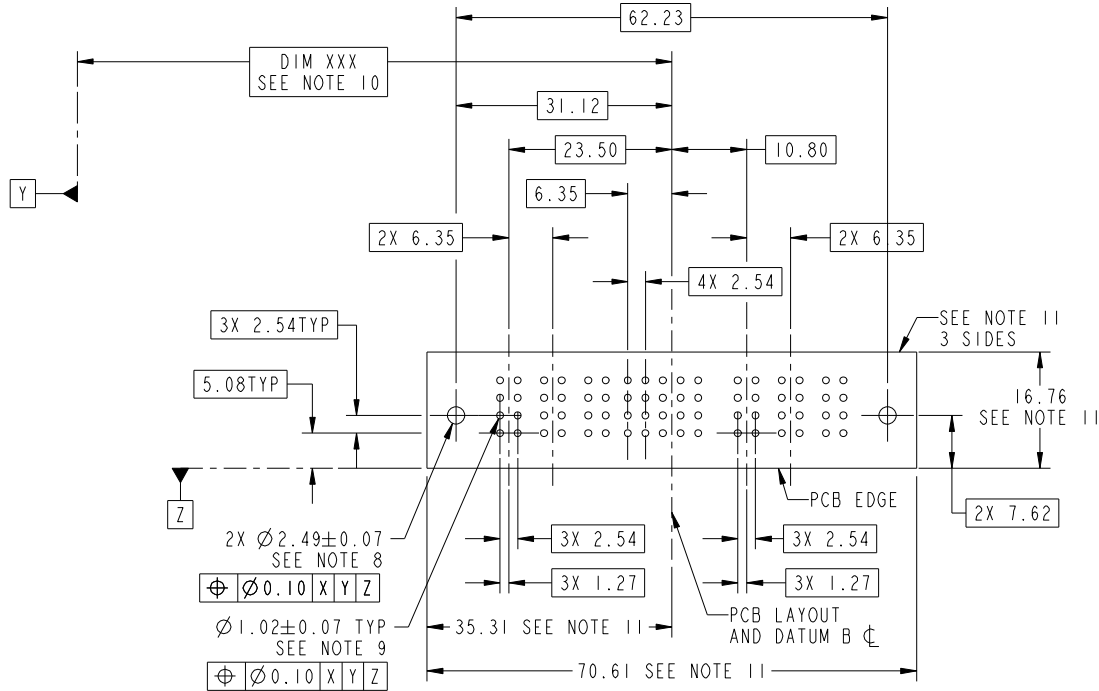
Pro/E

Tous droits strictement reserves. Reproduction ou communication a des tiers interdite sous quelque forme que ce soit sans autorisation écrite du propriétaire. Propriete de c FCI. Droits de reproduction FCI.



All rights strictly reserved. Reproduction or issue to third parties in any form whatever is not permitted without written authority from the proprietor. Property of FCI. Copyright FCI.

PRODUCT NUMBER  
51730-167-  
NOTE: 3



RECOMMENDED PCB LAYOUT

mat'l code				SEE NOTE	tolerances unless otherwise specified		CUSTOMER		FCI	
ltr	ecn no.	dr	date	linear	0.X ±0.5	COPY		www.fciconnect.com		
A				linear	0.XX ±0.25	projection		title		
				angles	0.XXX ±0.1			3P + 24S + 3P RIGHT ANGLE SOLDER HEADER		
				dr	0° ±2°			product family	PwrBlade	code
				enrg	WL ZHANG 2/04/10	scale		size	dwg no	213
				chr	WL ZHANG 2/04/10	1:1		A	51730-167	sheet
				appd	PM ZHENG 2/04/10					3 of 4
					JOSEPH HSIA 2/04/10					
sheet index	revision sheet									

cage code 22526

Pro/E

Tous droits strictement reserves. Reproduction ou communication a des tiers interdite sous quelque forme que ce soit sans autorisation écrite du propriétaire. Propriete de c FCI. Droits de reproduction FCI.



All rights strictly reserved. Reproduction or issue to third parties in any form whatever is not permitted without written authority from the proprietor. Property of FCI. Copyright FCI.

PRODUCT NUMBER  
51730-167\_-  
NOTE: 3

NOTES:

1. DIMENSIONS AND TOLERANCES ARE IN ACCORDANCE WITH ASME Y14.5M, 1994 UNLESS OTHERWISE SPECIFIED.

CONNECTOR NOTES:

- 2. HOUSING MATERIAL: UL 94 V-0 GLASS FILLED HIGH-TEMP THERMOPLASTIC  
POWER CONTACT MATERIAL: COPPER ALLOY  
SIGNAL PIN MATERIAL: COPPER ALLOY
- 3. PLATING:  
SEE ITEM 1 & 2 IN PRINT 10064183 FOR PLATING SPEC. OF 51730-167; 51730-167LF RESPECTIVELY.
- 4. MANUFACTURER'S NAME, DATE CODE AND OPTIONAL P/N TO APPEAR ON THIS SURFACE. THE P/N CAN BE OMITTED IF THERE IS NOT ENOUGH SPACE ON THIS SURFACE.
- 5. PRODUCT SPECIFICATION GS-12-149.  
APPLICATION SPECIFICATION BUS-20-067.
- 6. PACKAGED IN TRAYS.

PCB NOTES:

- 7. ALL HOLE DIAMETERS ARE FINISHED HOLE SIZE.
- 8. MOUNTING HOLES, WHERE APPLICABLE, ARE UNPLATED.
- 9.  $\varnothing 1.151 \pm 0.025$  DRILLED HOLES PLATED WITH 0.008 MIN SnPb OR Sn OVER 0.03 TO 0.08 Cu PLATING TO ACHIEVE  $\varnothing 1.02 \pm 0.07$  HOLE.
- 10. "DIM XXX" TO BE DETERMINED BY THE CUSTOMER.
- 11. CONNECTOR KEEP-OUT ZONE.

mat'l code		SEE NOTE		tolerances unless otherwise specified		CUSTOMER		FCI		www.fciconnect.com	
ltr	ecn no.	dr	date	linear	0.X ± 0.5	COPY				title	
A					0.XX ± 0.25	projection				3P + 24S + 3P	
				angles	0.XXX ± 0.1					RIGHT ANGLE SOLDER HEADER	
				dr	0° ± 2°	MIM		product family		PwrBlade	code
				enr	WL ZHANG 2/04/10	← MIM →		size		dwg no	213
				chr	WL ZHANG 2/04/10	scale		A		51730-167	sheet
				appd	PM ZHENG 2/04/10	1:1				4 of 4	
					JOSEPH HSIA 2/04/10						
sheet index	revision sheet										

cage code 22526

Pro/E