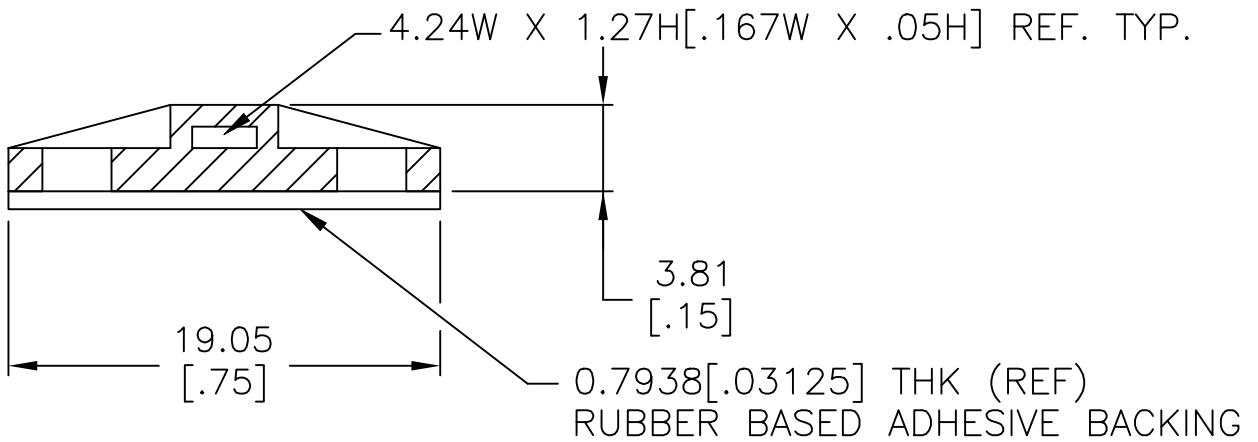
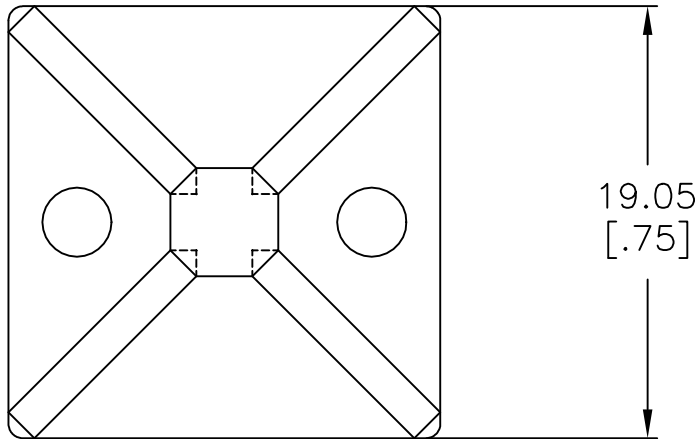


REVISIONS					
P	LTR	DESCRIPTION	DATE	DWN	APVD
	0	RELEASED	17-JAN-00	KW	JS
	A	REDRAWN PER ECO-17-002880	31AUG2017	BDA	DR
	A1	REVISED PER ECO-17-013665	09JAN2018	RS	DR
	A2	REVISED PER ECO-18-008037	24MAY2018	RS	DR

- 1 ACCOMODATES CABLE TIES WITH TENSILE VALUE OF 133.44 NEWTONS [30 LBS] MAXIMUM.
- 2 AS SHOWN – PACKAGED 100 PER SEALED POLY BAG WITH LABEL TO CONTAIN AMP P/N DESCRIPTION, QUANTITY, DATE CODE, AND U.L. RECOGNITION MARK.




608802-1  
PART NUMBER

RELEASED FOR PUBLICATION

ALL RIGHTS RESERVED.

© COPYRIGHT - TE Connectivity

THIS DRAWING IS UNPUBLISHED.

DIMENSIONS: mm [INCHES]	DWN K. WHITAKER 17-JAN-2000	MATERIAL NYLON, WHITE	FINISH -		
	CHK J. SCHLUNZ 17-JAN-2000	 TE Connectivity Ltd.			
TOLERANCES UNLESS OTHERWISE SPECIFIED:	APVD J. SCHLUNZ 17-JAN-2000			NAME 4 WAY CABLE TIE MOUNT 2 #4 SCREW HOLES, W/ADHESIVE	
0 PLC ± -	PRODUCT SPEC -	SIZE A4	CAGE CODE 00779	DRAWING NO 608802	RESTRICTED TO -
1 PLC ± -	APPLICATION SPEC -	SCALE 3:1		SHEET 1 OF 1	REV A2
2 PLC ± 0.51 [.02]	WEIGHT	CUSTOMER DRAWING			
3 PLC ± -					
4 PLC ± -					
ANGLES ± 0° 30'					

