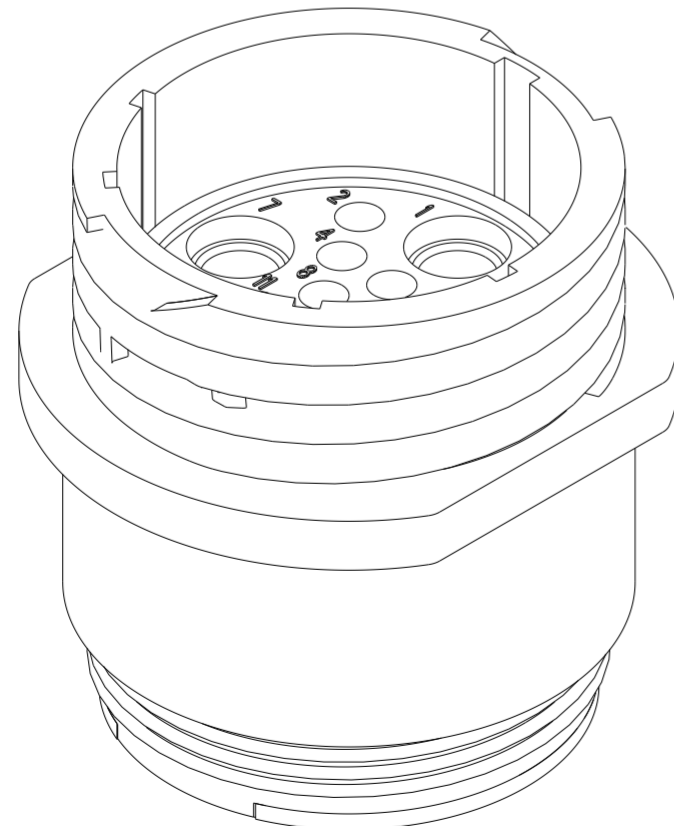
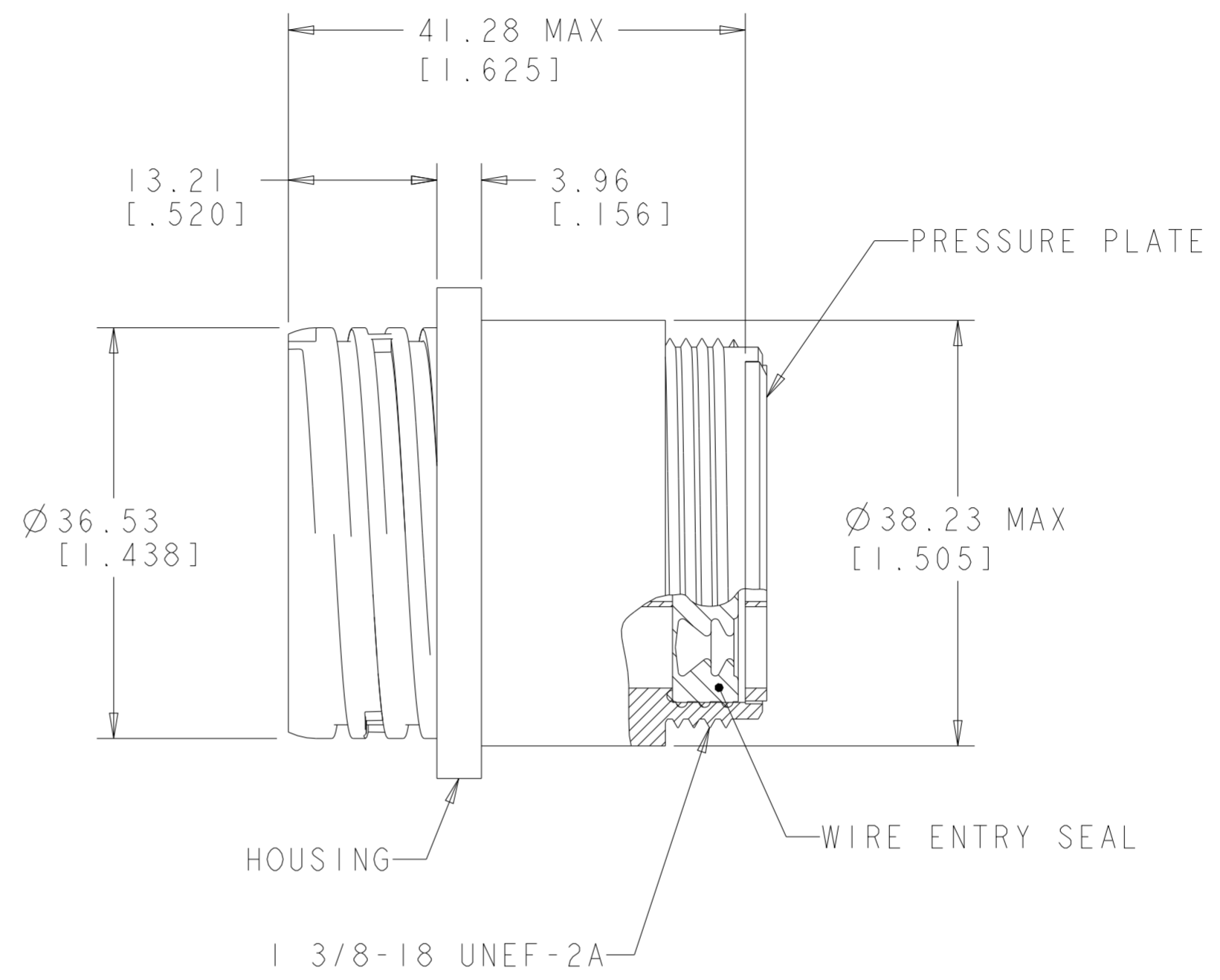
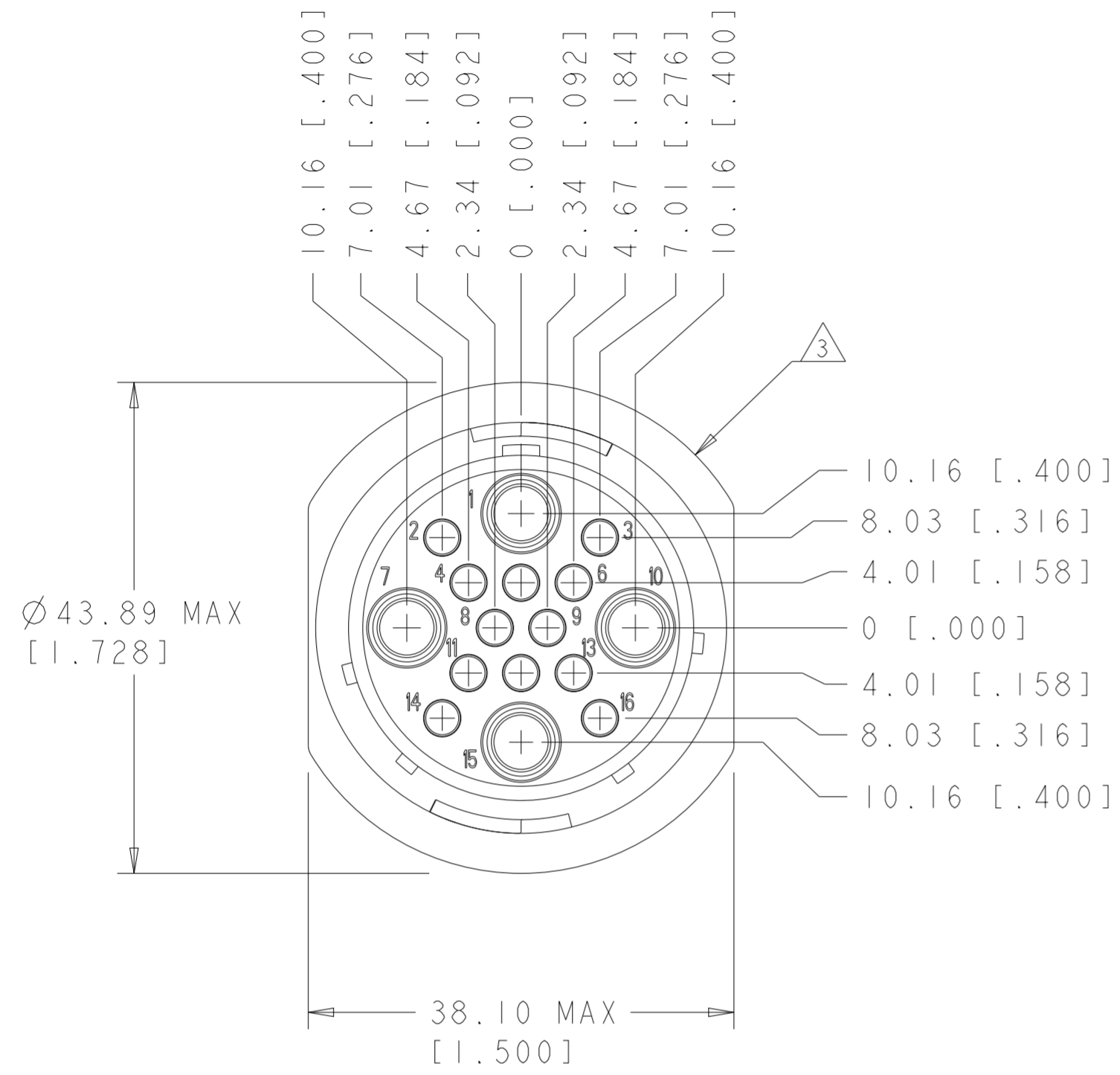


P	LTR	DESCRIPTION	DATE	DWN	APVD
B		REVISED PER ECO-21-006943	13OCT2021	RK	MZ



- △ HOUSING & PRESSURE PLATE: NYLON, BLACK.
WIRE ENTRY SEAL: ELASTOMER, RED-IRON OXIDE.
PERIPHERAL SEAL: ELASTOMER, BLACK.
- 2. WILL ACCEPT (12) MULTIMATE PINS AND (4) POWER MALE CONTACTS.
- △ TE LOGO LOCATED ON ANY FLANGE EDGE

796207-1
PART NUMBER

THIS DRAWING IS A CONTROLLED DOCUMENT.		DWN S. WELDON 09SEP99	TE Connectivity	
DIMENSIONS: mm [INCHES]		CHK K. DOWHOWER 09SEP99		
TOLERANCES UNLESS OTHERWISE SPECIFIED:		APVD K. DOWHOWER 09SEP99	NAME RECEPTACLE ASSY, SERIES 6, STANDARD SEX, SIZE 23-16, CIRCULAR PLASTIC CONNECTOR	
0 PLC ± 1 PLC ± 2 PLC ±0.02 3 PLC ± 4 PLC ± ANGLES ± FINISH -		PRODUCT SPEC 108-1579	SIZE A2	CAGE CODE 00779
MATERIAL △		APPLICATION SPEC -	DRAWING NO C-796207	RESTRICTED TO -
		WEIGHT -	SCALE 2:1	SHEET 1 OF 1
		CUSTOMER DRAWING	REV B	