

# Product data sheet

## Characteristics

# 9050JCK60V24

Timing Relay, Type JCK, plug In, on delay, programmable, 0.5 second to 999 hours, 10A, 240 VAC, 240 VAC 50/60 Hz



### Main

|                |  |
|----------------|--|
| Product range  | 9050JCK  |
| Product type   | Timer  |
| Timing mode    | On-delay   |
| Timing range   | 0.1...99.9 h<br>1...999 h<br>0.05...9.99 s<br>1...999 min<br>1...999 s<br>0.1...99.9 s |
| Supply voltage | 240 V AC   |

### Complementary

|                           |                      |
|---------------------------|----------------------|
| Power consumption         | 3.2 VA               |
| Current rating            | 10 A                 |
| Switch function           | DPDT                 |
| Contact composition       | 2 NO + 2 NC          |
| Contact material          | Silver nickel        |
| Maximum switching voltage | 240 V AC             |
| Mounting type             | Socket               |
| Number of pins            | 8                    |
| Shape of pins             | Tubular              |
| For use with              | 8501NR52<br>8501NR51 |

### Environment

|   |                                  |
|---|----------------------------------|
| Certifications                          | UL Recognized<br>UL Listed<br>CE |
| Ambient temperature range - operational | -18...122 °F (-28...50 °C)       |
| Height                                  | 2.36 in (60 mm)                  |
| Width                                   | 1.73 in (44 mm)                  |
| Depth                                   | 3.58 in (91 mm)                  |

### Ordering and shipping details

|                       |  |
|-----------------------|--|
| Category              | 21652 - 9050 JCK60, 70 PROGRAMMABLE TIMERS |
| Discount Schedule     | CP2  |
| GTIN                  | 785901136903                               |
| Nbr. of units in pkg. | 1  |
| Package weight(Lbs)   | 4.48 oz (127.006 g)                        |
| Returnability         | Yes  |
| Country of origin     | US   |

The information provided in this documentation contains general descriptions and/or technical characteristics of the performance of the products contained herein. This documentation is not intended as a substitute for and is not to be used for determining suitability or reliability of these products for specific user applications. It is the duty of any such user or integrator to perform the appropriate and complete risk analysis, evaluation and testing of the products with respect to the relevant specific application or use thereof. Neither Schneider Electric Industries SAS nor any of its affiliates or subsidiaries shall be responsible or liable for misuse of the information contained herein.

## Packing Units

|                        |                     |
|------------------------|---------------------|
| Unit Type of Package 1 | PCE                 |
| Package 1 Height       | 1.90 in (4.826 cm)  |
| Package 1 width        | 4.30 in (10.922 cm) |
| Package 1 Length       | 2.60 in (6.604 cm)  |

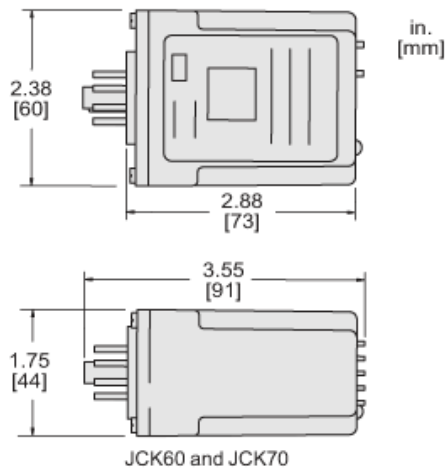
## Offer Sustainability

|                            |  |
|----------------------------|--|
| Sustainable offer status   | Green Premium product  |
| REACH Regulation           | <a href="#">REACH Declaration</a>  |
| REACH free of SVHC         | Yes  |
| EU RoHS Directive          | Pro-active compliance (Product out of EU RoHS legal scope) <a href="#">EU RoHS Declaration</a> |
| Toxic heavy metal free     | Yes  |
| Mercury free               | Yes  |
| RoHS exemption information | <a href="#">Yes</a>  |
| China RoHS Regulation      | <a href="#">China RoHS Declaration</a>   |
| Environmental Disclosure   | <a href="#">Product Environmental Profile</a>  |
| Circularity Profile        | <a href="#">End Of Life Information</a>  |

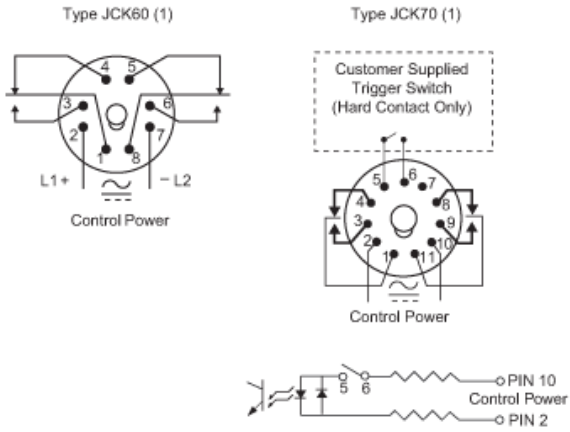
## Contractual warranty

|          |           |
|----------|-----------|
| Warranty | 18 months |
|----------|-----------|

Approximate Dimensions



Connections and Wiring Diagrams



(1) Do not apply DC voltage to the 240 Vac timers (voltage code V24).