

**MATERIALS & SPECIFICATIONS**

PART NO.	A29650-165	REV	ECO	DATE	APP
		D	104339	03-23-18	TLM

**HOUSING:**  
ALUMINUM 6061, NICKEL PLATE  
PER (500 MICROINCHES  
MINIMUM) SAE-AMS-2404.

**INSULATOR:**  
LIQUID CRYSTAL POLYMER (LCP)  
PER ASTM D5138

**CONTACT:**  
COPPER ALLOY PER MIL-DTL-  
32139, GOLD PLATED PER ASTM  
B488, (HARD GOLD) TYPE II  
CODE C CLASS 1.27

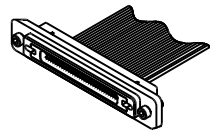
**WIRE:**  
NEMA HP3 TYPE ET, COLOR  
CODED IAW MIL-STD-681,  
SYSTEM 1, USING TEN SOLID  
REPEATING COLORS

**HARDWARE:**  
SCREW: 18-8 STAINLESS STEEL  
  
RETAINING PIN: 17-7 STAINLESS  
STEEL, PASSIVATE PER ASTM  
A967

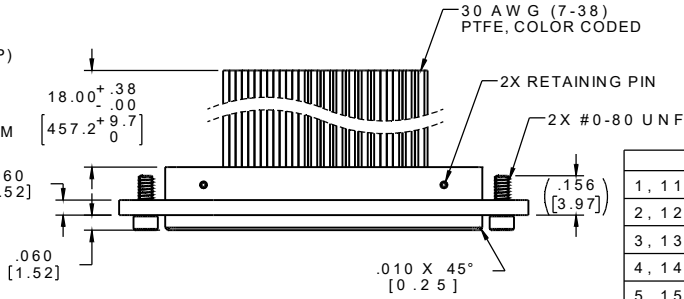
**CURRENT RATING:**  
1 AMP MAX PER MIL-DTL-32139

**CONTACT RESISTANCE:**  
71 MILLIOHM MAX (71mV DROP  
MAX) @ 1.0 AMPS PER MIL-  
DTL-32139

**PERFORMANCE:**  
PRODUCT FAMILY TESTED TO AND  
PASSED THE PERFORMANCE  
SPECIFICATIONS OF TABLE VIII OF  
MIL-DTL-32139.

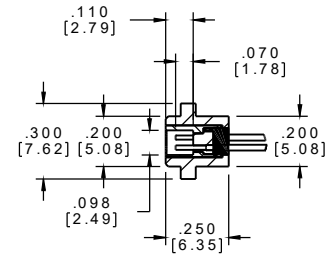
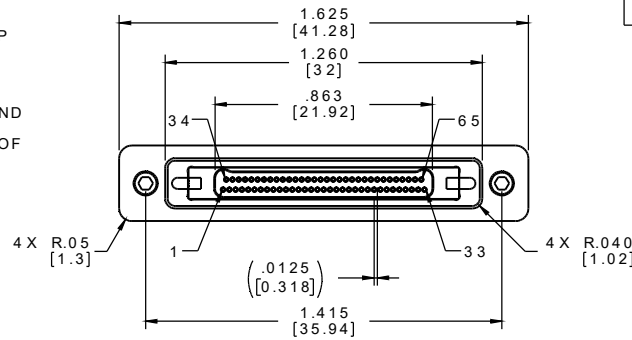


ACTUAL SIZE  
EXCLUDING WIRE LENGTH



SOCKET #	COLOR
1, 11, 21, 31, 41, 51, 61	BLACK
2, 12, 22, 32, 42, 52, 62	BROWN
3, 13, 23, 33, 43, 53, 63	RED
4, 14, 24, 34, 44, 54, 64	ORANGE
5, 15, 25, 35, 45, 55, 65	YELLOW
6, 16, 26, 36, 46, 56	GREEN
7, 17, 27, 37, 47, 57	BLUE
8, 18, 28, 38, 48, 58	VIOLET
9, 19, 29, 39, 49, 59	GRAY
10, 20, 30, 40, 50, 60	WHITE

INTERNAL USE ONLY  
USE MFG LOADING  
PROCEDURE A29000-065



NOTE:

DIMENSIONS IN [ ] ARE IN  
MILLIMETERS UNLESS  
OTHERWISE NOTED AND ARE  
FOR REFERENCE ONLY

THIRD ANGLE	
-TOLERANCES-	
UNLESS OTHERWISE NOTED	
DIMENSIONS IN INCHES	
2 P L D E C ± .01	
3 P L D E C ± .005	
4 P L D E C ± .0005	
AN G L E S ± °	

THIS DRAWING CONTAINS CONFIDENTIAL AND PROPRIETARY INFORMATION WHICH IS THE PROPERTY OF OMNETICS CONNECTOR CORP. THIS DOCUMENT MAY NOT IN WHOLE OR IN PART BE DUPLICATED, OR DISCLOSED FOR ANY PURPOSE, WITHOUT WRITTEN PERMISSION FROM OMNETICS CONNECTOR CORP.	
DFTM. JPF	DATE 4/8/2008
CHK'D.	DATE
APP'D.	DATE
TITLE: (65) SOCKET FEMALE LATCHING Bi-Lobe® CONNECTOR	

**OMNETICS**  
CONNECTOR CORPORATION  
7260 COMMERCE CIRCLE EAST  
MINNEAPOLIS, MN 55432  
WWW.OMNETICS.COM

CAGE CODE 61873	
DWG NO. A29650-165	
SHEET 1 OF 1	REV D
SCALE: 2:1	