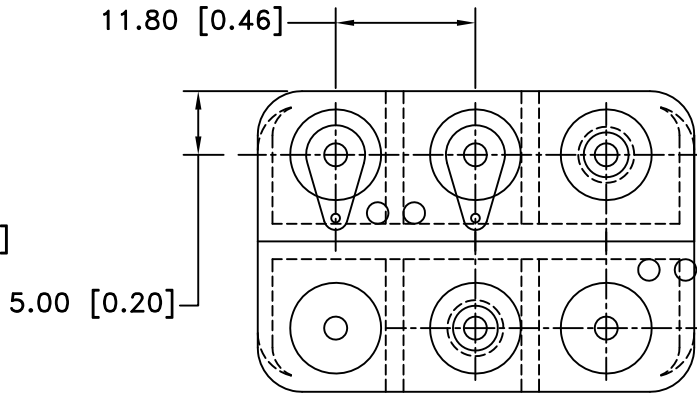
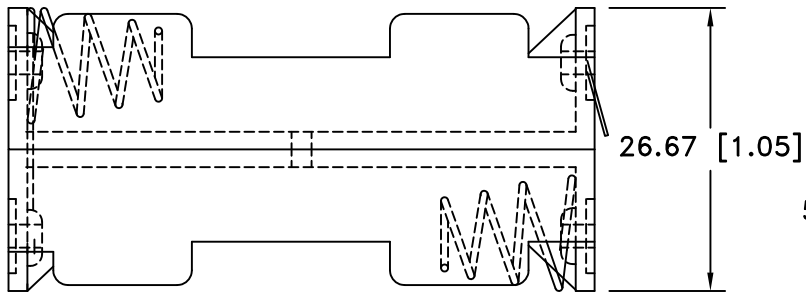
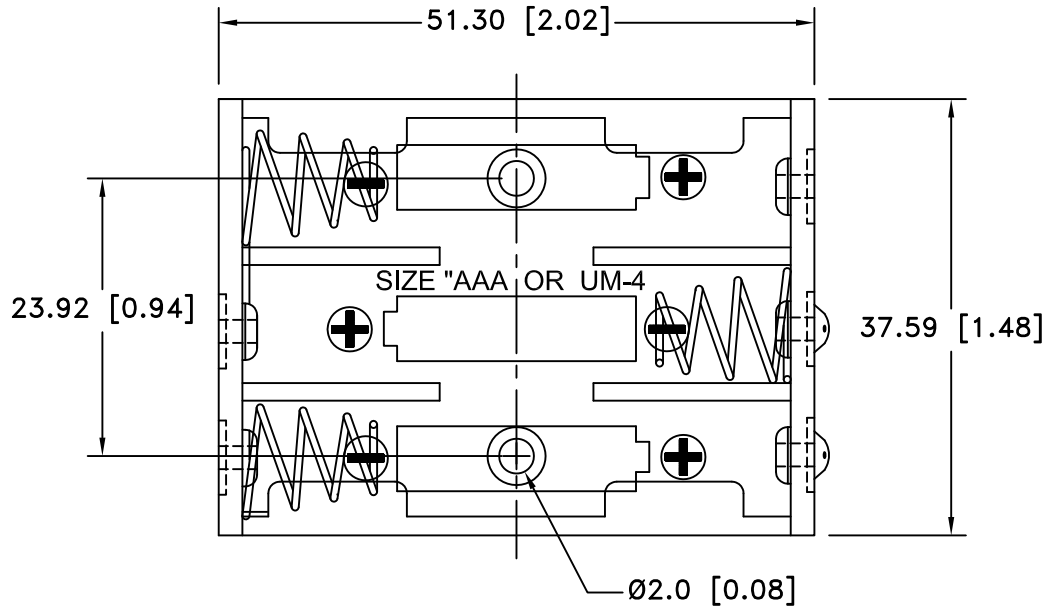



Date	SYM	REVISION RECORD	AUTH	DR.	CK.
03/29/13	A	UPDATED TO "ROHS 2 COMPLIANT"	T.B.	B.S.	



Notes:  
 Plastic material - Polypropylene  
 Flammability Rating -UL94-HB, UL File NO. E216959  
 Temperature Range: -10°C to +100°C  
 Springs - Nickel Plated Spring Steel  
 Rivets - Brass, Nickel Plated  
 Contact Resistance: Under 50mΩ for +/- contacts per EIA-540J000  
 ROHS 2 COMPLIANT

Tolerance (Except as noted)	 <b>Memory Protection Devices, Inc</b> 200 Broad Hollow Road, Farmingdale, New York 11735	Scale	Drawn By B.S.
			Approved By T.B.
decimal ±.5 (.020)	Title SIX "AAA" CELL HOLDER		
Fractional ± .8 (.030)	Date 03/29/13	Drawing Number BH26AAAL	
Angular ± 3°			