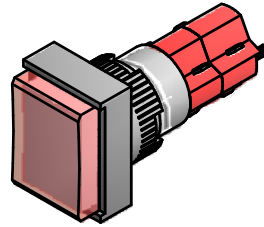
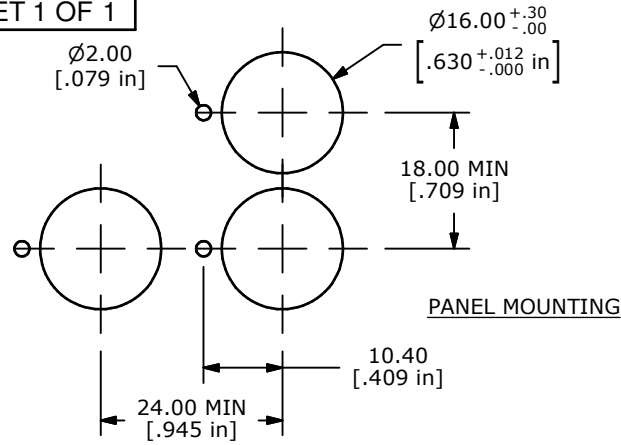
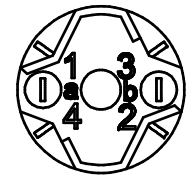
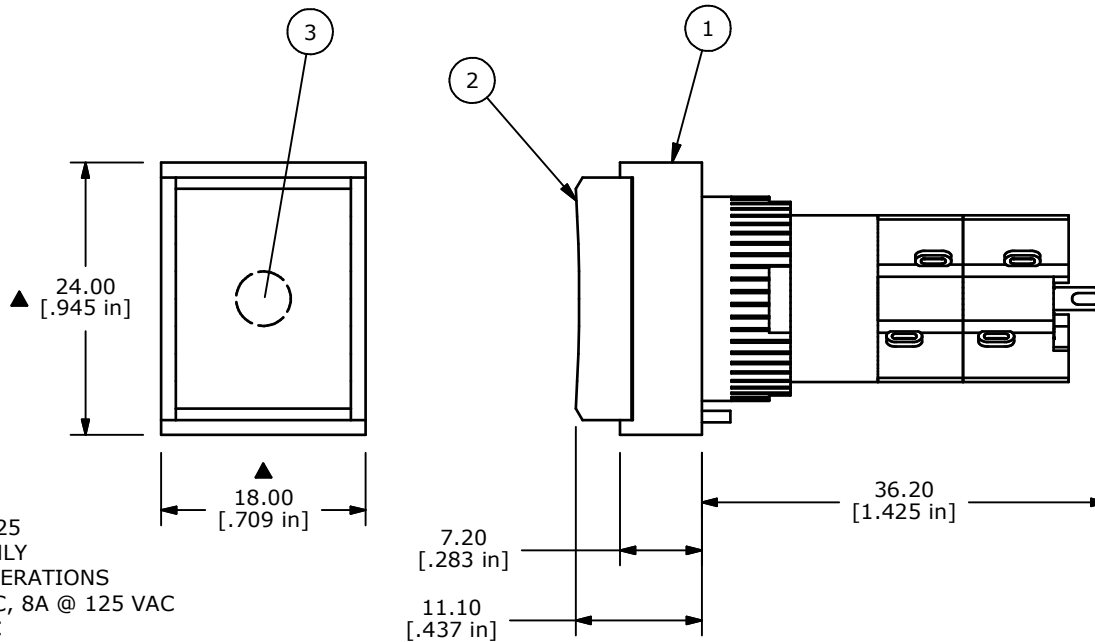
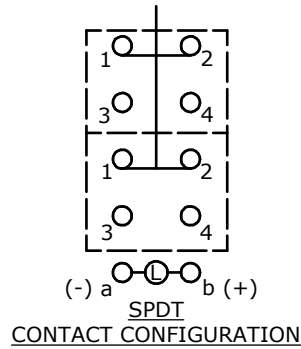


| PARTS LIST | | | | |
|------------|-----|-------------|--|--|
| ITEM | QTY | PART NUMBER | DESCRIPTION | |
| 1 | 1 | F040035 | D16OAT12 | |
| 2 | 1 | F052204 | 50-002-04 RED OPAQUE RECTANGULAR CONCAVE | |
| 3 | 1 | F050420 | 50-004-20 12VDC LED RED | |



PANEL MOUNTING



NOTE:

1. ALL DIMENSIONS IN MM [INCH]
2. GENERAL TOLERANCE: X.X=±0.4
X.XX=±0.25
3. TERMINAL NUMBERS FOR REF ONLY
4. MECHANICAL LIFE: 2,000,000 OPERATIONS
5. CONTACT RATING: 5A @ 250 VAC, 8A @ 125 VAC
6A @ 24 VDC
6. SEAL RATING: IP40
7. MOUNTING PANEL THICKNESS: 0.5 - 5.0 mm
8. INSULATION RESISTANCE: 1,000 MILLI-OHM MIN.
9. OPERATING TEMP.: -25°C to 55°C
10. FULL TRAVEL: 3.0 mm
- ▲11. LAMP VOLTAGE: 12VDC LED RED
12. ▲ DENOTES CRITICAL PARAMETER.
13. 2002/95/EC (ROHS) COMPLIANT.



| | | | | |
|-----|--------|-------------------------|--------|-----|
| A | 18418 | RELEASED FOR PRODUCTION | 3/5/09 | BLR |
| REV | PCR NO | DESCRIPTION | DATE | BY |

| | | | | |
|-----------------------|----------|-----|---------|-----|
| TITLE D16OAT12JREDRED | | | | |
| SCALE | DATE | DR | DWG | REV |
| 1.5:1 | 3/5/2009 | BLR | XF0787P | A |

THE INFORMATION CONTAINED IN THIS DOCUMENT IS PROPRIETARY TO E-SWITCH AND IS NOT TO BE COPIED OR TRANSFERRED