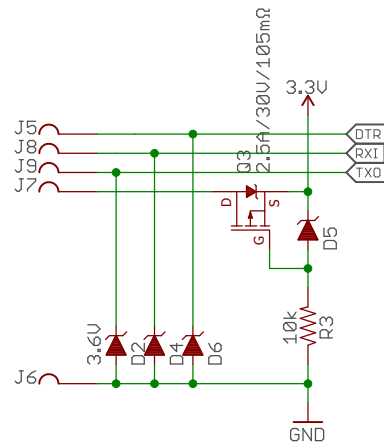
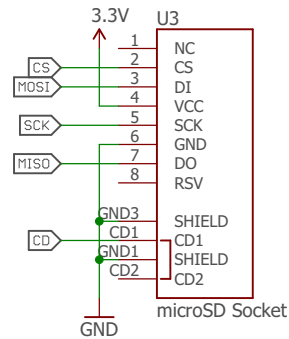


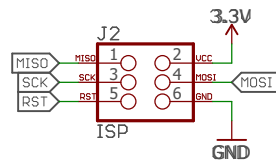
Connections:



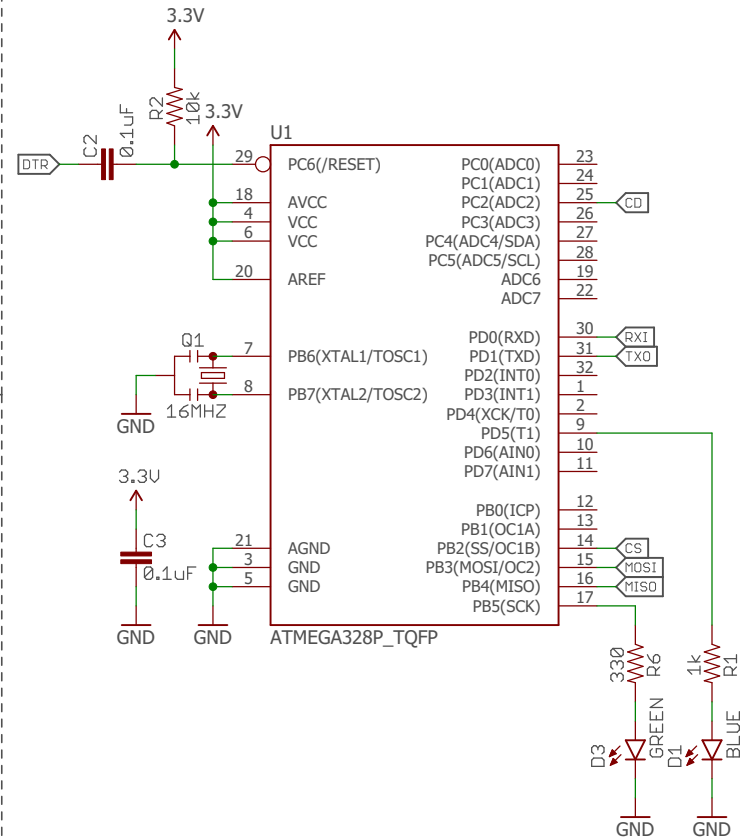
MicroSD Socket:



ISP Header:



ATMEGA328  
VIN:3.0-3.6V



Released under the Creative Commons Attribution Share-Alike 4.0 License    
<https://creativecommons.org/licenses/by-sa/4.0/>

TITLE: GatorLog

Design by: A. England    
 Original OpenLog by N. Seidle

REV:  
v10

Date: 8/28/2019 12:19 PM   Sheet: 1/1

