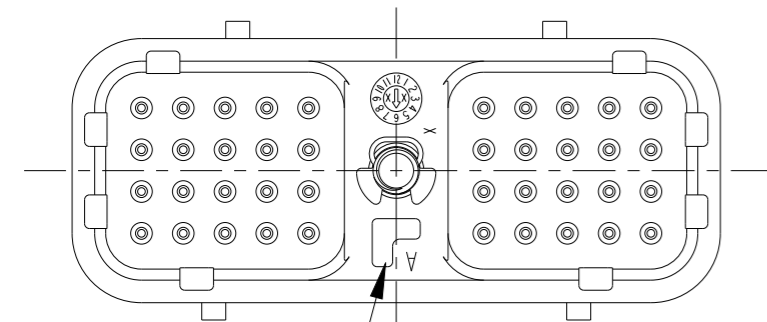
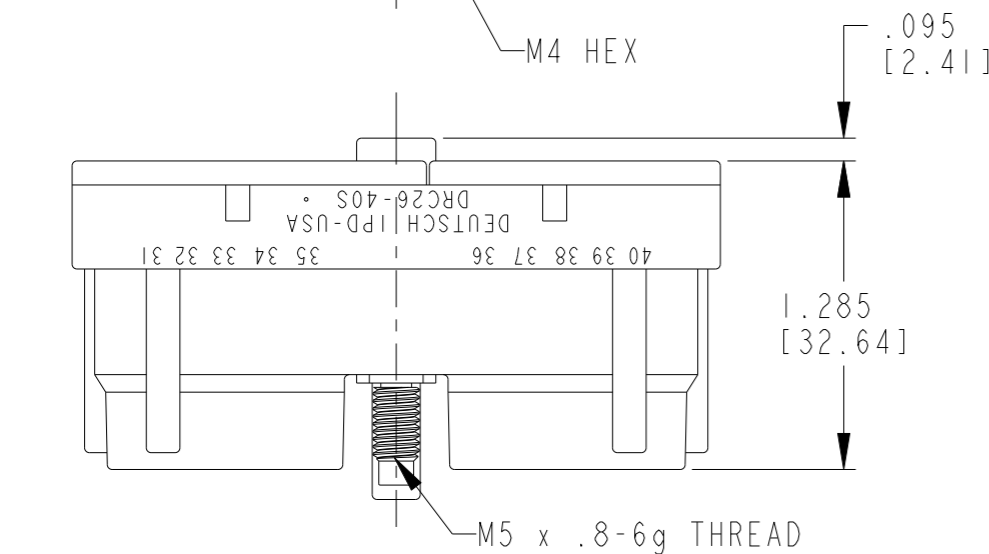
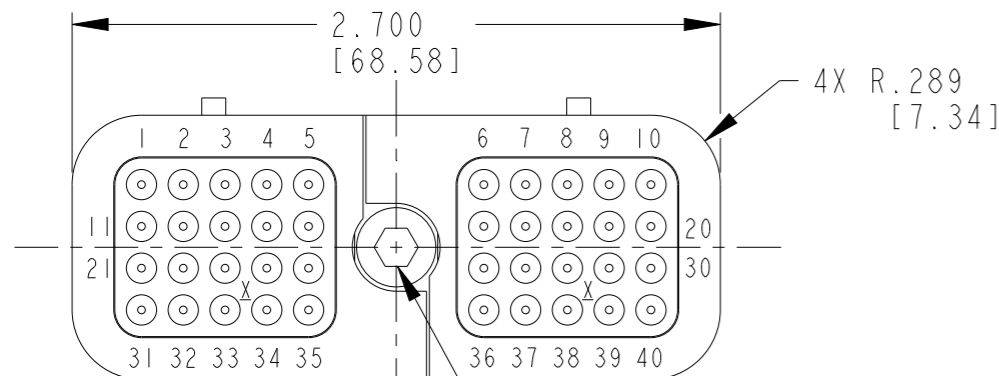
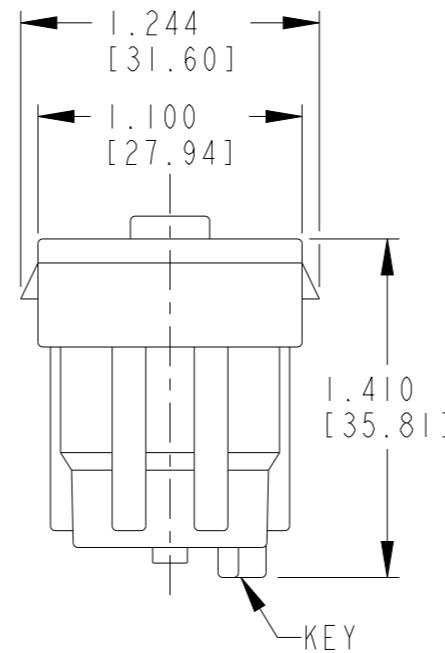


P	LTR	DESCRIPTION	DATE	DWN	APVD
	E	REVISED PER PCN-21-118564	04MAR2022	DRK	CB



SEE KEY ORIENTATION



**DRC26-40SA**

**DRC26-40SB**



**DRC26-40SC**

**DRC26-40SD**



**KEY ORIENTATION**

TCPN	ALIAS PART NUMBER
DRC26-40SA	DRC26-40SA
DRC26-40SB	DRC26-40SB
DRC26-40SC	DRC26-40SC
DRC26-40SD	DRC26-40SD

5. MATERIAL: HOUSING: PPS 40% GF (BLACK); BOLT: STEEL, TRIVALENT ZINC PLATED (ROHS COMPLIANT); CLIP: STEEL; GROMMET: VMQ

4. RECOMMENDED RETAINING BOLT TORQUE: 25-28 IN-LB [2.82-3.16 NM].

3. THIS PLUG MATES WITH DRC23-40P\*-\*\*\*\* RECEPTACLE. (\* = A,B,C,D KEYS; \*\*\*\* = ALL MODIFICATIONS)

2. FOR CONTACT AND WIRE PERFORMANCE AND APPLICATION CHARACTERISTICS SEE ENVELOPE DRAWING 0425-015-0000.

1. PLUG IS SUPPLIED WITH DUST CAP (NOT SHOWN).

NOTES: UNLESS OTHERWISE SPECIFIED

CONTACT SIZE	MIN. INSUL. O.D.	MAX. INSUL. O.D.	WIRE RANGE [mm <sup>2</sup> ] REF ONLY
20	.040 [1.016]	.095 [2.413]	16-20 AWG [1.0-0.5]

THIS DRAWING IS A CONTROLLED DOCUMENT.		DWN D MEYER 30NOV2005				
DIMENSIONS: INCHES [mm]		CHK R MESSENGER 31MAR2005				
TOLERANCES UNLESS OTHERWISE SPECIFIED:		APVD R REED 31MAR2005				
0 PLC ±- 1 PLC ±- 2 PLC ±- 3 PLC ±.025 [.635] 4 PLC ±- ANGLES ±- FINISH - -		NAME PLUG 40 CONTACTS, SIZE 20 DRC SERIES PRODUCT SPEC 108-151052 APPLICATION SPEC - WEIGHT -				
MATERIAL	5	CUSTOMER DRAWING	SIZE A3	CAGE CODE 00779	DRAWING NO. DRC26-40SX	RESTRICTED TO -
			SCALE 5:4	SHEET 1 OF 1	REV E	