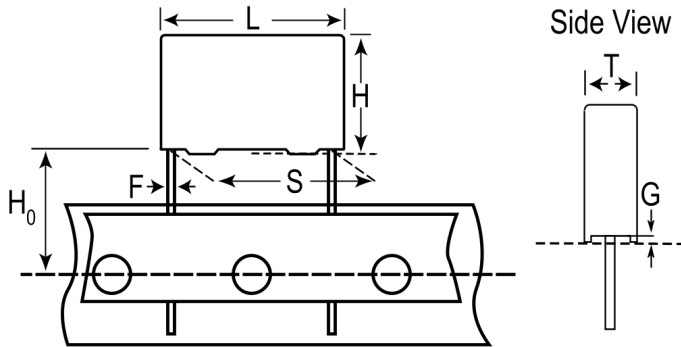


## F871DB683K330L

F871, Film, Metallized Polypropylene, Safety, 0.068 uF, 10%, 330 VAC (X1), 800 VDC, 110°C, Lead Spacing = 22.5mm



Click [here](#) for the 3D model.

### Dimensions

L	26mm -0.5mm
H	14.5mm -0.5mm
T	6mm -0.5mm
S	22.5mm +0.6/-0.1mm
H <sub>0</sub>	18.5mm +/-0.5mm
F	0.8mm +/-0.05mm
G	0.5mm NOM

### Packaging Specifications

Packaging	T&R
Packaging Quantity	300

### General Information

Series	F871
Dielectric	Metallized Polypropylene
Style	Radial
Features	MKP EMI Safety
RoHS	Yes
Lead	Wire Leads
Safety Class	X1
Qualifications	ENEC, UL, cUL, CQC
AEC-Q200	No
THB Performance	No
Component Weight	4.673 g
Miscellaneous	ClimCat: 40/110/56/B.
Shelf Life	104 Weeks

### Specifications

Capacitance	0.068 uF
Capacitance Tolerance	10%
Voltage AC	330 VAC (X1)
Voltage DC	800 VDC
Temperature Range	-40/+110°C
Rated Temperature	110°C
Dissipation Factor	0.3% 1KHz
Insulation Resistance	30 GOhms
Max dV/dt	200 V/us

Statements of suitability for certain applications are based on our knowledge of typical operating conditions for such applications, but are not intended to constitute - and we specifically disclaim - any warranty concerning suitability for a specific customer application or use. This information is intended for use only by customers who have the requisite experience and capability to determine the correct products for their application. Any technical advice inferred from this information or otherwise provided by us with reference to the use of our products is given gratis, and we assume no obligation or liability for the advice given or results obtained.