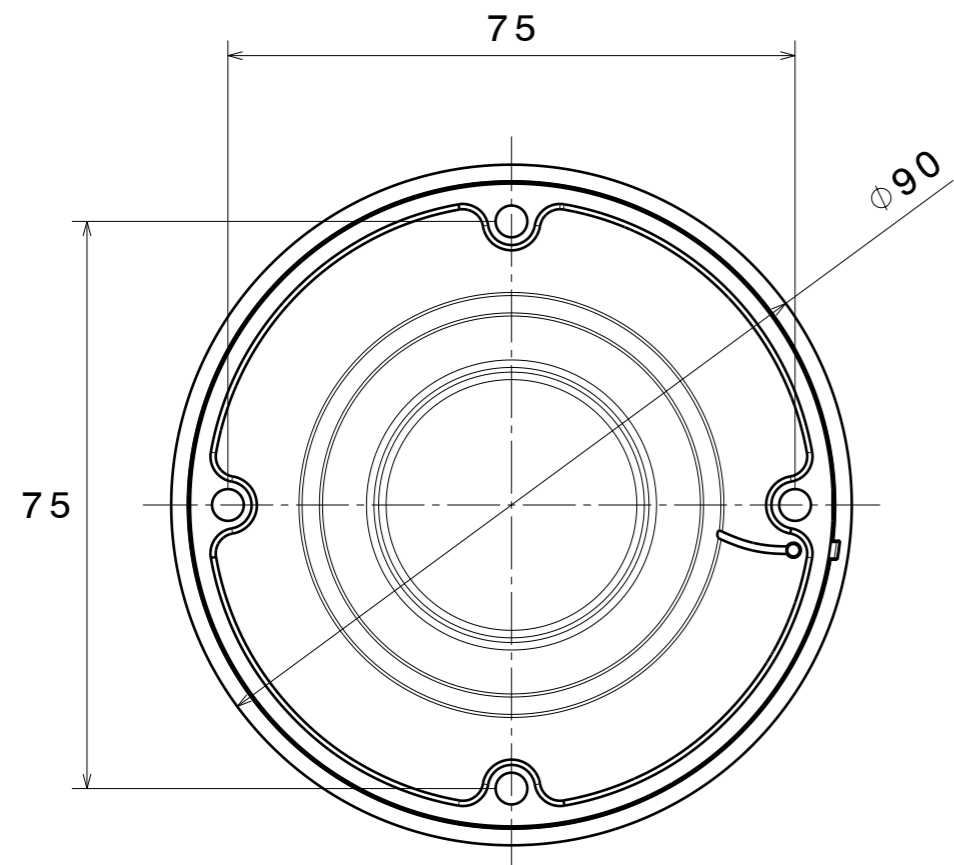
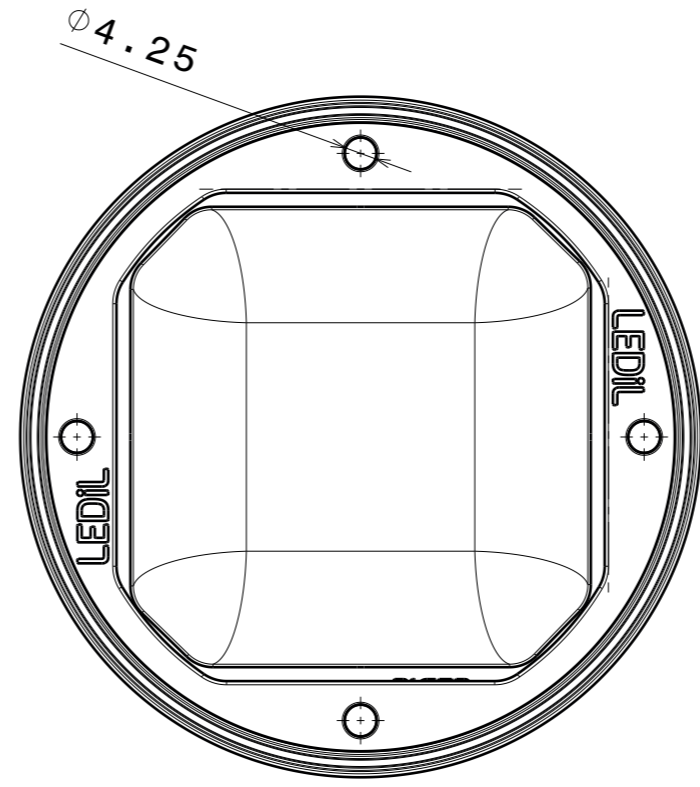


H G F E D C B A

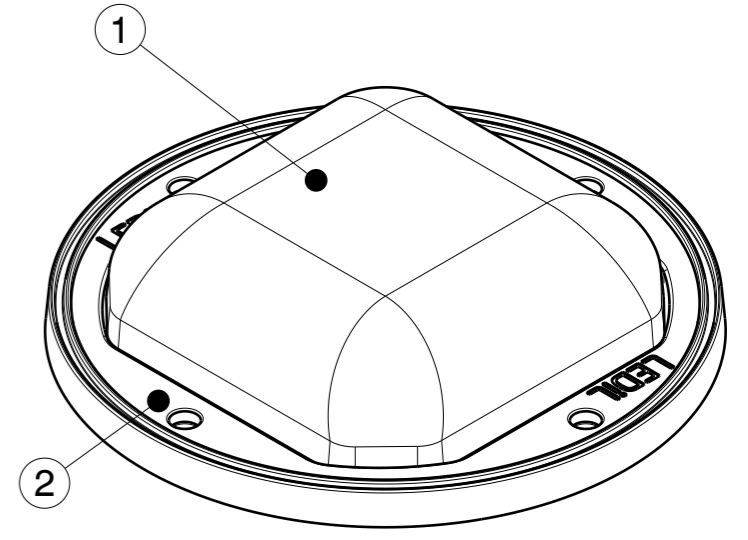
NOTE: Maximum recommended tightening torque for STELLA-FRAME is 0,4Nm



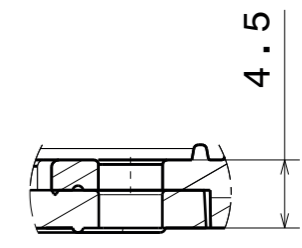
Bottom view



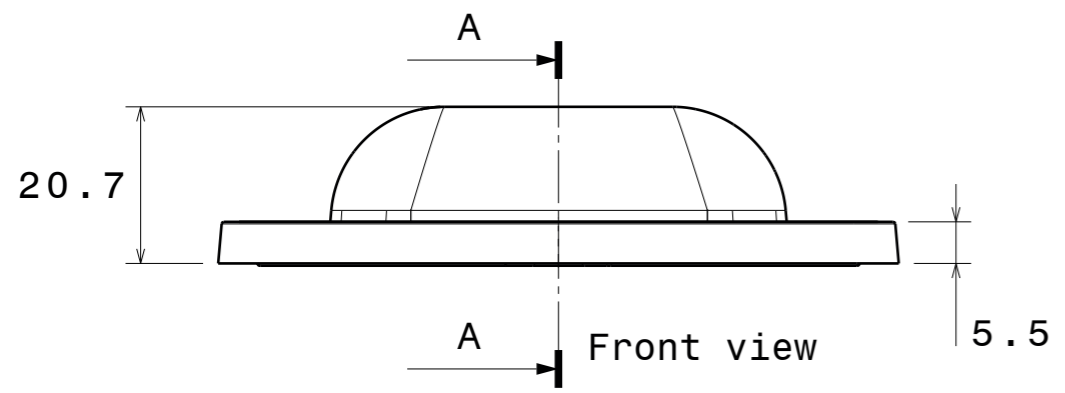
Top view



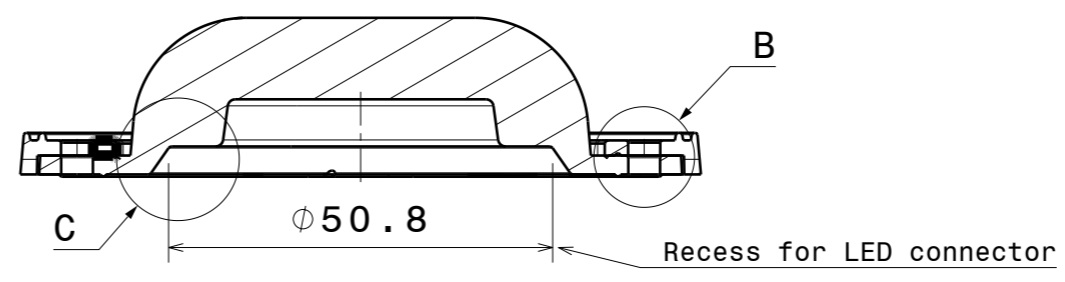
Isometric view



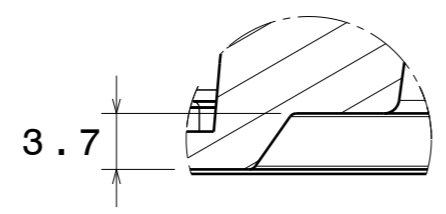
Detail B



Front view



Section view A-A



Detail C

INDEX	PART NO	DESCRIPTION	MATERIAL	COLOUR
1	F15175	STELLA-VSM	Optical grade LSR	
2	F13322	STELLA-FRAME	PA66GF30	black

Tolerances if not otherwise shown
 According to DIN ISO 2768-1
 Linear measures:
 Up to 30mm class M, otherwise class C.
 According to DIN ISO 2768-2
 Form and position: class L

LEDiL LediL Oy
 Salorankatu 10
 FIN 24240 SALO
 Finland

THIRD ANGLE PROJECTION:

DRAWING TITLE
FN15379_STELLA-VSM

This drawing is the property of LEDiL Oy. It may not be reproduced, copied or communicated without a written agreement with LEDiL Oy.

SIZE PART NUMBER
A3 FN15379

SCALE 1:1 WEIGHT 58,3 g SHEET 1/1

H G B A