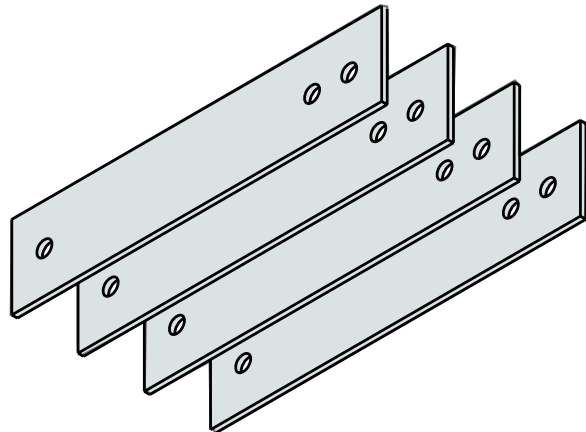
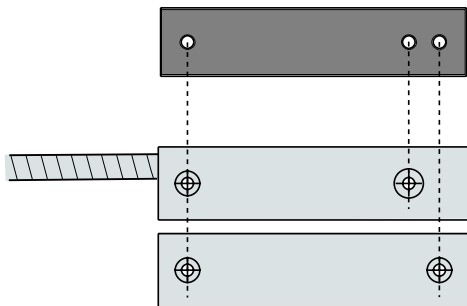


Universal Spacers for MAGNASPHERE L1.5 Models

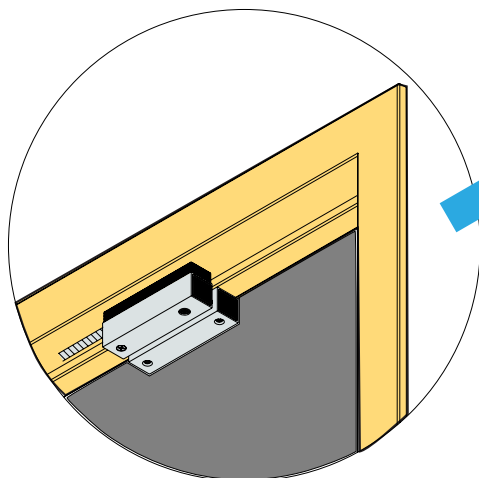
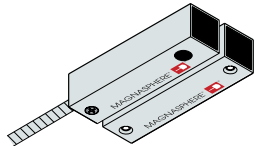
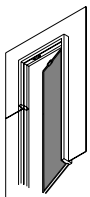
Set of 4: each 1/16" (1.5mm) thick, **Part. No. 1270**



Best Use of Spacers for L1.5 Installation Alignment

Out-Swinging Installation

(Switch affixed to door stop. Magnet mounted to door using bottom-mount holes. Labels facing downward.)



In-Swinging Door Installation

(Switch affixed to door frame. Magnet mounted to door by front-mounting holes. Labels facing horizontally outward.)

