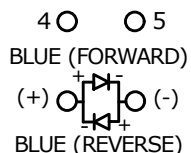
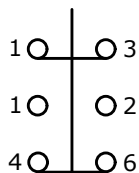
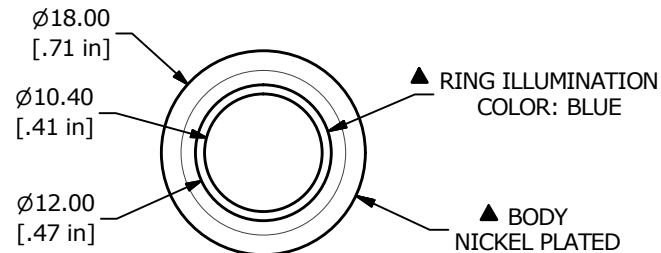
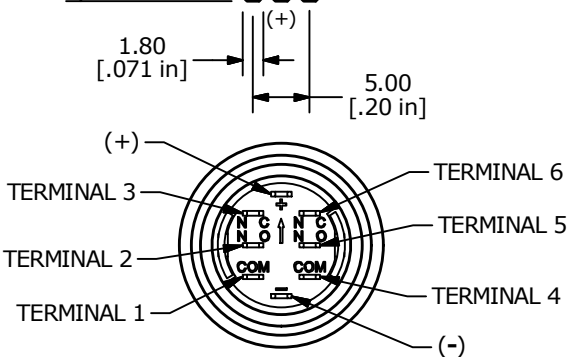
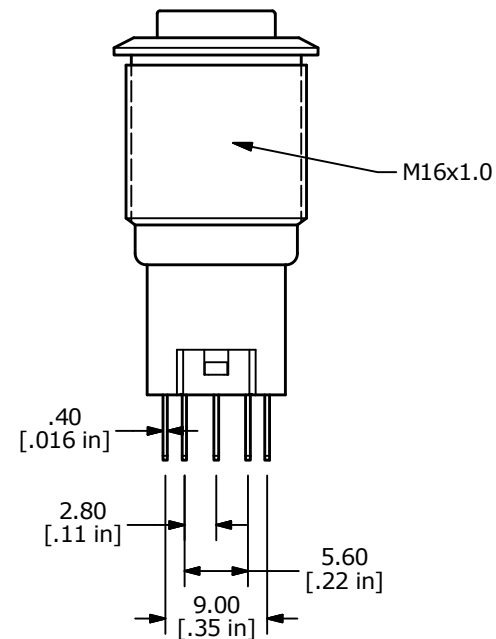
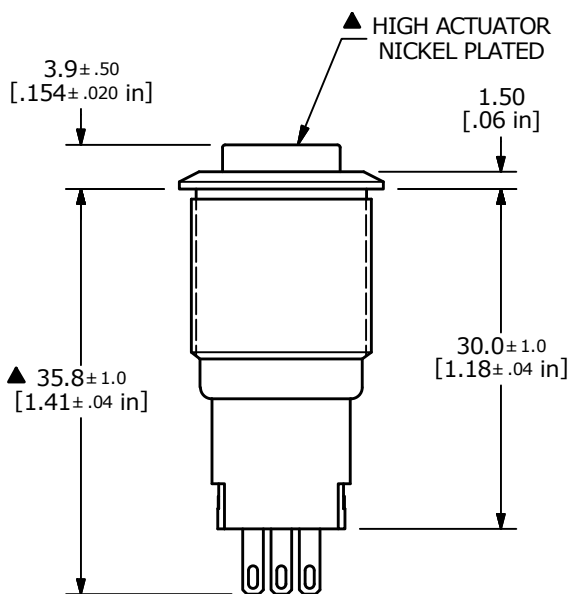


PANEL CUTOUT  
MAX. PANEL THICKNESS  
14.0mm [.55]



▲ DPDT ON-(ON)  
CONTACT CONFIGURATION



SWITCH FUNCTION	
POS. 1	POS. 2
ON	(ON)
1-3, 4-6	1-2, 4-5

(ON) = MOMENTARY

NOTE:

- ALL DIMENSIONS IN MM [INCH]
- GENERAL TOLERANCE: X.X = ±0.4  
X.XX = ±0.25
- TERMINAL NUMBERS FOR REF ONLY
- CONTACT MATERIAL: SILVER
- RATING: 2A 48VDC
- ELECTRIC LIFE: 50,000 MAKE-AND-BREAK CYCLES AT FULL LOAD.
- INSULATION RESISTANCE: 1,000 MΩ MIN.
- DIELECTRIC STRENGTH: 2,000 VAC MIN. FOR 1 MINUTE
- CONTACT RESISTANCE: 50mΩ MAX. @ 1A 12VDC
- OPERATING TEMP.: -20°C to 55°C
- ▲ DENOTES CRITICAL PARAMETER.
- HARDWARE SUPPLIED: O-RING AND HEXNUT
- INGRESS RATING: IP40
- LAMP VOLTAGE: 2.8V

REV	PCR NO	DESCRIPTION	DATE	BY
G	23610	update +/- Terminals	10/9/18	MW
F	23364	UPDATED RATING TO 2A 48VDC	5/14/18	MJR
E	22887	UPDATED RATING TO 1A 24VDC	6/19/17	MJR



TITLE PV3H2H0NN-341				
SCALE 3:2	DATE 1/30/2012	DR BMA	DWG 52-PV3H2H0NN341	REV G

THE INFORMATION CONTAINED IN THIS DOCUMENT IS PROPRIETARY TO E-SWITCH AND IS NOT TO BE COPIED OR TRANSFERRED