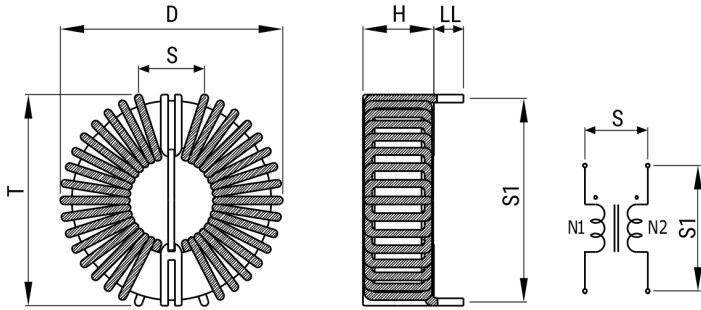


## SCR31HA-120-1R3A012H

Aliases (UALF41R3A012JH)

KEMET, SCR-H, AC Line Filters, Common Mode, 1.2 mH



Click [here](#) for the 3D model.

### Dimensions

D	39mm MAX
T	38mm MAX
H	15.5mm MAX
LL	5mm +/-2mm
S	10mm NOM
S1	35mm NOM
Wire Size	1.3mm

### Packaging Specifications

Packaging	Tray
Packaging Quantity	125
Component Weight	31.6 g

### General Information

Series	SCR-H
Style	Through-Hole
Features	High Impedance, Space Saving
RoHS	Yes
Miscellaneous	Temperature Rise Maximum: 60 K.
Core	Mn-Zn Ferrite

### Specifications

Voltage AC	250 VAC
Voltage DC	250 VDC
Inductance	1.2 mH
Current	12 A
Temperature Range	-25/+120°C
DC Resistance	9.6 mOhms