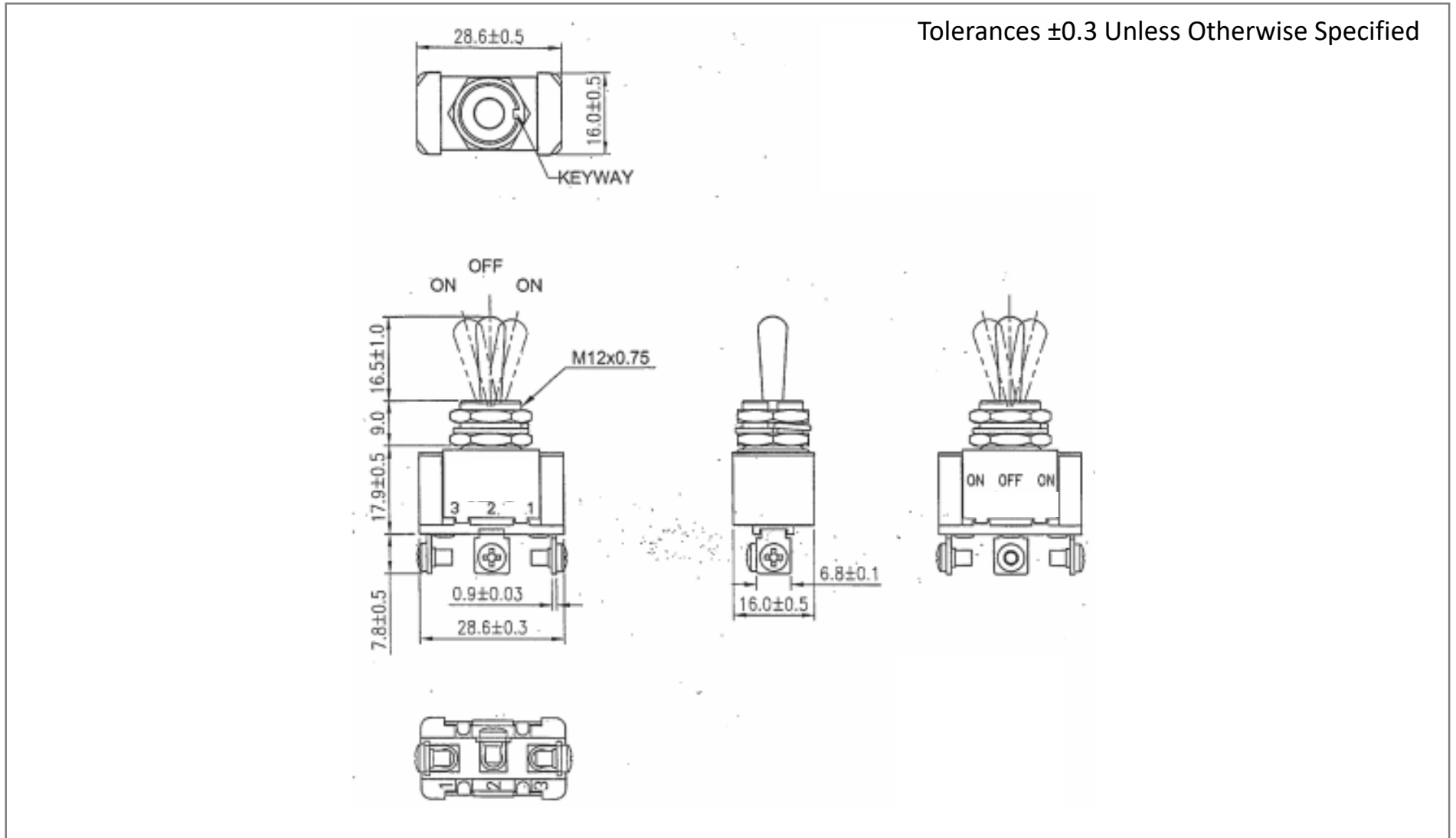
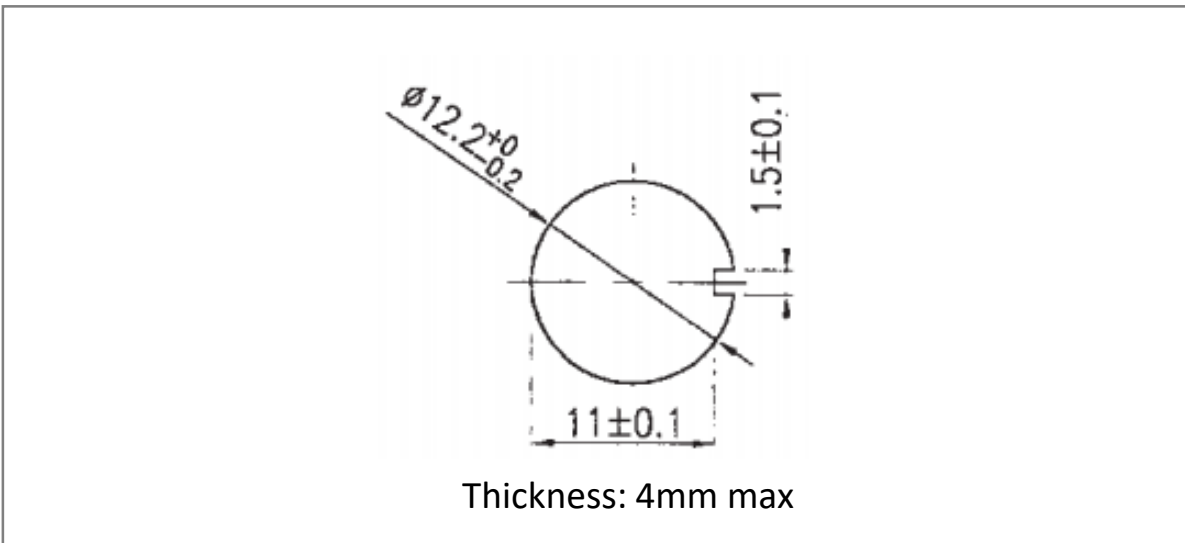


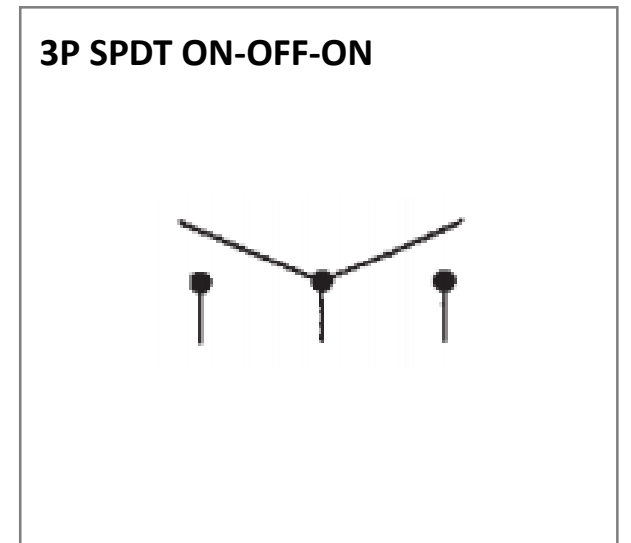
Mechanical Dimensions (mm)



Mounting Hole



Circuit Diagram



Electrical Specifications

| | |
|------------------------------|------------------------|
| Rating | 20A 12V DC, 10A 24V DC |
| Contact Resistance | 50m ohm Max. |
| Insulation Resistance | DC 500V 100M ohm Min. |
| Dielectric Strength | AC 1500V 1 minute |
| Operation Temperature | 0°C~65°C |

Material Specifications

| |
|----------------------|
| 2 HEX NUT ASSY |
| 1 SPRING WASHER ASSY |
| |
| |