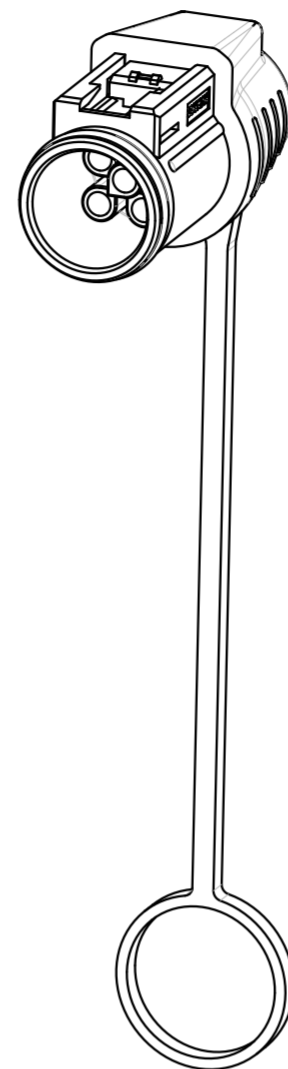
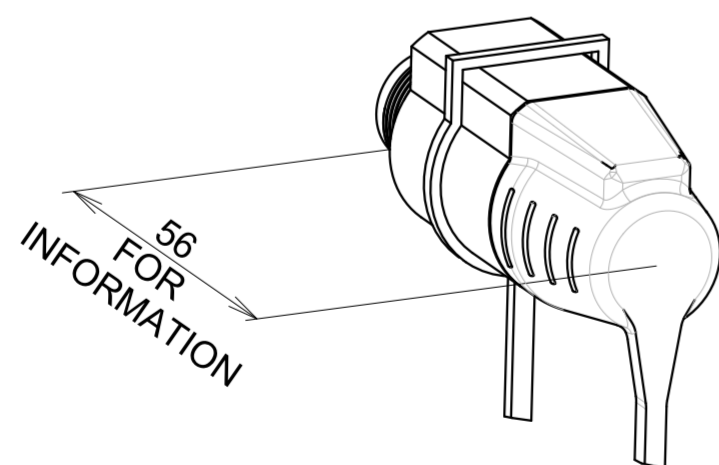


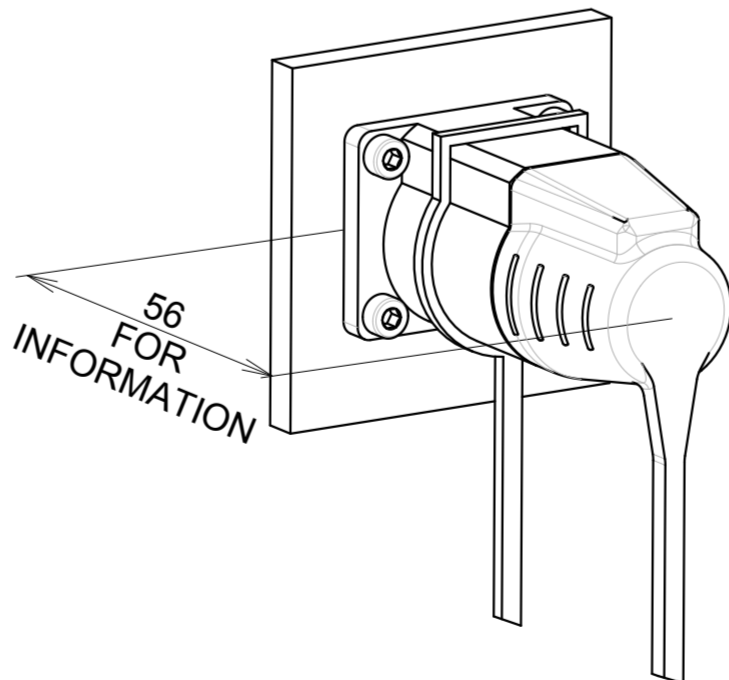
FOR MALE RECEPTACLE
P/N : UTL103G1PDCG68



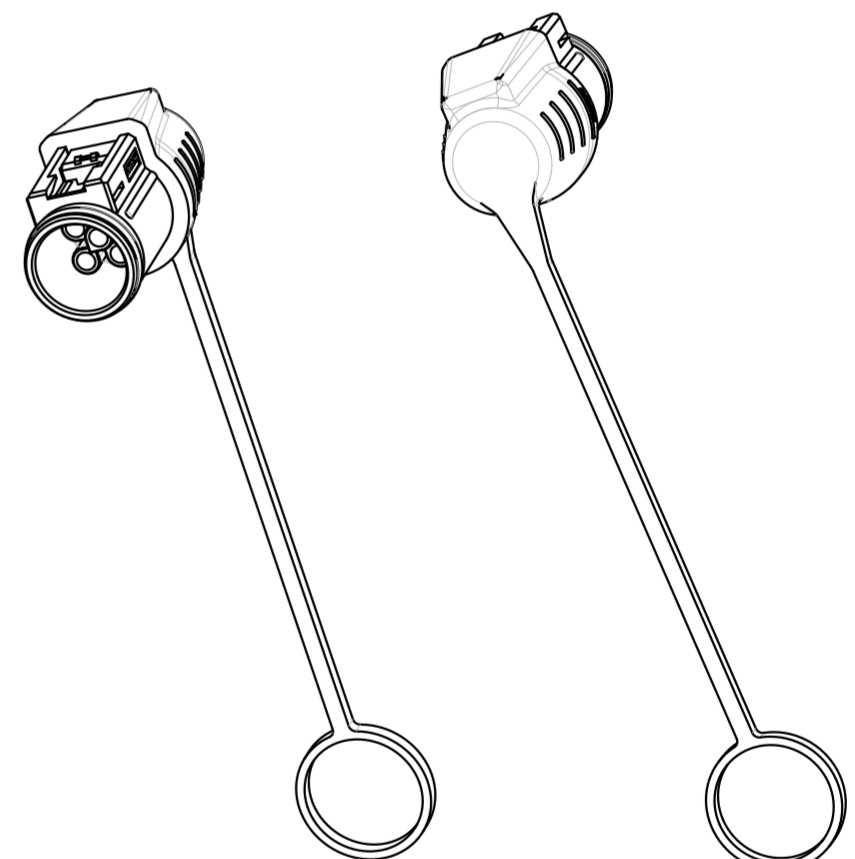
FOR FEMALE RECEPTACLE
P/N : UTL103G1SDCG68



VIEW IN MATED CONDITIONS
WITH TYPE 1/ TYPE 7 RECEPTACLE



VIEW IN MATED CONDITIONS
WITH TYPE 0 RECEPTACLE



P/N : SEE VIEW

MATERIAL :

CONNECTOR SHELL : POLYAMID GLASS REINFORCED, BLACK COLOR
REAR LINK : EPDM
O'RING : LUBRICATED SILICONE
SEALS : SILICONE

PERFORMANCE CHARACTERISTICS :

MECHANICAL		
TEMPERATURE CLASS	IEC61984/UL1977	-40°C TO 105°C
DURABILITY	IEC61984	500 MATE / UNMATE CYCLES
SEALING IN MATED CONDITIONS	IEC60529	IP68 1BAR DURING 1WEEK
	DIN40050	IP69K
		MIN 1000H

CORROSION SALT SPRAY

ROHS COMPLIANT

UNIT IN MM

a	28/01/2013	First issue	
ISS	DATE	Latest modification - by:	MOD N°
Designed by: R. M.		Date: 28/01/2013	CUSTOMER DRAWING
TITLE		IP68 LEVEL CAP FOR UTL RECEPTACLE UTL CONNECTOR	
Scale	1/1	General linear Tolerances: ± 0.3	NPRDS / PROJECT UTL
SOURIAU WWW.SOURIAU.COM		This document is the property of SOURIAU It must not be reproduced or communicated without permission	
FORMAT	SOURIAU DRG N°		SHEET
A2	UTL1-0044A-C01		1/1