

Blanking plug

WJ-D VPA x

Blanking plug

Polyamide PA6 GF30

Properties

Temperature range

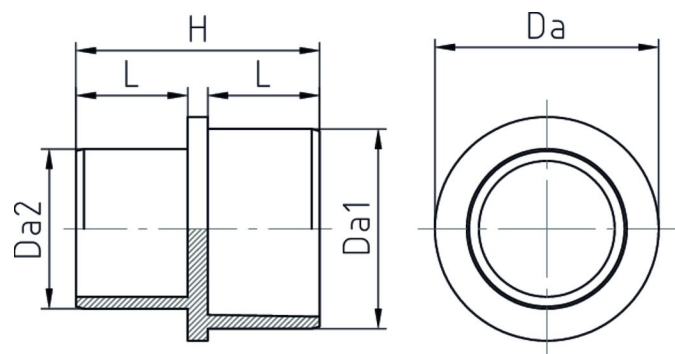
- single part for use in combination with PERFECT cable gland

-40 °C

+100 °C

Comment


choose the corresponding blanking plug so, that Da1 or Da2 is at most 1 mm smaller than $\varnothing C_{max}$.



Features





RAL 9005

Size	L	H	Da	Da1	Da2	 VPE	Part No.
1	6	14	8,5	6,5	5	50	WJ-D VPA 1/SW
2	7	16	10	8	6	50	WJ-D VPA 2/SW
3	8	18	12	10	7	50	WJ-D VPA 3/SW
4	9	20	14	12	9	50	WJ-D VPA 4/SW
5	10	22,5	16	14	12	50	WJ-D VPA 5/SW
6	12	26,5	20	18	16	25	WJ-D VPA 6/SW



RAL 7035

Size	L	H	Da	Da1	Da2	 VPE	Part No.
1	6	14	8,5	6,5	5	50	WJ-D VPA 1
2	7	16	10	8	6	50	WJ-D VPA 2

Size	L	H	Da	Da1	Da2	 VPE	Part No.
3	8	18	12	10	7	50	WJ-D VPA 3
4	9	20	14	12	9	50	WJ-D VPA 4
5	10	22,5	16	14	12	50	WJ-D VPA 5
6	12	26,5	20	18	16	25	WJ-D VPA 6
7	14	30,5	28	25	20	10	WJ-D VPA 7