

NOTES:

- ① DATE CODE
 - *** WORKING DAY
 - WORKING MONTH
 - WORKING YEAR
- ② INSULATOR OVERHANGS ALL EXTERNAL EDGES.
- 3. 6-32 UNC MIN. 2MM THREAD DEPTH
- 4. PART IS COMPLIANT TO RoHS DIRECTIVE 2002/95/EC AND ELV 2000/53/EC.
- ⑤ SCREWS ARE PACKAGED INTO PLASTIC BAG AND SHIPPED WITH BACKPLATE.

SEE DETAIL 2

PARTS LIST			
ITEM NO	QTY	DESCRIPTION	MATERIAL
	1	TOP ASSY W/SCREWS(47596-***33 OR 47596-***38)	
①	1	115X BACK PLATE ASSY (47596-***23)	BACK PLATE(STEEL WITH NICKEL PLATING) INSULATOR(POLYCARBONATE FILM)
②	1	SHOULDER SCREW 6-32 (475976**1)	LOW CARBON STEEL WITH NICKEL PLATING
③	2	PANHEAD SCREW 6-32(475976**2)	LOW CARBON STEEL WITH NICKEL PLATING

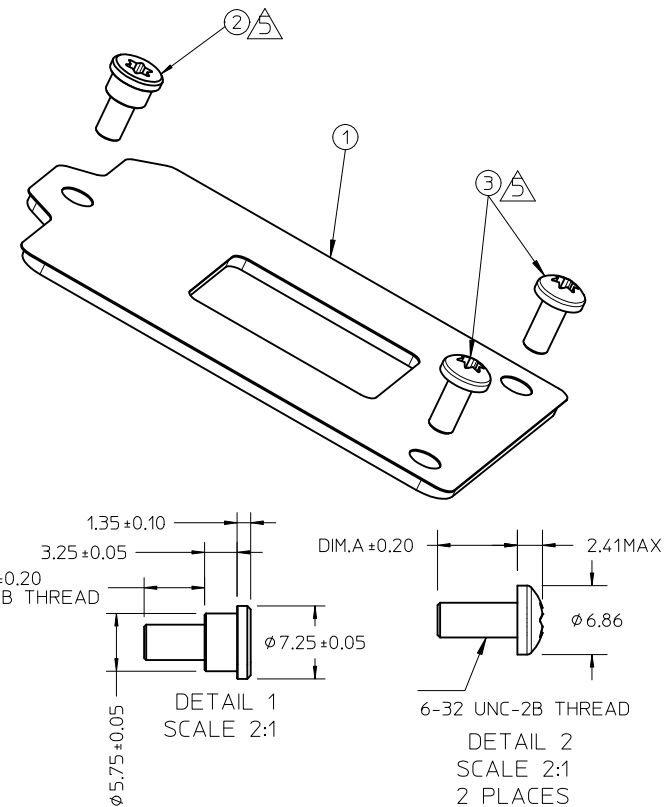
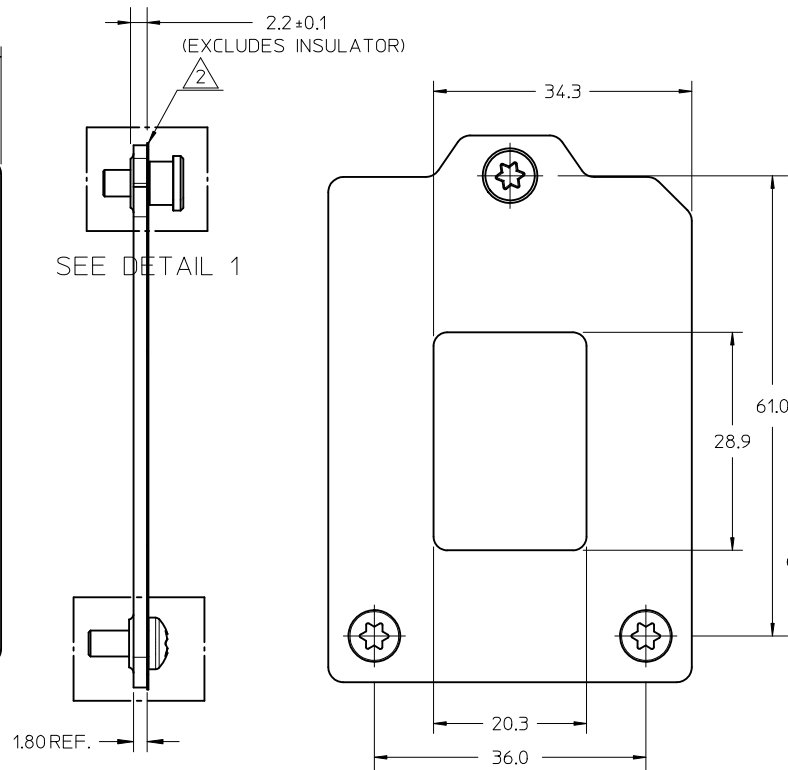
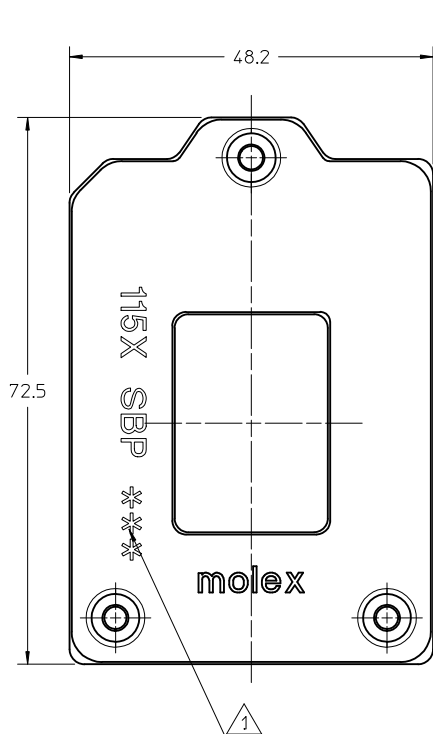
ENTER DESCRIPTION EC NO: SH2012-0146 DRWN:ZHANG11 2011/11/17 CHKD: APPR:AYIN 2011/12/30	QUALITY SYMBOLS	GENERAL TOLERANCES (UNLESS SPECIFIED)	DIMENSION STYLE	SCALE	DESIGN UNITS	THIRD ANGLE PROJECTION
	$F_{\Delta}=0$	4 PLACES ± --- ± ---	MM ONLY	1.5:1	METRIC	
	$F_{\square}=0$	3 PLACES ± --- ± ---	DRAWN BY DATE	TITLE	115X BACK PLATE ASSY WITH SCREWS FOR 1U SERVER	
	$F_{\circ}=0$	2 PLACES ± 0.13 ± --- 1 PLACE ± 0.25 ± ---	CHECKED BY DATE	APPROVED BY DATE	MOLEX MOLEX INCORPORATED	

ANGULAR ± 1/2°	DRAFT WHERE APPLICABLE MUST REMAIN WITHIN DIMENSIONS
----------------	--

WFDENG	2010/07/09
MATERIAL NO. SEE TABLE	
SIZE A3	THIS DRAWING CONTAINS INFORMATION THAT IS PROPRIETARY TO MOLEX INCORPORATED AND SHOULD NOT BE USED WITHOUT WRITTEN PERMISSION

DOCUMENT NO. SD-47596-108	SHEET NO. 1 OF 1
---------------------------	------------------

PART NO.	DESCRIPTION	PCB THICKNESS	DIM.A	DIM.B
47596-8838	WITH HALOGEN FREE	2.00(0.079")	5.6	4.22
47596-8833	WITH HALOGEN FREE	1.57(0.062")	5.17	3.8



NOTES:

- 1. DATE CODE
 - *** WORKING DAY
 - *** WORKING MONTH
 - *** WORKING YEAR
- 2. INSULATOR OVERHANGS ALL EXTERNAL EDGES.
- 3. 6-32 UNC MIN. 2MM THREAD DEPTH
- 4. PART IS COMPLIANT TO RoHS DIRECTIVE 2002/95/EC AND ELV 2000/53/EC.
- 5. SCREWS ARE PACKAGED INTO PLASTIC BAG AND SHIPPED WITH BACKPLATE.

SEE DETAIL 2

PARTS LIST			
ITEM NO	QTY	DESCRIPTION	MATERIAL
	1	TOP ASSY W/SCREWS(47596-***33 OR 47596-***38)	
①	1	115X BACK PLATE ASSY (47596-***23)	BACK PLATE(STEEL WITH NICKEL PLATING) INSULATOR(POLYCARBONATE FILM)
②	1	SHOULDER SCREW 6-32 (475976**1)	LOW CARBON STEEL WITH NICKEL PLATING
③	2	PANHEAD SCREW 6-32(475976**2)	LOW CARBON STEEL WITH NICKEL PLATING

ENTER DESCRIPTION EC NO: SH2012-0146 DRWN:ZHANG11 2011/11/17 CHKD: APPR:AYIN 2011/12/30	QUALITY SYMBOLS	GENERAL TOLERANCES (UNLESS SPECIFIED)	DIMENSION STYLE	SCALE	DESIGN UNITS	THIRD ANGLE PROJECTION
	$F_{\Delta}=0$	4 PLACES ± --- ± ---	MM ONLY	1.5:1	METRIC	
	$F_{\square}=0$	3 PLACES ± --- ± ---	DRAWN BY DATE	TITLE	115X BACK PLATE ASSY WITH SCREWS FOR 1U SERVER	
	$F_{\circ}=0$	2 PLACES ± 0.13 ± ---	CHECKED BY DATE			
	1 PLACE ± 0.25 ± ---	APPROVED BY DATE			MOLEX INCORPORATED	
	ANGULAR ± 1/2°	WFDENG 2010/07/09				
		MATERIAL NO.	SEE TABLE	DOCUMENT NO.	SD-47596-108	

DRAFT WHERE APPLICABLE
MUST REMAIN
WITHIN DIMENSIONS

SIZE	A3	THIS DRAWING CONTAINS INFORMATION THAT IS PROPRIETARY TO MOLEX INCORPORATED AND SHOULD NOT BE USED WITHOUT WRITTEN PERMISSION
------	----	---

PART NO.	DESCRIPTION	PCB THICKNESS	DIM.A	DIM.B
47596-8838	WITH HALOGEN FREE	2.00(0.079")	5.6	4.22
47596-8833	WITH HALOGEN FREE	1.57(0.062")	5.17	3.8