

注記 NOTES

- △1 ロック窓 LOCKING WINDOW:
ロック窓は、2、3極では1ヶ所、4極以上では2ヶ所とする。
ONE PLACE FOR 2 AND 3 CIRCUIT.
TWO PLACES FOR 4 CIRCUIT AND MORE.
- △2 材料およびめっき仕様：TABLE1参照
MATERIAL AND PLATING: REFER TO TABLE1
- △3 適用製品及び各種仕様書はSHEET 2を参照のこと
REFER TO SHEET 2 ABOUT APPLICABLE PRODUCTS AND VARIOUS SPECIFICATIONS
- 4. 本製品は金めっき品です。錫めっき品は530480001-SDをご参照ください。
THIS PRODUCT IS GOLD PLATING TYPE.
PLEASE REFER TO 530480001-SD FOR TIN PLATING TYPE.

△5 発注番号
ORDER NO.
53048 * 0**

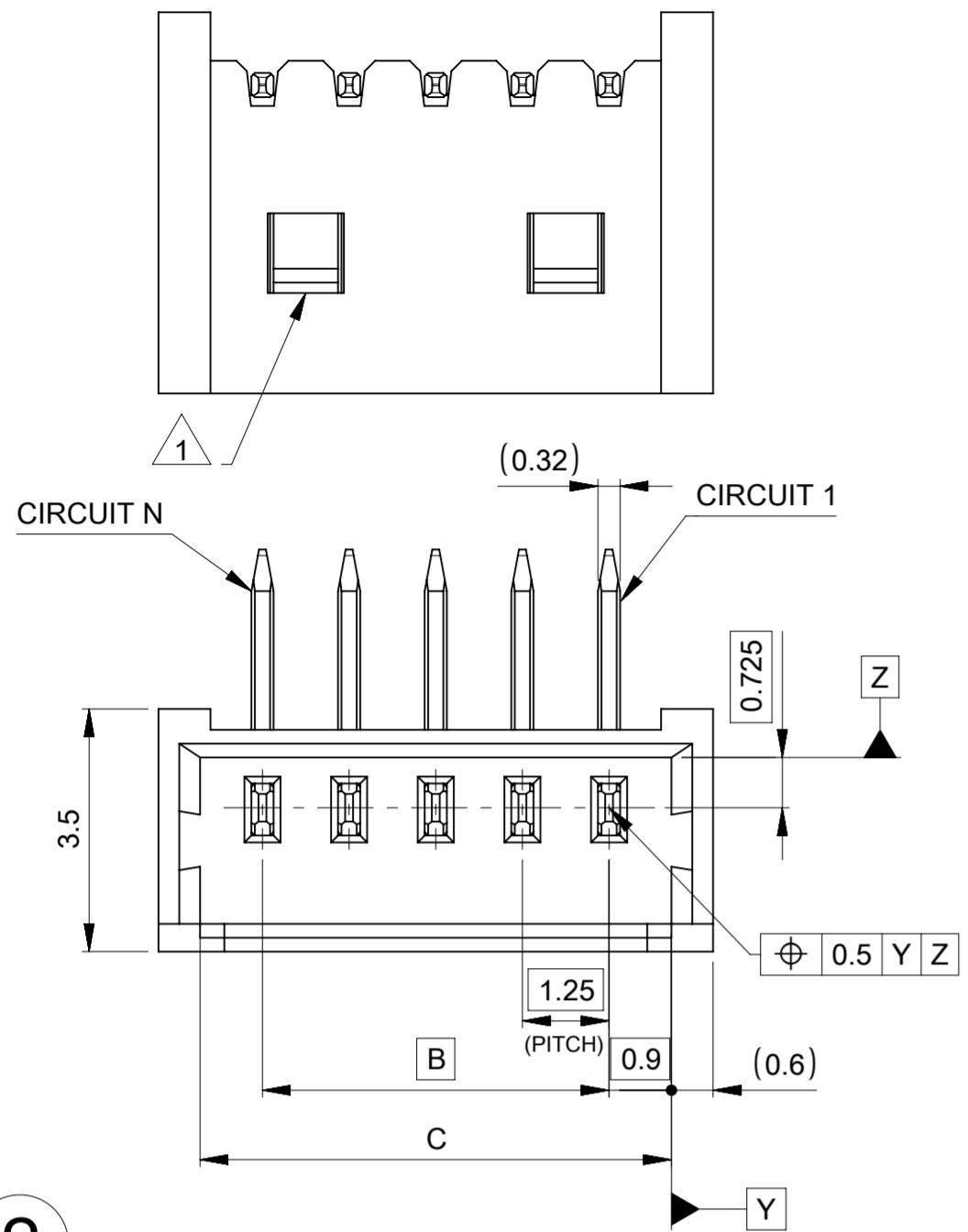
| | |
|----|---|
| 番号 | 接点部 金めっき厚 CONTACT GOLD PLATING THICKNESS |
| 6 | FLASH |
| 5 | 0.38 micro-meters MIN |

| | | | | | | |
|-------|-------|-------|-------|-----------|-----------|----|
| 20.5 | 19.3 | 17.5 | 20.5 | 530481550 | 530481560 | 15 |
| 19.25 | 18.05 | 16.25 | 19.25 | 530481450 | 530481460 | 14 |
| 18 | 16.8 | 15 | 18 | 530481350 | 530481360 | 13 |
| 16.75 | 15.55 | 13.75 | 16.75 | 530481250 | 530481260 | 12 |
| 15.5 | 14.3 | 12.5 | 15.5 | 530481150 | 530481160 | 11 |
| 14.25 | 13.05 | 11.25 | 14.25 | 530481050 | 530481060 | 10 |
| 13 | 11.8 | 10 | 13 | 530480950 | 530480960 | 9 |
| 11.75 | 10.55 | 8.75 | 11.75 | 530480850 | 530480860 | 8 |
| 10.5 | 9.3 | 7.5 | 10.5 | 530480750 | 530480760 | 7 |
| 9.25 | 8.05 | 6.25 | 9.25 | 530480650 | 530480660 | 6 |
| 8 | 6.8 | 5 | 8 | 530480550 | 530480560 | 5 |
| 6.75 | 5.55 | 3.75 | 6.75 | 530480450 | 530480460 | 4 |
| 5.5 | 4.3 | 2.5 | 5.5 | 530480350 | 530480360 | 3 |
| 4.25 | 3.05 | 1.25 | 4.25 | 530480250 | 530480260 | 2 |

| | | | | | | |
|---------------------------------------|---|---|---|---|---------------------------------|---------------|
| D | C | B | A | GOLD PLATING THICKNESS 0.38 micro-meters MIN | GOLD PLATING THICKNESS FLASH | 極数 CRICUIT |
| | | | | △5 オーダー番号 ORDER NO. | | |
| 梱包形態：トレイ梱包 PACKAGING: PLASTIC TRAY | | | | | | |

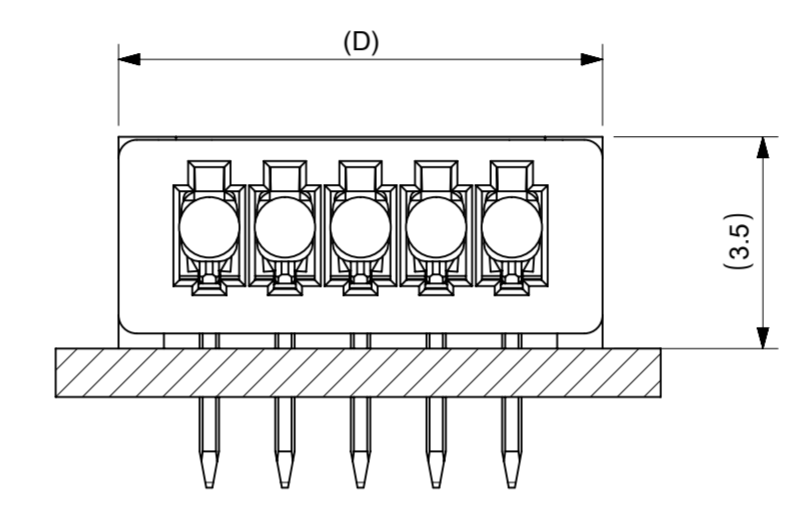
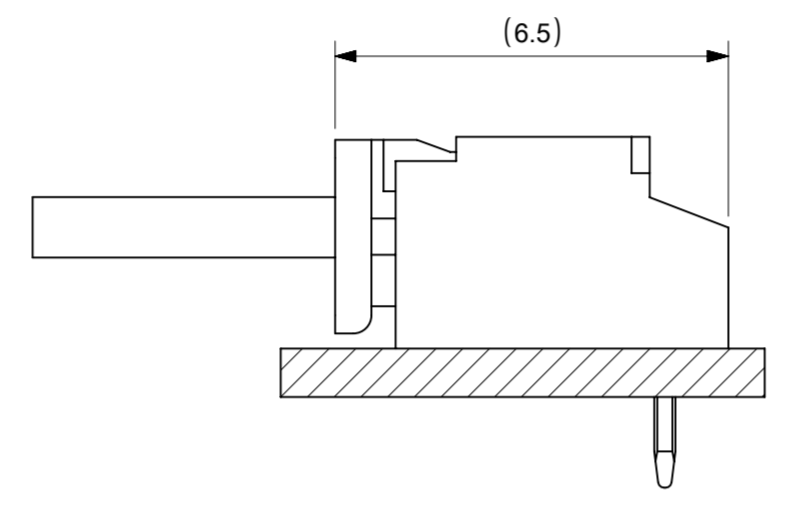
THIS DRAWING CONTAINS INFORMATION THAT IS PROPRIETARY TO MOLEX ELECTRONIC TECHNOLOGIES, LLC AND SHOULD NOT BE USED WITHOUT WRITTEN PERMISSION

| | | | | | | |
|--|--------|------------------------|---|--------------------------------|-----------------|----------|
| DIMENSION UNITS | SCALE | CURRENT REV DESC: | molex | | | |
| mm | NTS | | | | | |
| GENERAL TOLERANCES (UNLESS SPECIFIED) | | | PICOBLADE 1.25 HEADER ASSY TH RIGHT ANGLE GOLD PLATING TYPE | | | |
| ANGULAR TOL | ± 3.0° | EC NO: 738324 | PRODUCT CUSTOMER DRAWING | | | |
| 4 PLACES | ± 0.2 | DRWN: SSATO02 | 2023/01/12 | DOCUMENT NUMBER | | |
| 3 PLACES | ± 0.2 | CHK'D: KOMURAKAMI | 2023/04/20 | DOC TYPE DOC PART REVISION | | |
| 2 PLACES | ± 0.2 | APPR: SAKIYAMA | 2023/04/20 | 530480000-SD | | |
| 1 PLACE | ± 0.2 | INITIAL REVISION: | 2018/10/18 | PSD 000 D | | |
| 0 PLACES | ± 0.2 | DRWN: SOBARA01 | 2018/10/30 | SEE CHART | | |
| DRAFT WHERE APPLICABLE MUST REMAIN WITHIN DIMENSIONS | | THIRD ANGLE PROJECTION | DRAWING | SERIES | MATERIAL NUMBER | CUSTOMER |
| | | | A2-SIZE | 53048 | GENERAL | 1 OF 2 |

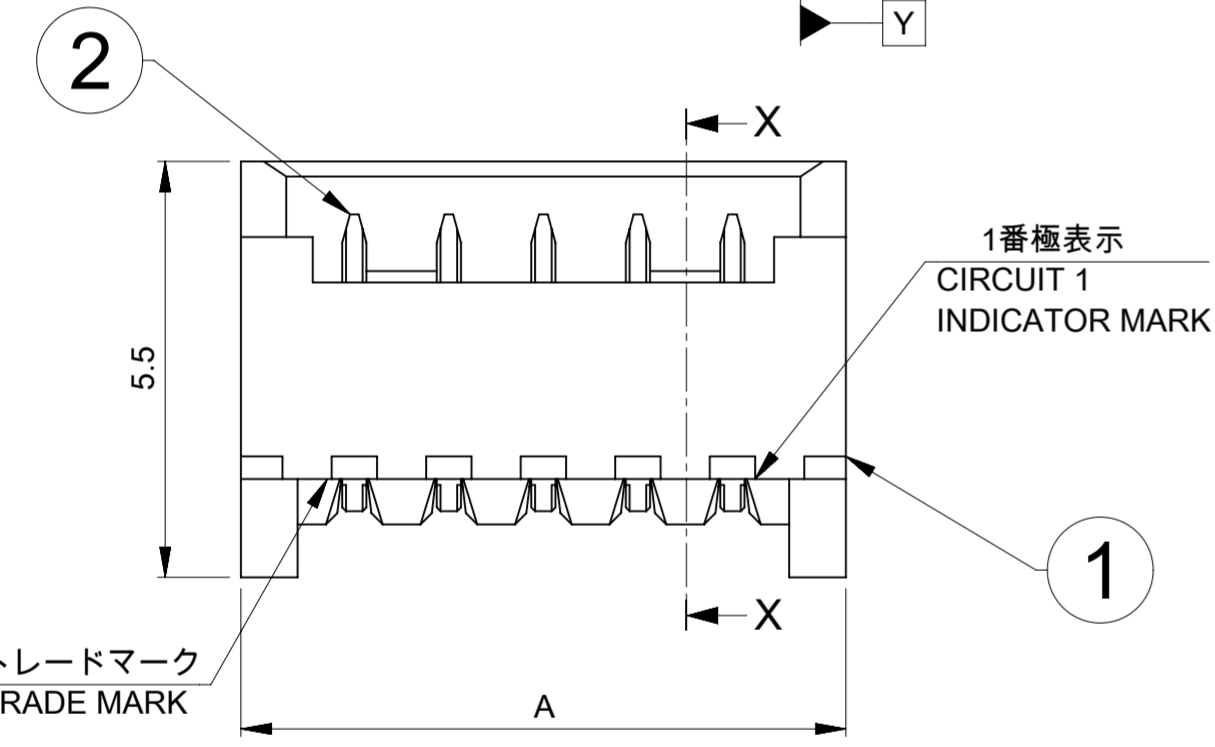
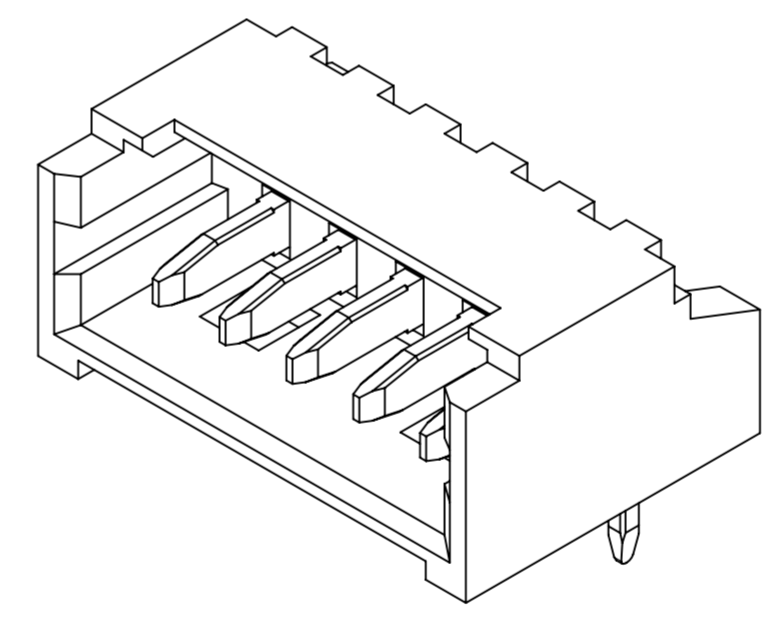
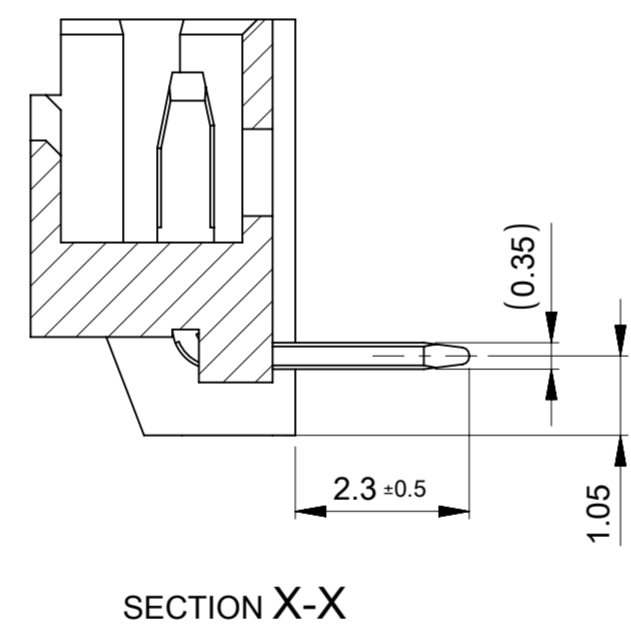


△1 2,3極形状 (1ロック)
FIGURE OF 2, 3 CIRCUIT (1 LOCK)

△1 4~15極形状 (2ロック)
FIGURE OF 4-15 CIRCUIT (2 LOCKS)

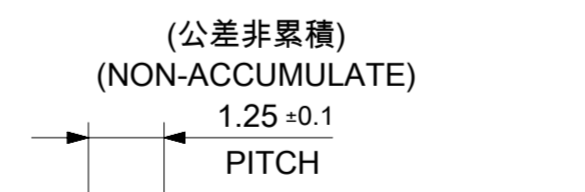


嵌合図
MATED CONNECTORES



△2 TABLE1

| 番号 NO. | 部品 PART | 材質 MATERIAL | |
|-----------|-------------------|---|--|
| ① | ハウジング HOUSING | ポリアミド(PA), UL94V-0, 色：ナチュラル (ホワイト) POLYAMIDE(PA), UL94V-0, COLOR：NATURAL (WHITE) | |
| ② | ターミナル TERMINAL | 母材 MATERIAL | りん青銅 PHOSPHOR BRONZE |
| | | コンタクト部 CONTACT AREA | 金めっき：めっき厚は注記5参照 GOLD PLATING PLATING THICKNESS：SEE NOTE 5. |
| | | テール部 TAIL AREA | 無光沢錫めっき 1.0 micro-meters MIN (リフロー処理) MATTE TIN PLATING 1.0 micro-meters MIN (REFLOW TREATMENT) |
| | | 下地めっき (コンタクト部、テール部) UNDER PLATING (CONTACT, TAIL AREA) | ニッケルめっき 0.5 micro-meters MIN NICKEL PLATING 0.5 micro-meters MIN |



基板取付穴推奨寸法 (t=0.8)
RECOMMENDED P.W.B HOLE DIMENSION (t=0.8)

△ 3 適合製品および各種仕様書
 APPLICABLE PRODUCTS AND SPECIFICATIONS

| | | | | | | |
|--|---------------------|--------------------|------------------------|----------------------|-----------|-----------|
| 梱包仕様書 PACKING SPECIFICATION | PART NUMBER | | | SPECIFICATION NUMBER | | |
| | 53048**** | | | SPK-53048-001 | | |
| 適合嵌合相手 MATE WITH | HOUSING | | CRIMP TERMINAL | | | |
| | 51021**** | WIRE SIZE (AWG) | GOLD PLATING THICKNESS | PART NUMBER | | |
| | | | | #28-32 | FLASH | 500588020 |
| | | #26-28 | 0.38 micro-meters | | 500588025 | |
| | | | FLASH | | 500798020 | |
| 0.38 micro-meters | | 500798025 | | | | |
| 製品仕様書 PRODUCT SPECIFICATION | 510210000-PS PS 000 | | | | | |
| アプリケーション仕様書 (取扱説明書) APPLICATION SPECIFICATION | 510210000-AS PS 000 | | | | | |

| | | | | | | | | | | |
|---|--------|------------------------------|---------|--------|---|----------|--------------|-----|-----|---|
| THIS DRAWING CONTAINS INFORMATION THAT IS PROPRIETARY TO MOLEX ELECTRONIC TECHNOLOGIES, LLC AND SHOULD NOT BE USED WITHOUT WRITTEN PERMISSION | | | | | | | | | | |
| DIMENSION UNITS | SCALE | CURRENT REV DESC: | | | molex | | | | | |
| mm | NTS | | | | | | | | | |
| GENERAL TOLERANCES (UNLESS SPECIFIED) | | | | | PICOBLADE 1.25 HEADER ASSY TH RIGHT ANGLE GOLD PLATING TYPE | | | | | |
| ANGULAR TOL | ± 3.0° | EC NO: 738324 | | | PRODUCT CUSTOMER DRAWING | | | | | |
| 4 PLACES | ± 0.2 | DRWN: SSATO02 2023/01/12 | | | | | | | | |
| 3 PLACES | ± 0.2 | CHK'D: KOMURAKAMI 2023/04/20 | | | | | | | | |
| 2 PLACES | ± 0.2 | APPR: SAKIYAMA 2023/04/20 | | | | | | | | |
| 1 PLACE | ± 0.2 | INITIAL REVISION: | | | DOCUMENT NUMBER | | | | | |
| 0 PLACES | ± 0.2 | DRWN: SOBARA01 2018/10/18 | | | 530480000-SD | | | PSD | 000 | D |
| DRAFT WHERE APPLICABLE MUST REMAIN WITHIN DIMENSIONS | | THIRD ANGLE PROJECTION | DRAWING | SERIES | MATERIAL NUMBER | CUSTOMER | SHEET NUMBER | | | |
| | | | A2-SIZE | 53048 | | GENERAL | 2 OF 2 | | | |