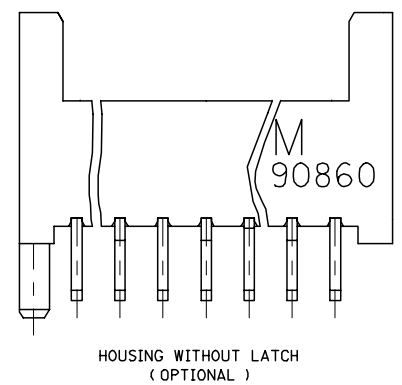
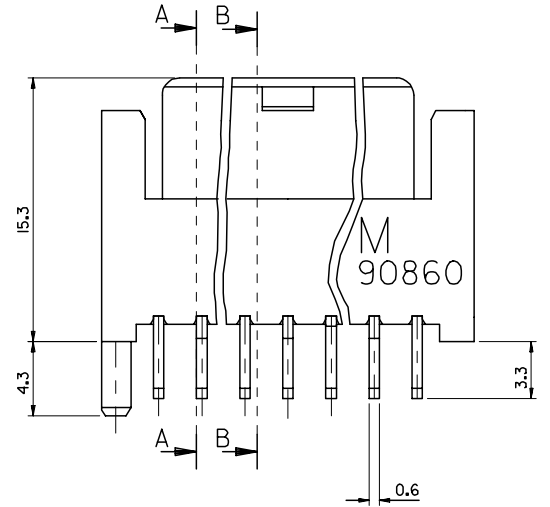
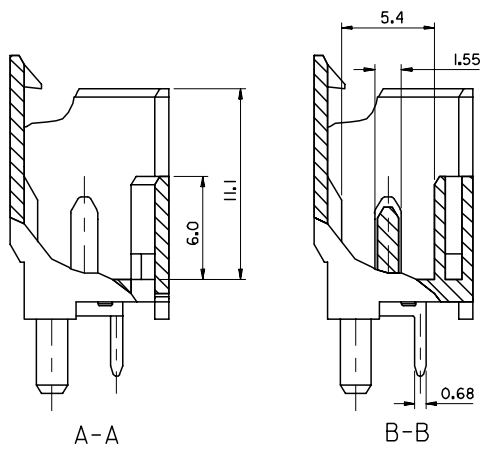
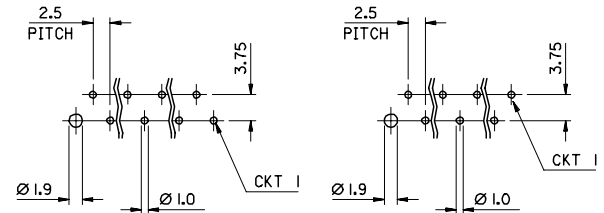
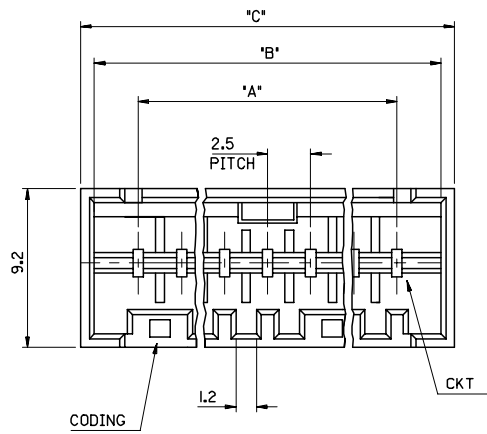


Ckt#	A	B	C
3	5.0	10.1	11.7
4	7.5	12.6	14.2
5	10.0	15.1	16.7
6	12.5	17.6	19.2
7	15.0	20.1	21.7
8	17.5	22.6	24.2
9	20.0	25.1	26.7
10	22.5	27.6	29.2
11	25.0	30.1	31.7
12	27.5	32.6	34.2
13	30.0	35.1	36.7
14	32.5	37.6	39.2
15	35.0	40.1	41.7
16	37.5	42.6	44.2
17	40.0	45.1	46.7
18	42.5	47.6	49.2
19	45.0	50.1	51.7
20	47.5	52.6	54.2

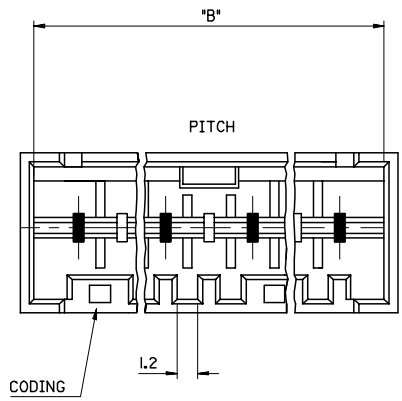


- NOTES :
- MATERIAL : HOUSING- POLYESTER (PBT), UL94 V-0
COLOR: SEE PART NO. CHARTS FOR COLOR
TERMINAL- BRASS
 - PLATING: TERMINAL - 5um TIN, OVER 2.5um NICKLE
 - PARTS PACKED AS PER ES-99039-0011
 - PRODUCT SPECIFICATION PS-99020-0040
 - RECOMMENDED PCB THICKNESS: 1.54mm

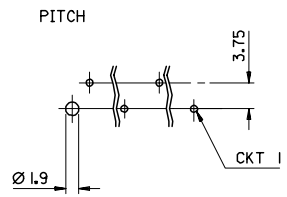
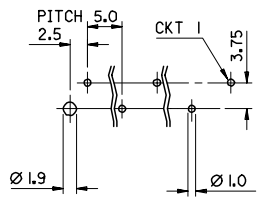
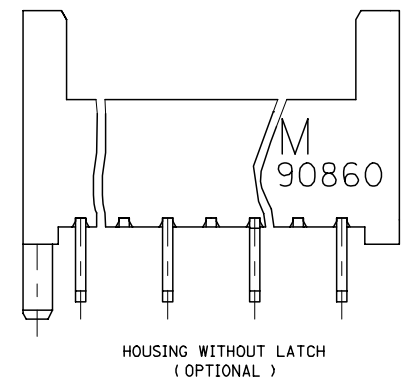
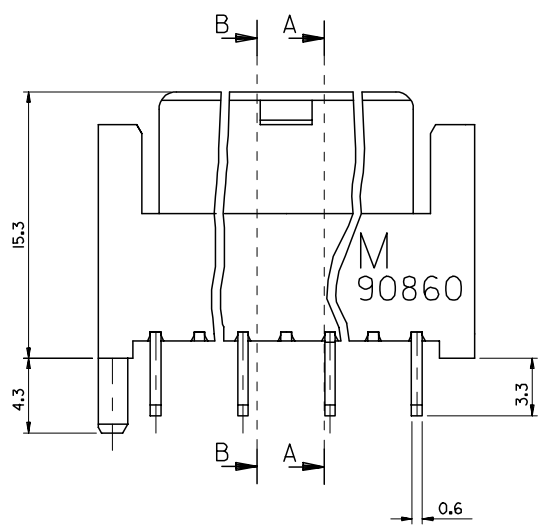
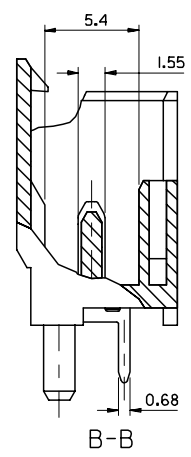
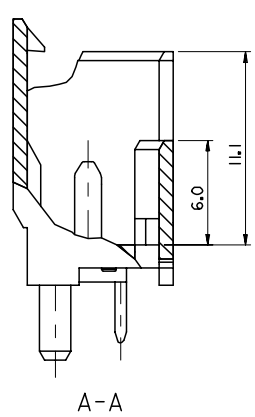
Note 5 Added EC NO: E2008-0068 DRAWN: GRADY 2007/08/24 CHKD: 2007/08/24 APPR: EGMADHONY 2007/08/24 REV DESCRIPTION	QUALITY SYMBOLS	GENERAL TOLERANCES (UNLESS SPECIFIED)	DIMENSION STYLE	SCALE	DESIGN UNITS	THIRD ANGLE PROJECTION
	▽ = ▽ =	4 PLACES ± --- ± --- 3 PLACES ± --- ± --- 2 PLACES ± 0.05 ± --- 1 PLACE ± 0.10 ± --- ANGULAR ± 1/2°	IN/MM	5:1	INCH	
		DRAFT WHERE APPLICABLE MUST REMAIN WITHIN DIMENSIONS	DRAWN BY: EF DATE: 97/04/07 CHECKED BY: _____ DATE: _____ APPROVED BY: _____ DATE: _____	TITLE: RAST 2.5 VERTICAL MALE HEADER 2.5 PITCH MOLEX INCORPORATED		
			MATERIAL NO. SEE CHART	DOCUMENT NO. SDA-90860	SHEET NO. 1 OF 1	

5	B
4	B
3	C
2	A
1	D

Ckt†	A	B	C
2	5.0	10.1	11.7
3	10.0	15.1	16.7
4	15.0	20.1	21.7
5	20.0	25.1	26.7
6	25.0	30.1	31.7
7	30.0	35.1	36.7
8	35.0	40.1	41.7
9	40.0	45.1	46.7
10	45.0	50.1	51.7



- NOTES :
1. MATERIAL : HOUSING- POLYESTER (PBT), UL94 V-0
COLOR: SEE PART NO. CHARTS FOR COLOR
TERMINAL- BRASS
 2. PLATING: TERMINAL - 5um TIN, OVER 2.5um NICKLE
 3. PARTS PACKED AS PER ES-99039-0011
 4. PRODUCT SPECIFICATION PS-99020-0040
 5. RECOMMENDED PCB THICKNESS: 1.54mm



REV	DESCRIPTION
1	Note 5 Added
2	EC NO. E2008-0068
3	DRW: N/GRADY 2007/08/24
4	CHKD: 2007/08/24
5	APPR: E/MAHONY 2007/08/24

QUALITY SYMBOLS	GENERAL TOLERANCES (UNLESS SPECIFIED)
▽=0	mm INCH
▽=0	4 PLACES ± --- ± ---
	3 PLACES ± --- ± ---
	2 PLACES ± --- ± ---
	1 PLACE ± --- ± ---
	ANGULAR ± --- °

DIMENSION STYLE		SCALE	DESIGN UNITS	THIRD ANGLE PROJECTION
MM ONLY		---	METRIC	☑
DRAWN BY	DATE	TITLE		
CHECKED BY	DATE	RAST 2.5 VERTICAL MALE HEADER 5.0 PITCH		
APPROVED BY	DATE			
MATERIAL NO.		DOCUMENT NO.		SHEET NO.
SEE CHART		SDA-90860		2 OF

MATERIAL NO.		DOCUMENT NO.	SHEET NO.
SEE CHART		SDA-90860	2 OF
THIS DRAWING CONTAINS INFORMATION THAT IS PROPRIETARY TO MOLEX INCORPORATED AND SHOULD NOT BE USED WITHOUT WRITTEN PERMISSION			

MOLEX PART NO	CIRCUIT SIZE	COLOUR	BLOCKED POSITION KEYS	TERMINAL VOID POSITION	CONFIGURATION	REF	WITH LATCH	CONTACT PITCH
90860-1501	6	NATURAL	NONE	NONE		K00	YES	2.5
90860-1502	6	NATURAL	d, f	2, 5		K30	YES	2.5
90860-1503	6	NATURAL	c, e	NONE		K46	YES	2.5
90860-1505	6	NATURAL	d, f	NONE		K30	YES	2.5
90860-1506	6	NATURAL	b, d, f	4, 5		N/A	YES	2.5

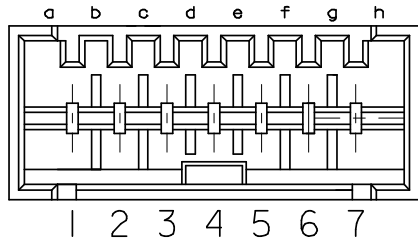
MOLEX PART NO	CIRCUIT SIZE	COLOUR	BLOCKED POSITION KEYS	TERMINAL VOID POSITION	CONFIGURATION	REF	WITH LATCH	CONTACT PITCH
90860-2501	8	NATURAL	NONE	NONE		K00	YES	2.5
90860-2502	8	NATURAL	c f h i	NONE		N/A	YES	2.5

MOLEX PART NO	CIRCUIT SIZE	COLOUR	BLOCKED POSITION KEYS	TERMINAL VOID POSITION	CONFIGURATION	REF	WITH LATCH	CONTACT PITCH
90860-3001	9	NATURAL	NONE	NONE		K00	YES	2.5
90860-3002	9	NATURAL	NONE	2, 5, 8		N/A	YES	2.5

MOLEX PART NO	CIRCUIT SIZE	COLOUR	BLOCKED POSITION KEYS	TERMINAL VOID POSITION	CONFIGURATION	REF	WITH LATCH	CONTACT PITCH
90860-2001	7	NATURAL	NONE	NONE		K00	YES	2.5
90860-0025	7	NATURAL	a d h	NONE		K32	YES	2.5
90860-0026	7	NATURAL	b e g	NONE		K33	YES	2.5
90860-2004	7	NATURAL	a, f	2, 6		N/A	YES	2.5
90860-2005	7	NATURAL	d, g	4		N/A	YES	2.5
90860-2006	7	NATURAL	a, e	4		K94 P91	YES	2.5
90860-2007	7	NATURAL	d, f, g	4		K55	YES	2.5
90860-2008	7	NATURAL	a, f	4		N/A	YES	2.5

MOLEX PART NO	CIRCUIT SIZE	COLOUR	BLOCKED POSITION KEYS	TERMINAL VOID POSITION	CONFIGURATION	REF	WITH LATCH	CONTACT PITCH
90860-3501	10	NATURAL	NONE	NONE		K00	YES	2.5
90860-3502	10	NATURAL	NONE	2, 5, 7, 9		N/A	YES	2.5

MOLEX PART NO	CIRCUIT SIZE	COLOUR	BLOCKED POSITION KEYS	TERMINAL VOID POSITION	CONFIGURATION	REF	WITH LATCH	CONTACT PITCH
90860-4001	11	NATURAL	NONE	NONE		K00	YES	2.5



+ DENOTES VOIDED CIRCUIT
⊕ DENOTES LOADED CIRCUIT

CODING IDENTIFICATION
(7 CKT EXAMPLE SHOWN)
VIEW IN MATING DIRECTION

NEW PART NUMBERS EC NO: E2008-0355 DRAWN: T. TOURISH 2008/02/04 CHKD: B. MAGUIRE 2008/02/07 APPR: B. MAGUIRE 2008/02/07	QUALITY SYMBOLS	GENERAL TOLERANCES (UNLESS SPECIFIED)	DIMENSION STYLE	SCALE	DESIGN UNITS	THIRD ANGLE PROJECTION	
	▽=0 ▽=0	mm INCH	IN/MM	---	INCH		
		4 PLACES ± --- ± --- 3 PLACES ± --- ± --- 2 PLACES ± 0.05 ± --- 1 PLACE ± 0.01 ± ---	DRAWN BY DATE EF 97/04/04	CHECKED BY DATE	TITLE RAST 2.5 VERTICAL MALE HEADER		
		ANGULAR ± 1/2°	APPROVED BY DATE	MATERIAL NO. SEE CHARTS DOCUMENT NO. SDA-90860			
		DRAFT WHERE APPLICABLE MUST REMAIN WITHIN DIMENSIONS	SHEET NO. 4 OF 5				
			THIS DRAWING CONTAINS INFORMATION THAT IS PROPRIETARY TO MOLEX INCORPORATED AND SHOULD NOT BE USED WITHOUT WRITTEN PERMISSION				