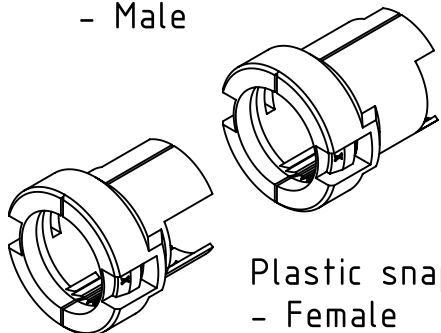



hexagon SW24

SW24

Plastic snap ring
- Male



Plastic snap ring
- Female

| | | | | | | |
|---|--|---|---------------------|------------------------|--|---------------------------------|
|  | All Dimensions in mm Original Size DIN A4 | | Scale 2:1 | Free size tol. | | Ref. |
| | All rights reserved Department EL PD | | Created by DYCKC | Inspected by GRUBES | Standardisation TIEMANNA | Sub. |
| HARTING Electric GmbH & Co. KG D-32339 Espelkamp | | Title M23 ComLock Hood 11-17 mm | | | Date 2019-07-19 | State Final Release |
| | | | | | Doc-Key / ECM-Nr. 100708780/UGD/000/B 500000154908 | |
| | | | | | Type TB | Number 09 15 100 0493 |
| | | | | | Rev. B | Page 1/1 |